

1.11. LED WALL SURFACE LIGHT : (P.01 - P.20)



BOOMING
(P.03)



BONUS75
(P.02)



BOXING
(P.04)



BRIX
(P.18)



CARMEN110
(P.05)



CILIN150
(P.06)



CORNER
(P.08)



CONVENTRY
(P.07)



HORN
(P.09)



LAPUNA.LED
(P.13)



KAISA/GL
(P.10/12)



KAISA/PC
(P.11)

LEAF
(P.14)



MARSEILLE.WM
(P.15)



VERB.WM
(P.15)



SCREEN
(P.18)



RADIUS
(P.16)



SAIL
(P.17)



ULYSSESS
(P.19)



WILSON
(P.20)

For installation of LED Wall Surface Mounted Type
Model : WM8060BNS/R1 , WM8060BNS/R2

IP65



WM8075BNS/R1



WM8075BNS/R2



Front Side Viewing

DESCRIPTION:

Surface wall mounted type light designed for wall surface installation. Die casting aluminum body, clear/frost temper glass as its' diffuser. Available in various finishes : white , grey, black ,etc.,

(E27/G12 turn for another page)

TECHNICAL CHARACTERISTICS:

Type: LED Surface Wall Type
IP Protection degrees: IP65
IK Protection degrees: IK08
Safety Class : Class-I
Working Temperature : -35℃ ~ +65℃
Voltage/Frequency : 100-240V ,50/60HZ



LED SPECIFICATIONS:

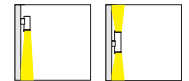
Item No.: WM8075BNS/R1
LEDs: CREE COB 1LED ,6W
LED Source : 3000K/4000K,CRI≥80,350lm

Item No.: WM8075BNS/R2
LEDs: CREE COB 2x1LED ,2x7W
LED Source : 3000K/4000K,CRI≥80, 800lm

PACKING DETAILS:

Carton Size: ---cm
Gross Weight (Kg) : ---Kg
QTY/Carton : ---PC

Carton Size: ---cm
Gross Weight (Kg) : ---Kg
QTY/Carton : ---PC



MATERIALS/FINISHES:

Structure material: Die-casting aluminium
Structure finish: Grey, White, Black, Silver

Diffuser Material:
Toughened temper glass

SAMPLE FOR STICK LABELS:

Product Description **YOUR LOGO®**

3W LED WALL SURFACE LIGHT

Color Temp 3000K	Protection IP65
Power Supply 110-240V AC, 50-60Hz	Power Rate 3W

Product Part #: xxxxxxx

+86 574 62805278
+86 574 62805277
sales@schtlite.com
www.schtlite.com

#49, Changxin Road, Yuyao City, Ningbo Of Zhejiang, China

Stick Label of box & carton

3W LED WALL SURFACE LIGHT **YOUR LOGO®**

Product Part #: xxxxxxx

Power: 3W	Input:110-240V AC,50-60Hz	Protection: IP65
-----------	---------------------------	------------------

Stick Label of Lamp Body

ENERGY LABEL

Not dimmable LED in warm white

A++	A+	A	B	C	D	E
-----	----	---	---	---	---	---

LED

≥80	CRI
2.7	kwh/1000h
65 degree	Beam Angle
6W	Max LED Watt
3000K	Color Temperature
0%~95%	Environmental Humidity
350lm	Minimum luminous flux
-20℃~60℃	Environmental Temperature

Energy Consumption Lable

SCHTLITE LIGHT CO., LIMITED

Office and Factory
#49, Changxin Road, Yuyao City ,Ningbo Of Zhejiang ,China
Tel:+86-574-62805278 Fax:+86-574-62805277
Email : sales@schtlite.com

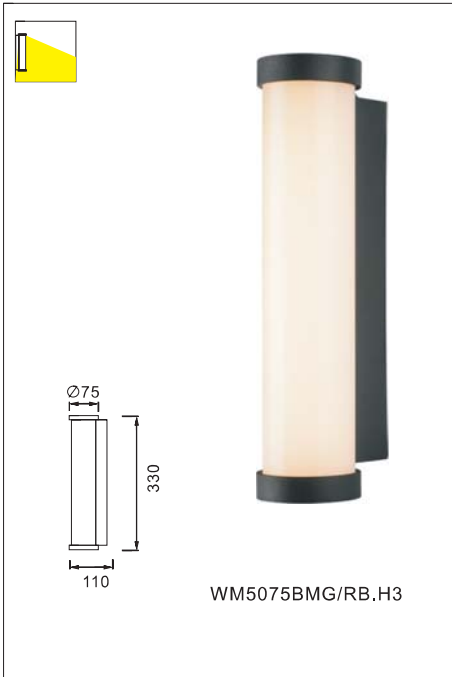
service at alibaba.com
we have our website at alibaba.com
for all of our outdoor series of lighting
with the page :
peterlamps.en.alibaba.com



For installation of LED Wall Surface Mounted Light

Model : WM5075BMG/RB

IP65



DESCRIPTION:

Ground mounted type designed for lawn ground installation. Extruded aluminum body and anti-Shock & anti-UV PMMA as its' diffuser ,

Available in various finishes : white , grey, black , etc.,

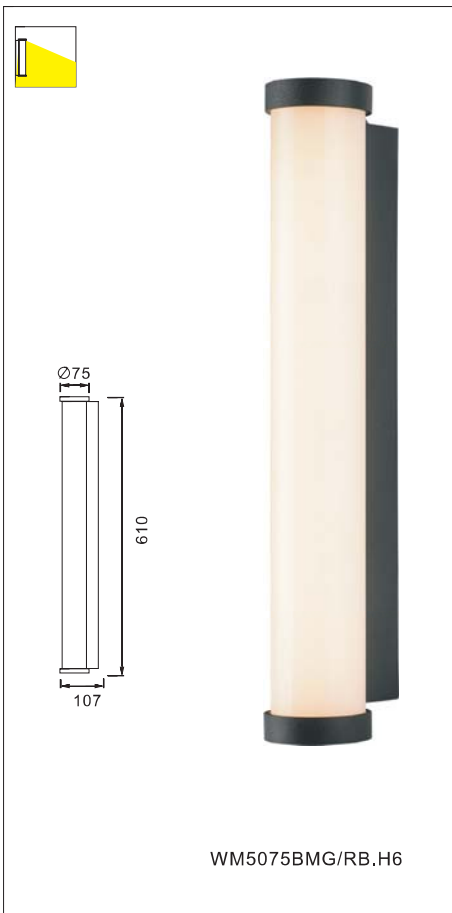
TECHNICAL CHARACTERISTICS:

Type: LED Surface Wall Type
 IP/IK Protection : IP65/IK08
 Safety Class : Class-I
 Working Temperature : -35°C ~ +65°C
 Voltage/Frequency : 100-240V ,50/60HZ



LED SPECIFICATIONS :

Item No.:	WM5075BMG/RB.H3	Item No.:	WM5075BMG/RB.H6
LEDs:	SMD2835 15LEDs,10W,750lm	LEDs:	SMD2835 30LEDs,25W,1800lm
LEDs:	3000K/4000K, CRI≥80	LEDs:	3000K/4000K, CRI≥80



PACKING DETAILS :

Carton Size:	---cm	Carton Size:	---cm
Gross Weight (Kg):	---Kg	Gross Weight (Kg):	---Kg
QTY/Carton :	---PC	QTY/Carton :	---PC



MATERIALS/FINISHES:

Structure material: Die-casting aluminium
 Structure finish: Grey, White, Black, Silver

Diffuser Material:
 Anti-UV PMMA

SAMPLE FOR STICK LABELS:

Product Description **YOUR LOGO®**
15W LED LAWN BOLLARD LIGHT

Color Temp 3000K	Protection IP65
Power Supply 110-240V AC, 50-60Hz	Power Rate 15W

Product Part #: xxxxxxxx

#49, Changxin Road, Yuyao City, Ningbo Of Zhejiang, China

Stick Label of box & carton

15W LED LAWN BOLLARD LIGHT YOUR LOGO®
 Product Part #: xxxxxxxx

Power: 15W	Input:110-240V AC, 50-60Hz	Protection: IP65
------------	----------------------------	------------------

Stick Label of Lamp Body

ENERGY LABEL

Energy Efficiency Class: A++	Power consumption: 2.7 kWh/1000h
Beam Angle: 90 degree	Max LED Watt: 15W
Color Temperature: 3000K	Environmental Humidity: 0%~95%
Minimum luminous flux: 900lm	Environmental Temperature: -35°C~65°C

Energy Consumption Lable

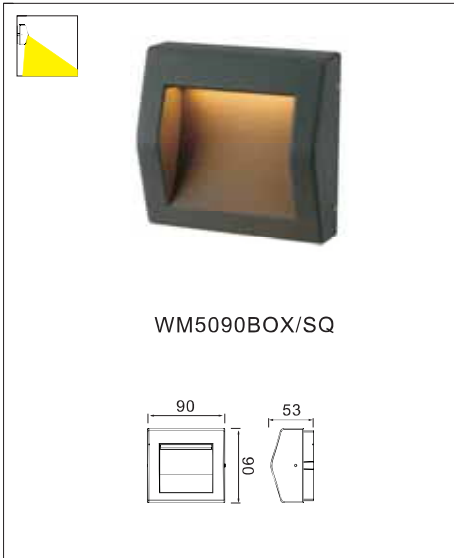
SCHTLITE LIGHT CO., LIMITED

Office and Factory
 #49, Changxin Road, Yuyao City, Ningbo Of Zhejiang, China
 Tel: +86-574-62805278 Fax: +86-574-62805277
 Email: sales@schtlite.com

service at alibaba.com
 we have our website at alibaba.com for all of our outdoor series of lighting with the page :
peterlamps.en.alibaba.com



For installation of LED Wall Surface Mounted Light
Model : WM5090BOX/SQ , WM5140BOX/SQ



DESCRIPTION:

Wall recessed mounted type designed for wall corner installation. Die casting aluminum body and toughened temper glass as its' diffuser, Available in various finishes : white , grey, black , etc.,

(Wall recessed type to checking from "BOX")

TECHNICAL CHARACTERISTICS:

Type: LED Surface Wall Type
IP Protection degrees: IP54
IK Protection degrees: IK08
Safety Class : Class-I
Working Temperature : -35°C ~ +65°C
Voltage/Frequency : 100-240V ,50/60HZ



LED SPECIFICATIONS:

Item No.: WM5090BOX/SQ
LEDs: SMD2835 15LEDs,4W,100lm
LEDs: 3000K/4000K , CRI≥80

LED SPECIFICATIONS:

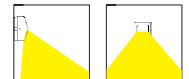
Item No.: WM5140BOX/SQ
LEDs: SMD2835 20LEDs,6W,170lm
LEDs: 3000K/4000K , CRI≥80

PACKING DETAILS:

Carton Size: 52*23*40cm
Gross Weight (Kg): ---kg
QTY/Carton : 40pcs

PACKING DETAILS:

Carton Size: 32*32*44cm
Gross Weight (Kg): ---kg
QTY/Carton : 20pcs



MATERIALS/FINISHES:

Structure material: Die-casting aluminium
Structure finish: Grey, White, Black, Silver

Diffuser Material:
Toughened temper glass

SAMPLE FOR STICK LABELS:



Product Description **YOUR LOGO®**
4W LED SURFACE WALL LIGHT

Color Temp 3000K	Protection IP54
Power Supply 100-240V AC, 50-60Hz	Power Rate 4W

Product Part #: xxxxxxx

+86 574 62805278
+86 574 62805277
sales@schtlite.com
www.schtlite.com

#49, Changxin Road, Yuyao City, Ningbo Of Zhejiang, China

Stick Label of box & carton

4W LED SURFACE WALL LIGHT **YOUR LOGO®**
Product Part #: xxxxxxx

Power: 4W	Input:100-240V AC, 50-60Hz	Protection: IP54
-----------	----------------------------	------------------

Stick Label of Lamp Body

ENERGY **YU YA**
енергия - YUYAO

LED in warm white	LED	≥80	CRI
Not dimmable	2.7	90 degree	kwh/1000h
	4W	3000K	Beam Angle
		0%~95%	Max LED Watt
		100lm	Color Temperature
		-35°C~65°C	Environmental Humidity
			Minimum luminous flux
			Environmental Temperature

Energy Consumption Lable

SCHTLITE LIGHT CO., LIMITED

Office and Factory
#49, Changxin Road, Yuyao City, Ningbo Of Zhejiang, China
Tel: +86-574-62805278 Fax: +86-574-62805277
Email: sales@schtlite.com

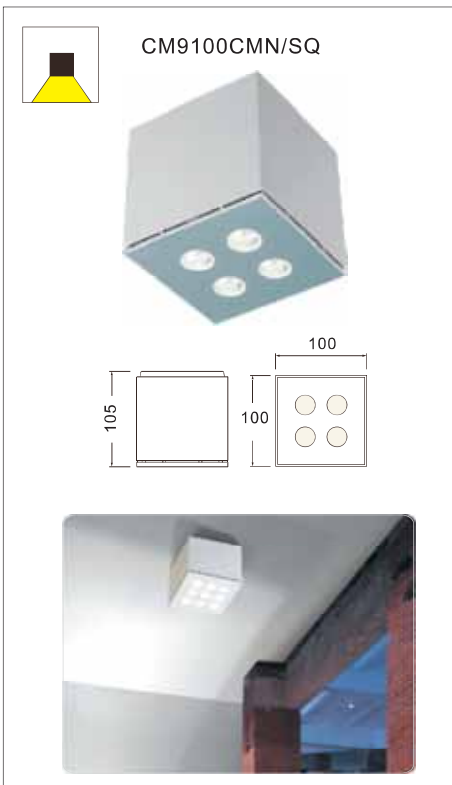
service at alibaba.com
we have our website at alibaba.com
for all of our outdoor series of lighting
with the page :
peterlamps.en.alibaba.com





For installation of LED Wall Surface Mounted Light
Model : WM9100CMN/SQ , CM9100CMN/SQ

IP65



DESCRIPTION:

Surface wall mounted type light designed for wall surface installation. Die casting aluminum body and clear/frost temper glass as its' diffuser .

Available in various finishes : white , grey, black ,etc.,

TECHNICAL CHARACTERISTICS:

Type: LED Surface Wall Type
IP Protection degrees: IP65
IK Protection degrees: IK08
Safety Class : Class-I
Working Temperature : -35°C ~ +65°C
Voltage/Frequency : 100-240V ,50/60HZ

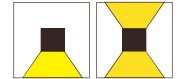


LED SPECIFICATIONS:

Item No.:	CM9100CMN/SQ	Item No.:	WM9100CMN/SQ2
LEDs:	CREE 4LEDs,12W,920lm	LEDs:	CREE 2x4LEDs,2x12W,2x920lm
LEDs:	3000K/4000K , CRI≥80	LEDs:	3000K/4000K , CRI≥80

PACKING DETAILS:

Item No.:	WM9100CMN/SQ1	Item No.:	CM9100CMN/SQ
Carton Size:	34.5*29*35cm	Carton Size:	30.5*30.5*28cm
Gross Weight (Kg):	---kg	Gross Weight (Kg):	---kg
QTY/Carton :	12pcs	QTY/Carton :	8pcs



MATERIALS/FINISHES:

Structure material: Die-casting aluminum
Structure finish: Grey, White, Black, Silver

Diffuser Material:
Toughened temper glass

SAMPLE FOR STICK LABELS:

Product Description **YOUR LOGO®**

12W LED SURFACE WALL LIGHT

Color Temp 3000K	Protection IP65
Power Supply 100-240V AC, 50-60Hz	Power Rate 12W

Product Part #: xxxxxxxx

+86 574 62805278
+86 574 62805277
sales@schtlite.com
www.schtlite.com

#49, Changxin Road, Yuyao City, Ningbo Of Zhejiang, China

Stick Label of box & carton

12W LED SURFACE WALL LIGHT **YOUR LOGO®**

Product Part #: xxxxxxxx

Power: 12W	Input:100-240V AC, 50-60Hz	Protection: IP65
------------	----------------------------	------------------

Stick Label of Lamp Body

ENERGY LABEL

Not dimmable LED in warm white

LED A++ A+ A B C D E

≥80 CRI
2.7 kwh/1000h
90 degree Beam Angle
12W Max LED Watt
3000K Color Temperature
0%~95% Environmental Humidity
920lm Minimum luminous flux
-35°C~65°C Environmental Temperature

Energy Consumption Lable

SCHTLITE LIGHT CO., LIMITED

Office and Factory
#49, Changxin Road, Yuyao City, Ningbo Of Zhejiang, China
Tel: +86-574-62805278 Fax: +86-574-62805277
Email: sales@schtlite.com

service at alibaba.com
we have our website at alibaba.com
for all of our outdoor series of lighting
with the page :
peterlamps.en.alibaba.com



For installation of LED Wall Surface Mounted Type

Model : WM8150CIL/R

IP65



WM8150CIL/R1



WM8150CIL/R2

DESCRIPTION:

Surface wall mounted type light designed for wall surface installation. Die casting aluminum body, clear/frost temper glass as its' diffuser. Available in various finishes : white , grey, black , etc.,

(E27/G12 turn for another page)

TECHNICAL CHARACTERISTICS:

Type: LED Surface Wall Type

IP Protection degrees: IP54

IK Protection degrees: IK08

Safety Class : Class-I

Working Temperature : -35℃ ~ +65℃

Voltage/Frequency : 100-240V ,50/60HZ



LED SPECIFICATIONS:

Item No.: WM8150CIL/R1

LEDs: COB 1LED ,10W/20W

LED Source : 3000K/4000K,CRI≥80

Item No.: WM8150CIL/R2

LEDs: COB 2x1LED ,2x10W/20W

LED Source : 3000K/4000K,CRI≥80

PACKING DETAILS:

Carton Size: ---cm

Gross Weight (Kg) : ---Kg

QTY/Carton : ---PC

Carton Size: ---cm

Gross Weight (Kg) : ---Kg

QTY/Carton : ---PC



MATERIALS/FINISHES:

Structure material: Die-casting aluminium
Structure finish: Grey, White, Black, Silver

Diffuser Material:
Toughened temper glass

SAMPLE FOR STICK LABELS:

Product Description **YOUR LOGO®**

20W LED WALL SURFACE LIGHT

Color Temp 3000K	Protection IP65
Power Supply 110-240V AC, 50-60Hz	Power Rate 20W

Product Part #: xxxxxxxx

+86 574 62805278
+86 574 62805277
sales@schtlite.com
www.schtlite.com

#49, Changxin Road, Yuyao City, Ningbo Of Zhejiang, China

Stick Label of box & carton

20W LED WALL SURFACE LIGHT **YOUR LOGO®**

Product Part #: xxxxxxxx

Power: 20W	Input:110-240V AC,50-60Hz	Protection: IP65
------------	---------------------------	------------------

Stick Label of Lamp Body

ENERGY LABEL

Not dimmable LED in warm white

A++	≥80	CRI
A+	2.7	kwh/1000h
A	105 degree	Beam Angle
B	12W	Max LED Watt
C	3000K	Color Temperature
D	0%~95%	Environmental Humidity
E	780lm	Minimum Luminous flux
	-20℃~60℃	Environmental Temperature

Energy Consumption Lable

SCHTLITE LIGHT CO., LIMITED

Office and Factory
#49, Changxin Road, Yuyao City, Ningbo Of Zhejiang, China
Tel: +86-574-62805278 Fax: +86-574-62805277
Email: sales@schtlite.com

service at alibaba.com
we have our website at alibaba.com
for all of our outdoor series of lighting
with the page :
peterlamps.en.alibaba.com



For installation of LED Wall Surface mounted Type
Model : WM5208CVT/R

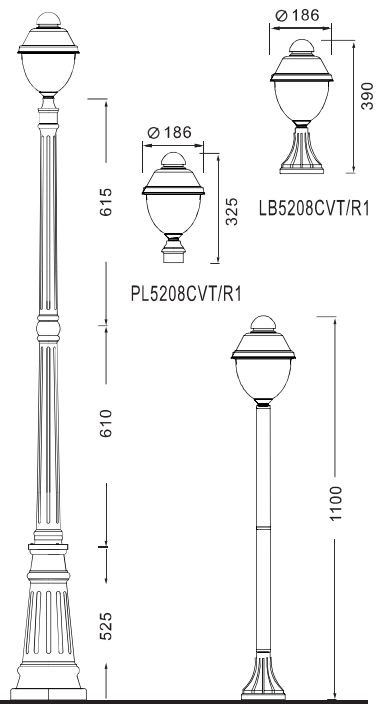
DESCRIPTION:

Wall recessed mounted type designed for wall corner installation. Die casting aluminum body and toughened temper glass as its' diffuser ,

Available in various finishes : white , grey, black , etc.,

TECHNICAL CHARACTERISTICS:

Type:	LED Surface Wall Type
IP Protection degrees:	IP54
IK Protection degrees:	IK08
Safety Class :	Class-I
Working Temperature :	-35°C ~ +65°C
Voltage/Frequency :	100-240V ,50/60HZ



LED SPECIFICATIONS:

Item No.:	WM5280CVT/R
LEDs:	SMD 48LEDs,10W,690lm
LED Source :	3000K/4000K,CRI≥80



MATERIALS/FINISHES:

Structure material: Die-casting aluminium
Structure finish: Grey, White, Black, Silver

Diffuser Material:
 Frost toughened temper glass

SAMPLE FOR STICK LABELS:

Product Description **YOUR LOGO®**
10W LED WALL RECESSED LIGHT

Color Temp 3000K	Protection IP65
Power Supply 100-240V AC, 50-60Hz	Power Rate 10W

Product Part #: xxxxxxxx

+86 574 62805278
 +86 574 62805277
 sales@schtlite.com
 www.schtlite.com

#49, Changxin Road, Yuyao City, Ningbo Of Zhejiang, China

Stick Label of box & carton

10W LED WALL RECESSED LIGHT **YOUR LOGO®**
 Product Part #: xxxxxxxx
 Power: 10W | Input:100-240V AC, 50-60Hz | Protection: IP65

Stick Label of Lamp Body

ENERGY LABEL
 неэнергия - ενεργεια

Not dimmable LED in warm white	A++	≥80	CRI
	A+	2.7	kwh/1000h
	A	105 degree	Beam Angle
	B	10W	Max LED Watt
	C	3000K	Color Temperature
D	0%~95%	Environmental Humidity	
E	960lm	Minimum Luminous flux	
		-20°C~60°C	Environmental Temperature

Energy Consumption Lable

SCHTLITE LIGHT CO., LIMITED

Office and Factory
 #49, Changxin Road, Yuyao City ,Ningbo Of Zhejiang ,China
 Tel: +86-574-62805278 Fax: +86-574-62805277
 Email : sales@schtlite.com

service at alibaba.com
 we have our website at alibaba.com for all of our outdoor series of lighting with the page : peterlamps.en.alibaba.com



For installation of LED Wall Surface Mounted Light
Model : WM5168.215 , WM5168.380



WM5168CON.215



WM5168CON.380

DESCRIPTION:

Wall surface mounted type designed for wall corner installation.
Die casting aluminum body , anti-Shock & anti-UV polyester/PC as its' diffuser ,

Available in various finishes : white , grey, black ,etc.,

TECHNICAL CHARACTERISTICS:

Type: LED Surface Wall Type

IP Protection degrees: IP54

IK Protection degrees: IK08

Safety Class : Class-I

Working Temperature : -35°C ~ +65°C

Voltage/Frequency : 100-240V ,50/60HZ



LED SPECIFICATIONS:

Item No.: WM5168.215
LEDs: SMD2835 48LEDs,12W,780lm
LEDs: 3000K/4000K , CRI≥80

Item No.: WM5168.380
LEDs: SMD2835 96LEDs,24W,1500lm
LEDs: 3000K/4000K , CRI≥80

PACKING DETAILS:

Carton Size: ---cm
Gross Weight (Kg): ---kg
QTY/Carton : ---pcs

Carton Size: ---cm
Gross Weight (Kg): ---kg
QTY/Carton : ---pcs



MATERIALS/FINISHES:

Structure material: Die-casting aluminium
Structure finish: Grey, White, Black, Silver

Diffuser Material:
Anti-UV PC/Polycarbonate

SAMPLE FOR STICK LABELS:

Product Description **YOUR LOGO®**
12W LED SURFACE WALL LIGHT

Color Temp 3000K	Protection IP54
Power Supply 110-240V AC, 50-60Hz	Power Rate 12W
Product Part #: xxxxxxx	

+86 574 62805278
+86 574 62805277
sales@schtlite.com
www.schtlite.com

#49, Changxin Road, Yuyao City, Ningbo Of Zhejiang, China

Stick Label of box & carton

12W LED SURFACE WALL LIGHT **YOUR LOGO®**
Product Part #: xxxxxxx

Power: 12W	Input:220-240V AC, 50-60Hz	Protection: IP54
------------	----------------------------	------------------

Stick Label of Lamp Body

ENERGY LABEL
энергия - это важно

Not dimmable LED in warm white	A++	≥80	CRI			
	A+	2.7		kwh/1000h		
	A	90 degree			Beam Angle	
	B	12W				Max LED Watt
	C	3000K				
D	0%~95%	Environmental Humidity				
E	780lm		Minimum luminous flux			
	-35°C~65°C			Environmental Temperature		

Energy Consumption Lable

SCHTLITE LIGHT CO., LIMITED

Office and Factory
#49, Changxin Road, Yuyao City, Ningbo Of Zhejiang, China
Tel: +86-574-62805278 Fax: +86-574-62805277
Email : sales@schtlite.com

service at alibaba.com
we have our website at alibaba.com for all of our outdoor series of lighting with the page : peterlamps.en.alibaba.com



For installation of LED Wall Surface Mounted Light
Model : WM8068HON/R2, WM8068HON/Q2



WM8068HON/R2

DESCRIPTION:

Wall surface mounted type designed for wall corner installation.
Die casting aluminum body, anti-Shock & anti-UV polyester/PC as its' diffuser,

Available in various finishes : white, grey, black, etc.,

TECHNICAL CHARACTERISTICS:

Type: LED Surface Wall Type

IP Protection degrees: IP54

IK Protection degrees: IK08

Safety Class : Class-I

Working Temperature : -35°C ~ +65°C

Voltage/Frequency : 100-240V, 50/60HZ



LED SPECIFICATIONS:

Item No.: WM8068HON/R2

LEDs: COB 2x1LEDs, 2x5W, 2x480lm

LEDs: 3000K/4000K, CRI≥80

Item No.: WM8068HON/Q2

LEDs: COB 2x1LEDs, 2x5W, 2x480lm

LEDs: 3000K/4000K, CRI≥80

PACKING DETAILS:

Carton Size: 32*37*29.5cm

Gross Weight (Kg): ---kg

QTY/Carton : 30pcs

Carton Size: 32*37*29.5cm

Gross Weight (Kg): ---kg

QTY/Carton : 30pcs



MATERIALS/FINISHES:

Structure material: Die-casting aluminium
Structure finish: Grey, White, Black, Silver

Diffuser Material:
Anti-UV PC/Polycarbonate

SAMPLE FOR STICK LABELS:



WM8068HON/Q2



Product Description **YOUR LOGO®**
2x5W LED SURFACE WALL LIGHT

Color Temp 3000K	Protection IP54
Power Supply 100-240V AC, 50-60Hz	Power Rate 2x5W

Product Part #: xxxxxxx

+86 574 62805278
+86 574 62805277
sales@schtlite.com
www.schtlite.com

#49, Changxin Road, Yuyao City, Ningbo Of Zhejiang, China

Stick Label of box & carton

2x5W LED SURFACE WALL LIGHT **YOUR LOGO®**
Product Part #: xxxxxxx

Power: 2x5W	Input: 220-240V AC, 50-60Hz	Protection: IP54
-------------	-----------------------------	------------------

Stick Label of Lamp Body

ENERGY LABEL
энергия - энергия

Not dimmable LED in warm white	A++	≥80	CRI	
	A+	2.7		kwh/1000h
	A	90 degree		Beam Angle
	B	2x5W		Max LED Watt
	C	3000K		Color Temperature
D	0%~95%	Environmental Humidity		
E	2x480lm	Minimum luminous flux		
	-35°C~65°C	Environmental Temperature		

Energy Consumption Label

SCHTLITE LIGHT CO., LIMITED

Office and Factory
#49, Changxin Road, Yuyao City, Ningbo Of Zhejiang, China
Tel: +86-574-62805278 Fax: +86-574-62805277
Email: sales@schtlite.com

service at alibaba.com
we have our website at alibaba.com
for all of our outdoor series of lighting
with the page :
peterlamps.en.alibaba.com



For installation of LED Wall Surface Mounted Light
Model : WM7220KAS/GL



DESCRIPTION:

Wall surface mounted type designed for wall corner installation. Die casting aluminum body and toughened temper glass as its' diffuser ,

Available in various finishes : white , grey, black , etc.,

TECHNICAL CHARACTERISTICS:

Type: LED Surface Wall Type

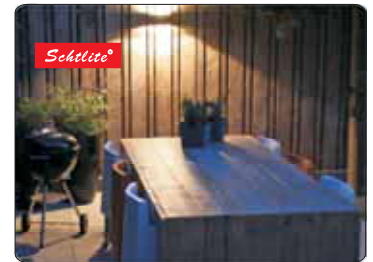
IP Protection degrees: IP65

IK Protection degrees: IK08

Safety Class : Class-I

Working Temperature : -35°C ~ +65°C

Voltage/Frequency : 220-240V ,50/60HZ



LED SPECIFICATIONS: AC LED PCB Powered/No Driver

Item No.: WM7220KAS/GL1	Item No.: WM7220KAS/GL2
LEDs: SMD 60LEDs,12W,980lm	LEDs: SMD 2x60LEDs,2x8W,2x850lm
LEDs: 3000K/4000K , CRI≥80	LEDs: 3000K/4000K , CRI≥80

PACKING DETAILS:

Carton Size: 49.5*25*18.5cm	Carton Size: 32*18*49cm
Gross Weight (Kg): 15kg	Gross Weight (Kg): 16kg
QTY/Carton : 20pcs	QTY/Carton : 20pcs



MATERIALS/FINISHES:

Structure material: Die-casting aluminium
Structure finish: Grey, White, Black, Silver

Diffuser Material: Toughened temper glass

SAMPLE FOR STICK LABELS:



Product Description **YOUR LOGO®**

12W LED SURFACE WALL LIGHT

Color Temp 3000K	Protection IP65
Power Supply 100-240V AC, 50-60Hz	Power Rate 12W

Product Part #: xxxxxxx

+86 574 62805278
 +86 574 62805277
 sales@schtlite.com
 www.schtlite.com

#49, Changxin Road, Yuyao City, Ningbo Of Zhejiang, China

Stick Label of box & carton

12W LED SURFACE WALL LIGHT **YOUR LOGO®**

Product Part #: xxxxxxx

Power: 12W	Input:100-240V AC, 50-60Hz	Protection: IP65
------------	----------------------------	------------------

Stick Label of Lamp Body

ENERGY LABEL

Not dimmable LED in warm white

Energy Efficiency Class: **A++**

Power: 12W

Beam Angle: 90 degree

Color Temperature: 3000K

Environmental Humidity: 0%~95%

Minimum luminous flux: 960lm

Environmental Temperature: -35°C~65°C

CR1 ≥70

kwh/1000h

Max LED Watt

ENERGIA - енергія

Energy Consumption Label

SCHTLITE LIGHT CO., LIMITED

Office and Factory
 #49, Changxin Road, Yuyao City, Ningbo Of Zhejiang, China
 Tel: +86-574-62805278 Fax: +86-574-62805277
 Email: sales@schtlite.com

service at alibaba.com
 we have our website at alibaba.com for all of our outdoor series of lighting with the page : peterlamps.en.alibaba.com



For installation of LED Wall Surface Mounted Light
Model : WM7220KAS/PC



DESCRIPTION:

Wall surface mounted type designed for wall corner installation. Die casting aluminum body and toughened temper glass as its' diffuser ,

Available in various finishes : white , grey, black ,etc.,

TECHNICAL CHARACTERISTICS:

Type: LED Surface Wall Type

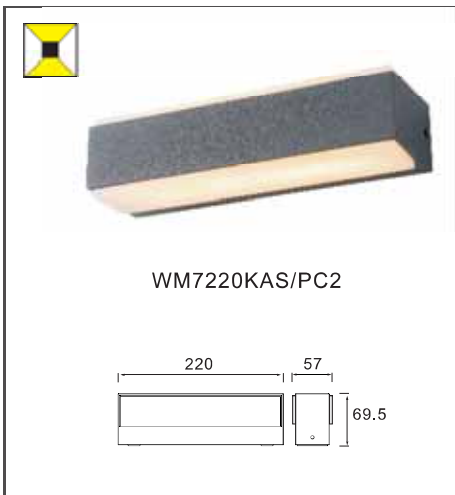
IP Protection degrees: IP65

IK Protection degrees: IK08

Safety Class : Class-I

Working Temperature : -35℃ ~ +65℃

Voltage/Frequency : 220-240V ,50/60HZ



LED SPECIFICATIONS: AC LED PCB Powered/No Driver

Item No.:	WM7220KAS/PC1	Item No.:	WM7220KAS/PC2
LEDs:	SMD 60LEDs,12W,980lm	LEDs:	SMD 2x60LEDs,2x8W,2
LEDs:	3000K/4000K, CRI≥80	LEDs:	3000K/4000K, CRI≥80

PACKING DETAILS:

Carton Size:	49,5*25*18,5cm	Carton Size:	32*18*49cm
Gross Weight (Kg):	15kg	Gross Weight (Kg):	16kg
QTY/Carton :	20pcs	QTY/Carton :	20pcs

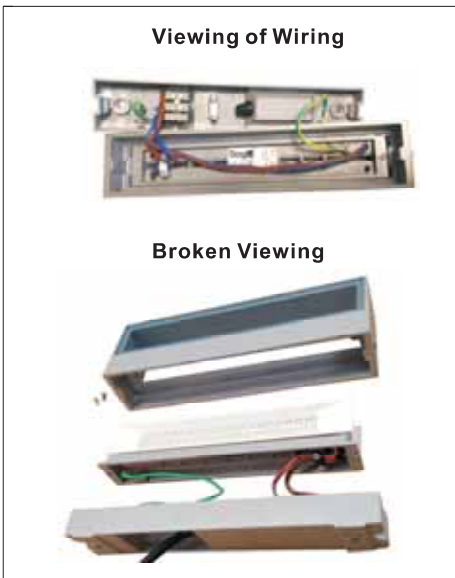


MATERIALS/FINISHES:

Structure material: Die-casting aluminium
 Structure finish: Grey, White, Black, Silver

Diffuser Material:
 Toughened temper glass

SAMPLE FOR STICK LABELS:



Product Description **YOUR LOGO®**

12W LED SURFACE WALL LIGHT

Color Temp 3000K	Protection IP65
Power Supply 100-240V AC, 50-60Hz	Power Rate 12W

Product Part #: xxxxxxx

+86 574 62805278
 +86 574 62805277
 sales@schtlite.com
 www.schtlite.com

#49, Changxin Road, Yuyao City, Ningbo Of Zhejiang, China

Stick Label of box & carton

12W LED SURFACE WALL LIGHT **YOUR LOGO®**

Product Part #: xxxxxxx

Power: 12W	Input:100-240V AC, 50-60Hz	Protection: IP65
------------	----------------------------	------------------

Stick Label of Lamp Body

ENERGY LABEL

Not dimmable LED in warm white

Energy Consumption Table

≥70	CRI
2.7	kwh/1000h
90 degree	Beam Angle
12W	Max LED Watt
3000K	Color Temperature
0%~95%	Environmental Humidity
960lm	Minimum luminous flux
-35℃~65℃	Environmental Temperature

Energy Consumption Table

SCHTLITE LIGHT CO., LIMITED

Office and Factory
 #49, Changxin Road, Yuyao City, Ningbo Of Zhejiang, China
 Tel: +86-574-62805278 Fax: +86-574-62805277
 Email: sales@schtlite.com

service at alibaba.com
 we have our website at alibaba.com
 for all of our outdoor series of lighting
 with the page :
peterlamps.en.alibaba.com



For installation of LED Wall Surface Mounted Light
Model : WM7130KAS/GL1 , WM7380KAS/GL2 , WM7500KAS/GL2



DESCRIPTION:

Wall surface mounted type designed for wall corner installation.
Die casting aluminum body and toughened temper glass as its' diffuser ,

Available in various finishes : white , grey, black , etc.,

TECHNICAL CHARACTERISTICS:

Type: LED Surface Wall Type
IP Protection degrees: IP65
IK Protection degrees: IK08
Safety Class : Class-I
Working Temperature : -35°C ~ +65°C
Voltage/Frequency : 220-240V ,50/60HZ



LED SPECIFICATIONS:

AC LED PCB Powered/No Driver

Item No.:	WM7130KAS/GL1
LEDs:	SMD LEDs,6W,460lm
LEDs:	3000K/4000K , CRI≥80
Item No.:	WM7380KAS/GL2
LEDs:	SMD 2x60LEDs,2x15W,2x1100lm
LEDs:	3000K/4000K , CRI≥80
Item No.:	WM7500KAS/GL2
LEDs:	SMD 2x60LEDs,2x15W,2x1100lm
LEDs:	3000K/4000K , CRI≥80

PACKING DETAILS:

Carton Size:	---cm
Gross Weight (Kg) :	---kg
QTY/Carton :	---pcs
Carton Size:	---cm
Gross Weight (Kg) :	---kg
QTY/Carton :	---pcs
Carton Size:	---cm
Gross Weight (Kg) :	---kg
QTY/Carton :	---pcs



MATERIALS/FINISHES:

Structure material: Die-casting aluminum
Structure finish: Grey, White, Black, Silver

Diffuser Material:
Toughened temper glass

SAMPLE FOR STICK LABELS:



Product Description **YOUR LOGO®**

6W LED SURFACE WALL LIGHT

Color Temp 3000K	Protection IP65
Power Supply 220-240V AC, 50-60Hz	Power Rate 6W

Product Part #: xxxxxxx

+86 574 62805278
+86 574 62805277
sales@schtlite.com
www.schtlite.com

#49, Changxin Road, Yuyao City, Ningbo Of Zhejiang, China

Stick Label of box & carton

6W LED SURFACE WALL LIGHT YOUR LOGO®

Product Part #: xxxxxxx

Power: 6W	Input: 220-240V AC, 50-60Hz	Protection: IP65
-----------	-----------------------------	------------------

Stick Label of Lamp Body

ENERGY LABEL

LED in warm white

Not dimmable

LED

≥80	CRI
2.7	kwh/1000h
90 degree	Beam Angle
6W	Max LED Watt
3000K	Color Temperature
0%~95%	Environmental Humidity
660lm	Minimum luminous flux
-35°C~65°C	Environmental Temperature

Energy Consumption Lable

SCHTLITE LIGHT CO., LIMITED

Office and Factory
#49, Changxin Road, Yuyao City, Ningbo Of Zhejiang, China
Tel: +86-574-62805278 Fax: +86-574-62805277
Email: sales@schtlite.com

service at alibaba.com
we have our website at alibaba.com for all of our outdoor series of lighting with the page :
peterlamps.en.alibaba.com



For installation of LED Wall Surface Mounted Light
Model : WM5220LPN/Q1 , WM5220LPN/Q2

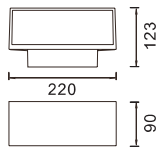
IP65



WM5220LPN/Q2



WM5220LPN/Q1



DESCRIPTION:

Wall surface mounted type designed for wall corner installation. Die casting aluminum body and toughened temper glass as its' diffuser, Available in various finishes : white , grey, black , etc.,

R7s/G24 lamp holder to check from LAPUNA

TECHNICAL CHARACTERISTICS:

Type: LED Surface Wall Type

IP Protection degrees: IP65

IK Protection degrees: IK08

Safety Class : Class-I

Working Temperature : -35°C ~ +65°C

Voltage/Frequency : 100-240V ,50/60HZ



LED SPECIFICATIONS:

Item No.: WM5220LPN/Q1

Item No.: WM5220LPN/Q2

LEDs: SMD2835 36LEDs,8W

LEDs: SMD2835 2x36LEDs,2x8W

LED Source : 3000K/4000K,CRI≥80,720lm

LED Source : 3000K/4000K,CRI≥80,2x720lm

PACKING DETAILS:

Carton Size: 28.5*24.5*23cm

Carton Size: 28.5*24.5*23cm

Gross Weight (Kg) : ---Kg

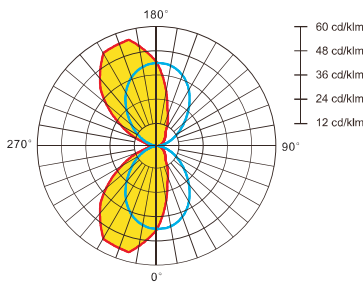
Gross Weight (Kg) : ---Kg

QTY/Carton : 4PC

QTY/Carton : 4PC



CURVING:



MATERIALS/FINISHES:

Structure material: Die-casting aluminium
Structure finish: Grey, White, Black, Silver

Diffuser Material:
Toughened temper glass

SAMPLE FOR STICK LABELS:

Product Description **YOUR LOGO®**

8W LED WALL SURFACE LIGHT

Color Temp 3000K	Protection IP65
Power Supply 110-240V AC, 50-60Hz	Power Rate 8W

Product Part #: xxxxxxx

+86 574 62805278
+86 574 62805277
sales@schtlite.com
www.schtlite.com

#49, Changxin Road, Yuyao City, Ningbo Of Zhejiang, China

Stick Label of box & carton

8W LED WALL SURFACE LIGHT **YOUR LOGO®**

Product Part #: xxxxxxx

Power: 8W	Input:110-240V AC,50-60Hz	Protection: IP65
-----------	---------------------------	------------------

Stick Label of Lamp Body

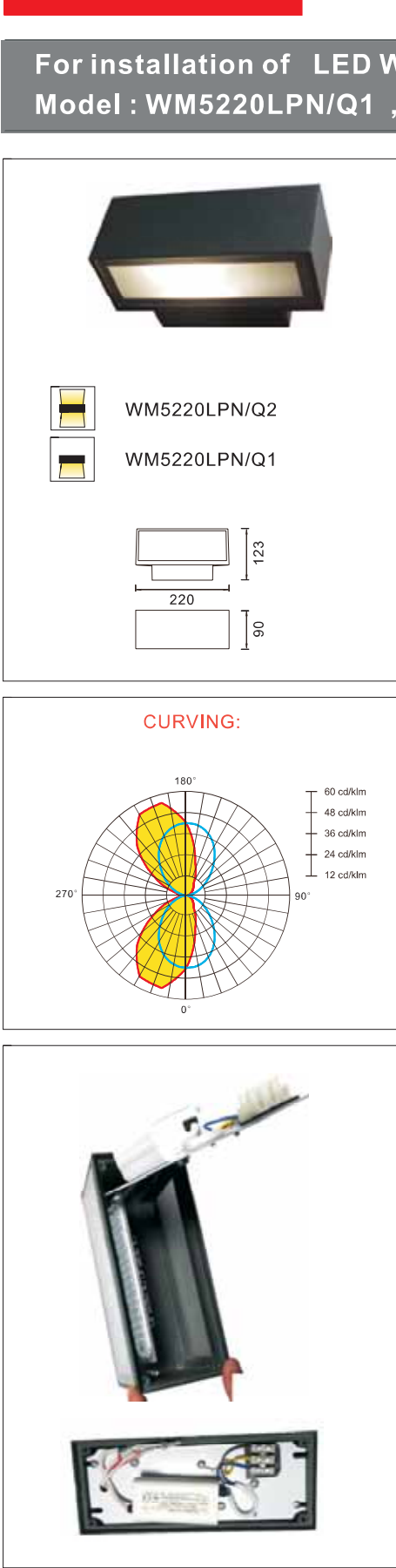
ENERGY LABEL

LED in warm white

Not dimmable

≥80	CRI
2.7	kwh/1000h
105 degree	Beam Angle
8W	Max LED Watt
3000K	Color Temperature
0%~95%	Environmental Humidity
720lm	Minimum Luminous flux
-20°C~60°C	Environmental Temperature

Energy Consumption Lable



SCHTLITE LIGHT CO., LIMITED

Office and Factory
#49, Changxin Road, Yuyao City ,Ningbo Of Zhejiang ,China
Tel:+86-574-62805278 Fax:+86-574-62805277
Email : sales@schtlite.com

service at alibaba.com
we have our website at alibaba.com
for all of our outdoor series of lighting
with the page :
peterlamps.en.alibaba.com



For installation of LED Wall Surface Mounted Light
Model : WM5125LEF/TA , WM5125LEF/TB



DESCRIPTION:

Wall surface mounted type designed for wall corner installation. Die casting aluminum body and toughened temper glass as its diffuser, Available in various finishes : white , grey, black , etc.,

(Wall recessed type to checking from another page)

TECHNICAL CHARACTERISTICS:

Type:	LED Surface Wall Type
IP Protection degrees:	IP54
IK Protection degrees:	IK08
Safety Class :	Class-I
Working Temperature :	-35℃ ~ +65℃
Voltage/Frequency :	100-240V ,50/60HZ

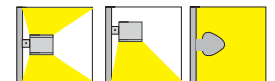


LED SPECIFICATIONS:

Item No.:	WM5125LEF/TA	Item No.:	WM5125LEF/TB
LEDs:	CREE 6LEDs,6W,480lm	LEDs:	CREE 6LEDs,6W,480lm
LEDs:	3000K/4000K , CRI≥80	LEDs:	3000K/4000K , CRI≥80

PACKING DETAILS:

Carton Size:	---cm	Carton Size:	---cm
Gross Weight (Kg) :	---kg	Gross Weight (Kg) :	---kg
QTY/Carton :	---pcs	QTY/Carton :	---pcs



MATERIALS/FINISHES:

Structure material: Die-casting aluminium
Structure finish: Grey, White, Black, Silver

Diffuser Material:
 Anti-UV PMMA

SAMPLE FOR STICK LABELS:

Product Description **YOUR LOGO®**

6W LED SURFACE WALL LIGHT

Color Temp 3000K	Protection IP54
Power Supply 100-240V AC, 50-60Hz	Power Rate 6W

Product Part #: xxxxxxx

+86 574 62805278
 +86 574 62805277
 sales@schtlite.com
 www.schtlite.com

#49, Changxin Road, Yuyao City, Ningbo Of Zhejiang, China

Stick Label of box & carton

6W LED SURFACE WALL LIGHT **YOUR LOGO®**

Product Part #: xxxxxxx

Power: 6W	Input:100-240V AC, 50-60Hz	Protection: IP54
-----------	----------------------------	------------------

Stick Label of Lamp Body

LED ENERGY LABEL

Not dimmable LED in warm white

A++	A+	A	B	C	D	E
-----	----	---	---	---	---	---

ENERGY CLASSIFICATION

≥80	CRI
2.7	kwh/1000h
120 degree	Beam Angle
6W	Max LED Watt
3000K	Color Temperature
0%~95%	Environmental Humidity
480lm	Minimum luminous flux
-35℃~65℃	Environmental Temperature

Energy Consumption Lable

SCHTLITE LIGHT CO., LIMITED

Office and Factory
 #49, Changxin Road, Yuyao City, Ningbo Of Zhejiang, China
 Tel: +86-574-62805278 Fax: +86-574-62805277
 Email: sales@schtlite.com

service at alibaba.com
 we have our website at alibaba.com for all of our outdoor series of lighting with the page :
peterlamps.en.alibaba.com



For installation of LED Wall Surface Mounted Light
Model : WM5125MSL/T , WM5125VRB/T



DESCRIPTION:

Wall surface mounted type designed for wall corner installation. Die casting aluminum body and toughened temper glass as its' diffuser, Available in various finishes : white , grey, black , etc.,

(Wall recessed type to checking from another page)

TECHNICAL CHARACTERISTICS:

Type:	LED Surface Wall Type
IP Protection degrees:	IP54
IK Protection degrees:	IK08
Safety Class :	Class-I
Working Temperature :	-35℃ ~ +65℃
Voltage/Frequency :	100-240V ,50/60HZ



LED SPECIFICATIONS:

Item No.:	WM5125MSL/T	Item No.:	WM5125VRB/T
LEDs:	SMD2835 48LEDs, 12W, 800lm	LEDs:	SMD2835 48LEDs, 12W, 800lm
LEDs:	3000K/4000K , CRI≥80	LEDs:	3000K/4000K , CRI≥80

PACKING DETAILS:

Carton Size:	---cm	Carton Size:	---cm
Gross Weight (Kg) :	---kg	Gross Weight (Kg) :	---kg
QTY/Carton :	---pcs	QTY/Carton :	---pcs



MATERIALS/FINISHES:

Structure material: Die-casting aluminium
Structure finish: Grey, White, Black, Silver

Diffuser Material: Anti-UV PMMA

SAMPLE FOR STICK LABELS:



Product Description **YOUR LOGO®**

12W LED SURFACE WALL LIGHT

Color Temp 3000K	Protection IP54
Power Supply 100-240V AC, 50-60Hz	Power Rate 12W

Product Part #: xxxxxxx

+86 574 62805278
 +86 574 62805277
 sales@schtlite.com
 www.schtlite.com

#49, Changxin Road, Yuyao City, Ningbo Of Zhejiang, China

Stick Label of box & carton

12W LED SURFACE WALL LIGHT **YOUR LOGO®**

Product Part #: xxxxxxx

Power: 12W	Input: 100-240V AC, 50-60Hz	Protection: IP54
------------	-----------------------------	------------------

Stick Label of Lamp Body

ENERGY LABEL

Not dimmable LED in warm white

A++	A+	A	B	C	D	E
-----	----	---	---	---	---	---

LED

≥70	CRI
2.7	kwh/1000h
120 degree	Beam Angle
12W	Max LED Watt
3000K	Color Temperature
0%~95%	Environmental Humidity
800lm	Minimum luminous flux
-35℃~65℃	Environmental Temperature

Energy Consumption Lable

SCHTLITE LIGHT CO., LIMITED

Office and Factory
 #49, Changxin Road, Yuyao City, Ningbo Of Zhejiang, China
 Tel: +86-574-62805278 Fax: +86-574-62805277
 Email: sales@schtlite.com

service at alibaba.com
 we have our website at alibaba.com
 for all of our outdoor series of lighting
 with the page :
peterlamps.en.alibaba.com



For installation of LED Wall Surface Mounted Type
Model : WM5165RDS/R , WM5160RDS/SQ



DESCRIPTION:

Surface wall mounted type light designed for wall surface installation. Die casting aluminum body and toughened temper glass as its' diffuser ,

Available in various finishes : white , grey, black ,etc.,

TECHNICAL CHARACTERISTICS:

Type:	LED Surface Wall Type
IP Protection degrees:	IP54
IK Protection degrees:	IK08
Safety Class :	Class-I
Working Temperature :	-35°C ~ +65°C
Voltage/Frequency :	100-240V ,50/60HZ



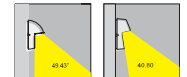
LED SPECIFICATIONS:

Item No.:	WM5165RDS/R WM5150RDS/SQ
LEDs:	SMD 18LEDs,6W
LED Source :	3000K/4000K,CRI≥80,540lm



PACKING DETAILS:

Carton Size:	---cm
Gross Weight (Kg) :	---kg
QTY/Carton :	---pcs

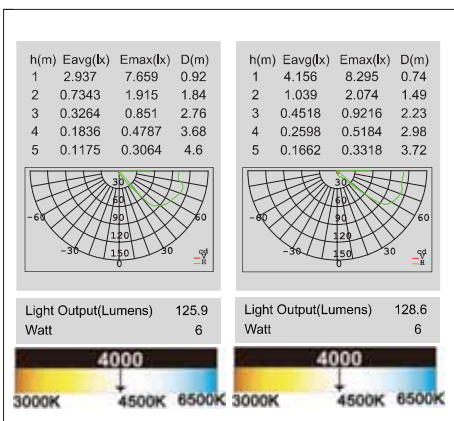


MATERIALS/FINISHES:

Structure material: Die-casting aluminium
Structure finish: Grey, White, Black, Silver

Diffuser Material:
Clear Polycarbonate

SAMPLE FOR STICK LABELS:



Product Description **YOUR LOGO®**

6W LED WALL SURFACE LIGHT

Color Temp 3000K	Protection IP54
Power Supply 100-240V AC, 50-60Hz	Power Rate 6W

Product Part #: xxxxxxx

+86 574 62805278
+86 574 62805277
sales@schtlite.com
www.schtlite.com

#49, Changxin Road, Yuyao City, Ningbo Of Zhejiang, China

Stick Label of box & carton

6W LED WALL SURFACE LIGHT **YOUR LOGO®**

Product Part #: xxxxxxx

Power: 6W	Input:100-240V AC,50-60Hz	Protection: IP54
-----------	---------------------------	------------------

Stick Label of Lamp Body

Not dimmable LED in warm white	A++	LED	ENERGY CLASS	≥80	CRI
	A+			2.7	
LED in warm white	A	LED	ENERGY CLASS	90 degree	Beam Angle
	B			6W	Max LED Watt
	C			3000K	Color Temperature
	D			0%~95%	Environmental Humidity
E	540lm	Minimum luminous flux	-20°C~60°C	Environmental Temperature	

Energy Consumption Lable

SCHTLITE LIGHT CO., LIMITED

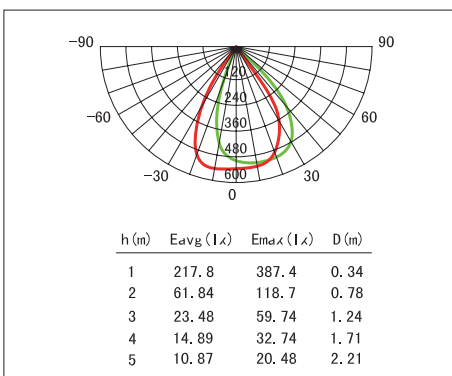
Office and Factory
#49, Changxin Road, Yuyao City, Ningbo Of Zhejiang, China
Tel: +86-574-62805278 Fax: +86-574-62805277
Email: sales@schtlite.com

service at alibaba.com
we have our website at alibaba.com
for all of our outdoor series of lighting
with the page :
peterlamps.en.alibaba.com



For installation of LED Wall Surface Mounted Type

Model : WM9170SAL.H133 , WM9170SAL.H48



DESCRIPTION:

Surface wall mounted type light designed for wall surface installation. Die casting aluminum body and clear/frost temper glass as its' diffuser .

Available in various finishes : white , grey, black ,etc.,

TECHNICAL CHARACTERISTICS:

Type: LED Surface Wall Type
 IP Protection degrees: IP54
 IK Protection degrees: IK08
 Safety Class : Class-I
 Working Temperature : -35°C ~ +65°C
 Voltage/Frequency : 100-240V ,50/60HZ



LED SPECIFICATIONS:

Item No.: WM9170SAL.H133
 LEDs: EPISTAR 2x1LEDs,2x1W
 LED Source : 3000K/4000K,CRI≥70,2x80lm

Item No.: WM9170SAL.H48
 LEDs: EPISTAR 2x1LEDs,2x1W
 LED Source : 3000K/4000K,CRI≥70,2x80lm

PACKING DETAILS:

Carton Size: ---cm
 Gross Weight (Kg): ---kg
 QTY/Carton : ---PC

Carton Size: ---cm
 Gross Weight (Kg): ---kg
 QTY/Carton : ---PC



MATERIALS/FINISHES:

Structure material: Die-casting aluminum
 Structure finish: Grey, White, Black, Silver

Diffuser Material:
 Toughened temper glass

SAMPLE FOR STICK LABELS:

Product Description **YOUR LOGO®**
2x1W LED WALL SURFACE LIGHT

Color Temp 3000K	Protection IP54
Power Supply 110-240V AC, 50-60Hz	Power Rate 2x1W

Product Part #: xxxxxxxx

+86 574 62805278
 +86 574 62805277
 sales@schtlite.com
 www.schtlite.com

#49, Changxin Road, Yuyao City, Ningbo Of Zhejiang, China

Stick Label of box & carton

2x1W LED WALL SURFACE LIGHT **YOUR LOGO®**
 Product Part #: xxxxxxxx
 Power: 2x1W Input: 110-240V AC, 50-60Hz Protection: IP54

Stick Label of Lamp Body

ENERGY LABEL
 энергия - экономия

Not dimmable LED in warm white	A++	≥80	CRI
	A+	2.7	kwh/1000h
	A	105 degree	Beam Angle
	B	2x1W	Max LED Watt
	C	3000K	Color Temperature
D	0%~95%	Environmental Humidity	
E	2x80lm	Minimum luminous flux	
	-20°C~60°C	Environmental Temperature	

Energy Consumption Lable

SCHTLITE LIGHT CO., LIMITED

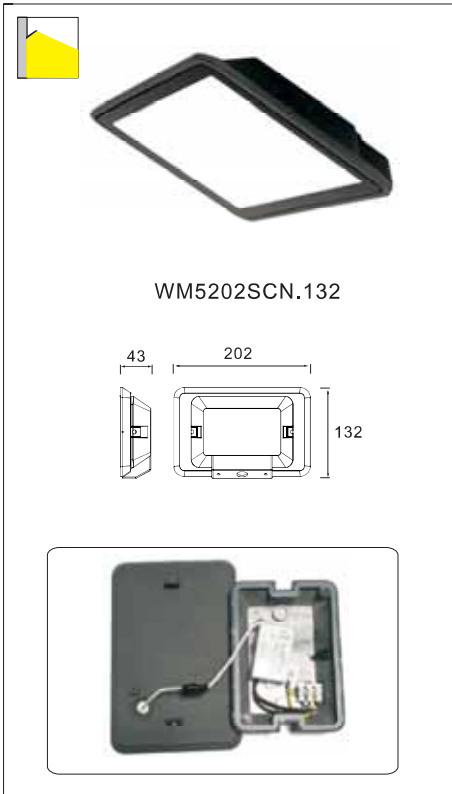
Office and Factory
 #49, Changxin Road, Yuyao City ,Ningbo Of Zhejiang ,China
 Tel: +86-574-62805278 Fax: +86-574-62805277
 Email : sales@schtlite.com

service at alibaba.com
 we have our website at alibaba.com for all of our outdoor series of lighting with the page : peterlamps.en.alibaba.com

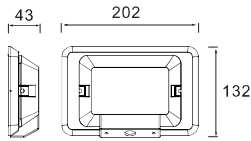


For installation of LED Wall Surface Mounted Light
Model : WM5202SCN.132 , WM5204BRX.106

IP65



WM5202SCN.132



DESCRIPTION:

Wall surface mounted type designed for wall corner installation. Die casting aluminum body and toughened temper glass as its' diffuser , Available in various finishes : white , grey, black , etc.,

(Wall recessed type to checking from another page)

TECHNICAL CHARACTERISTICS:

Type: LED Surface Wall Type
IP Protection degrees: IP65
IK Protection degrees: IK08
Safety Class : Class-I
Working Temperature : -35°C ~ +65°C
Voltage/Frequency : 100-240V ,50/60HZ



LED SPECIFICATIONS:

Item No.:	WM5202SCN.132	Item No.:	WM5204BRX.106
LEDs:	SMD2835 50LEDs,16W,800lm	LEDs:	SMD 48LEDs,10W,960lm
LEDs:	3000K/4000K , CRI≥80	LEDs:	3000K/4000K,CRI≥70

PACKING DETAILS:

Carton Size:	---cm	Carton Size:	---cm
Gross Weight (Kg):	---kg	Gross Weight (Kg):	---kg
QTY/Carton :	---pcs	QTY/Carton :	---pcs



MATERIALS/FINISHES:

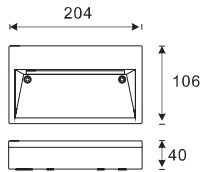
Structure material: Die-casting aluminium
Structure finish: Grey, White, Black, Silver

Diffuser Material:
Toughened temper glass

SAMPLE FOR STICK LABELS:



WM5204BRX.106



Product Description **YOUR LOGO®**

16W LED SURFACE WALL LIGHT

Color Temp 3000K	Protection IP65
Power Supply 1000-240V AC, 50-60Hz	Power Rate 16W

Product Part #: xxxxxxx

+86 574 62805278
+86 574 62805277
sales@schtlite.com
www.schtlite.com

#49, Changxin Road, Yuyao City, Ningbo Of Zhejiang, China

Stick Label of box & carton

16W LED SURFACE WALL LIGHT YOUR LOGO®

Product Part #: xxxxxxx

Power: 16W	Input: 220-240V AC, 50-60Hz	Protection: IP54
------------	-----------------------------	------------------

Stick Label of Lamp Body

ENERGY CLASS

Not dimmable LED in warm white

Energy Class	LED	Value	Unit
A++	≥80	CRI	
A+	2.7	kwh/1000h	
A	120 degree	Beam Angle	
B	16W	Max LED Watt	
C	3000K	Color Temperature	
D	0%~95%	Environmental Humidity	
E	800lm	Minimum Luminous flux	
	-35°C~65°C	Environmental Temperature	

Energy Consumption Lable

SCHTLITE LIGHT CO., LIMITED

Office and Factory
#49, Changxin Road, Yuyao City, Ningbo Of Zhejiang, China
Tel: +86-574-62805278 Fax: +86-574-62805277
Email: sales@schtlite.com

service at alibaba.com
we have our website at alibaba.com for all of our outdoor series of lighting with the page : peterlamps.en.alibaba.com



For installation of LED Wall Surface Mounted Light
 Model : WM7130ULS.55 , WM7170ULS.60 , WM5240ULS.80



WM7130ULS.55

130

55

30

WM7170ULS.60

170

60

31.5

AC LED PCB Powered/No Driver

DESCRIPTION:

Wall surface mounted type designed for wall corner installation.
 Die casting aluminum body and toughened temper glass as its diffuser ,

Available in various finishes : white , grey, black , etc.,

TECHNICAL CHARACTERISTICS:

Type: LED Surface Wall Type

IP Protection degrees: IP65

IK Protection degrees: IK08

Safety Class : Class-I

Working Temperature : -35°C ~ +65°C

Voltage/Frequency : 110/220-240V ,50/60HZ



LED SPECIFICATIONS: AC LED PCB Powered/No Driver

Item No.: WR7130ULS.55
 LEDs: SMD2835 15LEDs,3.5W,150lm
 LEDs: 3000K/4000K , CRI≥80
 Voltage: 220-240V ,50/60HZ

Item No.: WR7170ULS.60
 LEDs: SMD2835 23LEDs,6W,580lm
 LEDs: 3000K/4000K , CRI≥80
 Voltage: 220-240V ,50/60HZ

LED SPECIFICATIONS:

Item No.: WR5240ULS.80
 LEDs: SMD2835 15LEDs,3.5W,150lm
 LEDs: 3000K/4000K , CRI≥80
 Voltage: 110-240V ,50/60HZ



MATERIALS/FINISHES:

Structure material: Die-casting aluminium
 Structure finish: Grey, White, Black, Silver

Diffuser Material:
 Toughened temper glass

SAMPLE FOR STICK LABELS:

Driver by TRIDONIC

WM5240ULS.80

240

80

45

Product Description **YOUR LOGO®**

3.5W LED SURFACE WALL LIGHT

Color Temp 3000K	Protection IP54
Power Supply 100-240V AC, 50-60Hz	Power Rate 3.5W

Product Part #: xxxxxxx

+86 574 62805278

+86 574 62805277

sales@schtlite.com

www.schtlite.com

CLASS I

IP54

IK08

CE

#49, Changxin Road, Yuyao City, Ningbo Of Zhejiang, China

4W LED SURFACE WALL LIGHT YOUR LOGO®

Product Part #: xxxxxxx

Power: 4W	Input:100-240V AC, 50-60Hz	Protection: IP54
-----------	----------------------------	------------------

Stick Label of Lamp Body

Not dimmable LED in warm white

A++

A+

A

B

C

D

E

LED

≥80 CRI

2.7 kwh/1000h

90 degree Beam Angle

3.5W Max LED Watt

3000K Color Temperature

0%~95% Environmental Humidity

315lm Minimum luminous flux

-35°C~65°C Environmental Temperature

ENERGY CLASS

энергия - энергия

Energy Consumption Lable

SCHTLITE LIGHT CO., LIMITED

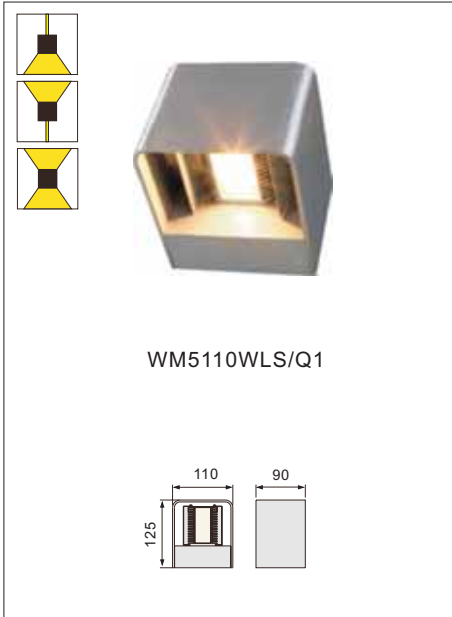
Office and Factory
 #49, Changxin Road, Yuyao City, Ningbo Of Zhejiang, China
 Tel: +86-574-62805278 Fax: +86-574-62805277
 Email: sales@schtlite.com

service at alibaba.com
 we have our website at alibaba.com
 for all of our outdoor series of lighting
 with the page :
peterlamps.en.alibaba.com



For installation of LED Wall Surface Mounted Type
Model : WM5110WLS/Q , WM5160WLS/R

IP65



DESCRIPTION:

Wall surface mounted type designed for wall corner installation.
Die casting aluminum body and toughened temper glass as its' diffuser ,

Available in various finishes : white , grey, black ,etc.,

TECHNICAL CHARACTERISTICS:

Type:	LED Surface Wall Type
IP Protection degrees:	IP65
IK Protection degrees:	IK08
Safety Class :	Class-I
Working Temperature :	-35℃ ~ +65℃
Voltage/Frequency :	100-240V ,50/60HZ



LED SPECIFICATIONS:

Item No.:	WM5110WLS/Q	Item No.:	WR5160WLS/R
LEDs:	SMD2835 2x9LEDs,2x3W	LEDs:	SMD2835 2x18LEDs,2x6W
LED Source :	3000K/4000K,CRI≥70,2x175lm	LED Source :	3000K/4000K,CRI≥70,2x350lm

PACKING DETAILS:

Carton Size:	34*25*21.5cm	Carton Size:	36.5*19.23cm
Gross Weight (Kg) :	---kg	Gross Weight (Kg) :	---kg
QTY/Carton :	8pcs	QTY/Carton :	4pcs

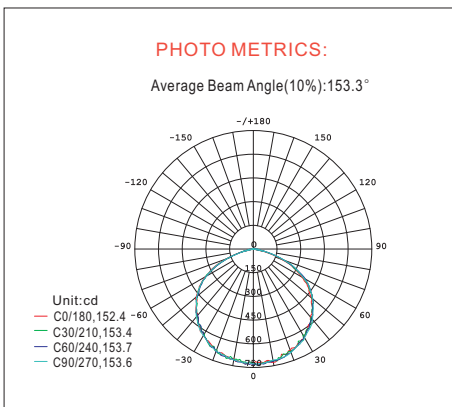


MATERIALS/FINISHES:

Structure material: Die-casting aluminium
Structure finish: Grey, White, Black, Silver

Diffuser Material:
Toughened temper glass

SAMPLE FOR STICK LABELS:



Product Description **YOUR LOGO®**

2x3W LED WALL SURFACE LIGHT

Color Temp 3000K	Protection IP65
Power Supply 110-240V AC, 50-60Hz	Power Rate 2x3W

Product Part #: xxxxxxxx

+86 574 62805278
 +86 574 62805277
 sales@schtlite.com
 www.schtlite.com

#49, Changxin Road, Yuyao City, Ningbo Of Zhejiang, China

Stick Label of box & carton

2x3W LED WALL SURFACE LIGHT **YOUR LOGO®**

Product Part #: xxxxxxxx

Power: 2x3W	Input: 110-240V AC, 50-60Hz	Protection: IP65
-------------	-----------------------------	------------------

Stick Label of Lamp Body

ENERGY LABEL

Not dimmable LED in warm white

A++ A+ A B C D E

≥80	CRI
2.7	kwh/1000h
105 degree	Beam Angle
2x3W	Max LED Watt
3000K	Color Temperature
0%~95%	Environmental Humidity
2x175lm	Minimum luminous flux
-20℃~60℃	Environmental Temperature

Energy Consumption Lable

SCHTLITE LIGHT CO., LIMITED

Office and Factory
#49, Changxin Road, Yuyao City ,Ningbo Of Zhejiang ,China
Tel: +86-574-62805278 Fax: +86-574-62805277
Email : sales@schtlite.com

service at alibaba.com
we have our website at alibaba.com
for all of our outdoor series of lighting
with the page :
peterlamps.en.alibaba.com



1.21. LED WALL RECESS LIGHT : (P.21-32)



B-BOX
(P.22)



↑
BOX
(P.23)



CATANIA
(P.24)



FRAME
(P.25)



LONG-VERSO
(P.27)



FRAME
(P.26)



VICTORIA126
(P.030)



↑
RIYAD
(P.029)



↑
VICTORIA95
(P.029)



↑
VICTORIA140
(P.031)



↑
VICTORIA185
(P.032)



BRIX
(P.22)



For installation of LED Wall Recessed mounted Type
Model : WR5105BBX/SQ, WR5204BRX.106



DESCRIPTION:

Wall recessed mounted type designed for wall corner installation. Die casting aluminum body and toughened temper glass as its' diffuser ,

Available in various finishes : white , grey, black , etc.,

TECHNICAL CHARACTERISTICS:

Type: LED Wall Recessed Type
IP Protection degrees: IP65
IK Protection degrees: IK08
Safety Class : Class-I
Working Temperature : -35°C ~ +65°C
Voltage/Frequency : 100-240V ,50/60HZ



LED SPECIFICATIONS:

Item No.:	WR5105BBX/SQ	Item No.:	WR5204BRX.106
LEDs:	SMD 15LEDs,3W,215lm	LEDs:	SMD 48LEDs,10W,960lm
LED Source :	3000K/4000K,CRI≥80	LED Source :	3000K/4000K,CRI≥80

PACKING DETAILS:

Carton Size:	35*24*32cm	Carton Size:	---cm
Gross Weight (Kg) :	---kgs	Gross Weight (Kg) :	---kgs
QTY/Carton :	24PC	QTY/Carton :	---PC



MATERIALS/FINISHES:

Structure material: Die-casting aluminium
Structure finish: Grey, White, Black, Silver

Diffuser Material:
Frost toughened temper glass

SAMPLE FOR STICK LABELS:

Product Description **YOUR LOGO®**

3W LED WALL RECESSED LIGHT

Color Temp 3000K	Protection IP65
Power Supply 100-240V AC, 50-60Hz	Power Rate 3W

Product Part #: xxxxxxx

#49, Changxin Road, Yuyao City, Ningbo Of Zhejiang, China

Stick Label of box & carton

3W LED WALL RECESSED LIGHT **YOUR LOGO®**

Product Part #: xxxxxxx

Power: 3W	Input:100-240V AC, 50-60Hz	Protection: IP65
-----------	----------------------------	------------------

Stick Label of Lamp Body

ENERGY LABEL

LED in warm white

Not dimmable

Energy Class: A++	Power: 3W	Beam Angle: 105 degree	CRI: ≥70
Power: 3W	Max LED Watt: 3W	Color Temperature: 3000K	Environmental Humidity: 0%~95%
Color Temperature: 3000K	Environmental Humidity: 0%~95%	Minimum Luminous flux: 215lm	Environmental Temperature: -20°C~60°C

Energy Consumption Lable



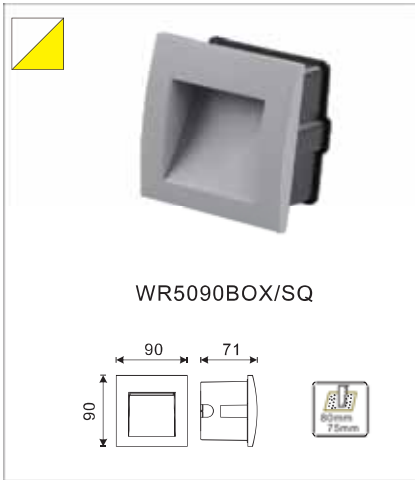
SCHTLITE LIGHT CO., LIMITED

Office and Factory
#49, Changxin Road, Yuyao City, Ningbo Of Zhejiang, China
Tel: +86-574-62805278 Fax: +86-574-62805277
Email: sales@schtlite.com

service at alibaba.com
we have our website at alibaba.com
for all of our outdoor series of lighting
with the page :
peterlamps.en.alibaba.com



For installation of LED Wall Recessed mounted Type
Model : WR5090BOX/SQ , WR5140BOX.70 , WR5140BOX/SQ



DESCRIPTION:

Wall recessed mounted type designed for wall corner installation. Die casting aluminum body and toughened temper glass as its diffuser, Available in various finishes : white , grey, black , etc.,

(Wall Surface mounted type to checking from "BOXING")

TECHNICAL CHARACTERISTICS:

Type: LED Wall Recessed Type
IP Protection degrees: IP65
IK Protection degrees: IK08
Safety Class : Class-I
Working Temperature : -35°C ~ +65°C
Voltage/Frequency : 100-240V ,50/60HZ



LED SPECIFICATIONS:

Item No.:	WR5090BOX/SQ	Item No.:	WR5140BOX.70	Item No.:	WR5140BOX/SQ
LEDs:	SMD 15LEDs,1W,25lm	LEDs:	SMD 15LEDs,3W,90lm	LEDs:	SMD 15LEDs,3W,155lm
LEDs:	3000K/4000K,CRI≥70	LEDs:	3000K/4000K,CRI≥70	LEDs:	3000K/4000K,CRI≥70

PACKING DETAILS:

Carton Size:	51.5*21.5*42cm	Carton Size:	31.5*41.5*42cm	Carton Size:	45.6*45.6*34cm
Gross Weight (Kg):	12Kg	Gross Weight (Kg):	17Kg	Gross Weight (Kg):	18Kg
QTY/Carton:	50PC	QTY/Carton:	50PC	QTY/Carton:	36PC



MATERIALS/FINISHES:

Structure material: Die-casting aluminium
Structure finish: Grey, White, Black, Silver

Diffuser Material:
Frost toughened temper glass

SAMPLE FOR STICK LABELS:

Product Description **YOUR LOGO®**

3W LED WALL RECESSED LIGHT

Color Temp 3000K	Protection IP65
Power Supply 100-240V AC, 50-60Hz	Power Rate 3W

Product Part #: xxxxxxx

+86 574 62805278
+86 574 62805277
sales@schtlite.com
www.schtlite.com

#49, Changxin Road, Yuyao City, Ningbo Of Zhejiang, China

Stick Label of box & carton

6W LED WALL RECESSED LIGHT **YOUR LOGO®**

Product Part #: xxxxxxx

Power: 6W	Input:100-240V AC, 50-60Hz	Protection: IP65
-----------	----------------------------	------------------

Stick Label of Lamp Body

ENERGY LABEL

Not dimmable LED in warm white

A++	A+	A	B	C	D	E
-----	----	---	---	---	---	---

LED

≥80	CRI
2.7	kwh/1000h
105 degree	Beam Angle
3W	Max LED Watt
3000K	Color Temperature
0%~95%	Environmental Humidity
90lm	Minimum luminous flux
-20°C~60°C	Environmental Temperature

Energy Consumption Lable

SCHTLITE LIGHT CO., LIMITED

Office and Factory
#49, Changxin Road, Yuyao City, Ningbo Of Zhejiang, China
Tel: +86-574-62805278 Fax: +86-574-62805277
Email: sales@schtlite.com

service at alibaba.com
we have our website at alibaba.com
for all of our outdoor series of lighting
with the page :
peterlamps.en.alibaba.com

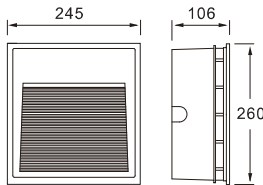


For installation of LED Wall Recessed Mounted Type

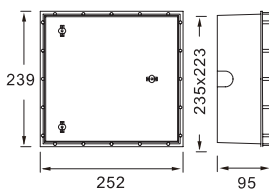
Model : WR5260CAT.245



WR5260CAT.245



RECESS BOX



DESCRIPTION:

Wall recessed mounted type designed for wall corner installation. Die casting aluminum body and prismatic temper glass diffuser. Available in various finishes : white , grey, black , etc.,

(E27/G24 lamp holder optional too from next pages)

TECHNICAL CHARACTERISTICS:

Type: LED Wall Recessed Type
 IP Protection degrees: IP65
 IK Protection degrees: IK08
 Safety Class : Class-I
 Working Temperature : -35°C ~ +65°C
 Voltage/Frequency : 100-240V ,50/60HZ



LED SPECIFICATIONS:

Item No.: WR5260CAT.245W12	Item No.: WR5260CAT.245W8
LEDs: SMD2835 48LEDs, 12W	LEDs: SMD2835 36LEDs, 8W
LED Source : 3000K/4000K,CRI≥80,960lm	LED Source : 3000K/4000K,CRI≥80,680lm

PACKING DETAILS:

Carton Size: 64*27*56cm	Carton Size: 64*27*56cm
Gross Weight (Kg): 25.5Kg	Gross Weight (Kg): 25.5Kg
QTY/Carton : 10PC	QTY/Carton : 10PC



MATERIALS/FINISHES:

Structure material: Die-casting aluminium
Structure finish: Grey, White, Black, Silver

Diffuser Material: Prismatic temper glass

SAMPLE FOR STICK LABELS:

Product Description **YOUR LOGO®**

12W LED WALL RECESSED LIGHT

Color Temp 3000K	Protection IP65
Power Supply 100-240V AC, 50-60Hz	Power Rate 12W

Product Part #: xxxxxxxx

+86 574 62805278
 +86 574 62805277
 sales@schtlite.com
 www.schtlite.com

#49, Changxin Road, Yuyao City ,Ningbo Of Zhejiang, China

Stick Label of box & carton

12W LED WALL RECESSED LIGHT **YOUR LOGO®**

Product Part #: xxxxxxxx

Power: 12W	Input:100-240V AC, 50-60Hz	Protection: IP65
------------	----------------------------	------------------

Stick Label of Lamp Body

ENERGY LABEL

Not dimmable LED in warm white

A++	A+	A	B	C	D	E
-----	----	---	---	---	---	---

LED

≥80	CRI
2.7	kwh/1000h
105 degree	Beam Angle
12W	Max LED Watt
3000K	Color Temperature
0%~95%	Environmental Humidity
960lm	Minimum luminous flux
-20°C~60°C	Environmental Temperature

Energy Consumption Lable

SCHTLITE LIGHT CO., LIMITED

Office and Factory
 #49, Changxin Road, Yuyao City ,Ningbo Of Zhejiang ,China
 Tel:+86-574-62805278 Fax:+86-574-62805277
 Email : sales@schtlite.com

service at alibaba.com
 we have our website at alibaba.com for all of our outdoor series of lighting with the page :
peterlamps.en.alibaba.com





For installation of LED Wall Recessed Mounted Type
Model : WR5123FRM.53 , WR5205FRM.95

IP65



DESCRIPTION:

LED Wall recessed mounted type designed for wall corner installation. Die casting aluminum body and anti-Shock & anti-UV polyester/PC as its' diffuser , Stainless steel 304 trim .

TECHNICAL CHARACTERISTICS:

Type: LED Wall Recessed Type
 IP Protection degrees: IP65
 IK Protection degrees: IK08
 Safety Class : Class-I
 Working Temperature : -35°C ~ +65°C
 Voltage/Frequency : 220-240V ,50/60HZ
 12V AC/DC



LED SPECIFICATIONS:

Item No.:	WR5123FRM/A.53	Item No.:	WR5205FRM/A.95
	WR5123FRM/B.53		WR5205FRM/B.95
LEDs:	SMD2835 12LEDs, 1.5W	LEDs:	SMD2835 56LEDs, 3.5W
LED Source :	3000K/4000K, CRI≥80, 75lm/42lm	LED Source :	3000K/4000K, CRI≥80, 195lm/136lm

PACKING DETAILS:

Carton Size:	46.5*37.5*37cm	Carton Size:	59.5*45*32cm
Gross Weight (Kg) :	15kgs	Gross Weight (Kg) :	17.8kgs
QTY/Carton :	100PC	QTY/Carton :	48PC



MATERIALS/FINISHES:

Structure material: Die-casting aluminium
 Trim finish: stainless steel 304
 Diffuser Material: Anti-UV PC/Polycarbonate

SAMPLE FOR STICK LABELS:

Product Description **YOUR LOGO®**
1.5W LED WALL RECESSED LIGHT

Color Temp 3000K	Protection IP65
Power Supply 220-240V AC, 50-60Hz	Power Rate 1.5W

Product Part #: xxxxxxx

+86 574 62805278
 +86 574 62805277
 sales@schtlite.com
 www.schtlite.com

#49, Changxin Road, Yuyao City, Ningbo Of Zhejiang, China

1.5W LED WALL RECESSED LIGHT **YOUR LOGO®**
 Product Part #: xxxxxxx

Power: 1.5W	Input: 220-240V AC, 50-60Hz	Protection: IP65
-------------	-----------------------------	------------------

Stick Label of Lamp Body

Not dimmable LED in warm white

A++	A+	A	B	C	D	E
-----	----	---	---	---	---	---

LED ENERGY LABEL

≥80	CRI
2.7	kwh/1000h
105 degree	Beam Angle
1.5W	Max LED Watt
3000K	Color Temperature
0%~95%	Environmental Humidity
75lm	Minimum Luminous flux
-20°C~60°C	Environmental Temperature

Energy Consumption Label

SCHTLITE LIGHT CO., LIMITED

Office and Factory
 #49, Changxin Road, Yuyao City, Ningbo Of Zhejiang, China
 Tel: +86-574-62805278 Fax: +86-574-62805277
 Email: sales@schtlite.com

service at alibaba.com
 we have our website at alibaba.com
 for all of our outdoor series of lighting
 with the page :
peterlamps.en.alibaba.com





For installation of LED Wall Recessed Mounted Type
Model : WR5080FRM/SQ , WR5135FRM/SQ

IP65



DESCRIPTION:

LED Wall recessed mounted type designed for wall corner installation. Die casting aluminum body and anti-Shock & anti-UV polyester/PC as its' diffuser , Stainless steel 304 trim .

TECHNICAL CHARACTERISTICS:

Type: LED Wall Recessed Type
 IP Protection degrees: IP65
 IK Protection degrees: IK08
 Safety Class : Class-I
 Working Temperature : -35°C ~ +65°C
 Voltage/Frequency : 220-240V ,50/60HZ
 12V AC/DC



LED SPECIFICATIONS:

Item No.: WR5080FRM/SQA WR5080FRM/SQB	Item No.: WR5135FRM/SQA WR5135FRM/SQB
LEDs: SMD2835 12LEDs, 1.5W	LEDs: SMD2835 56LEDs, 3.5W
LED Source : 3000K/4000K, CRI≥70, 75lm/42lm	LED Source : 3000K/4000K, CRI≥70, 195lm/136lm

PACKING DETAILS:

Carton Size: 46.5*37.5*37cm	Carton Size: 59.5*45*32cm
Gross Weight (Kg) : 15kgs	Gross Weight (Kg) : 17.8kgs
QTY/Carton : 100PC	QTY/Carton : 48PC



MATERIALS/FINISHES:

Structure material: Die-casting aluminium
Trim finish: stainless steel 304
Diffuser Material: Anti-UV PC/Polycarbonate

SAMPLE FOR STICK LABELS:

Product Description **YOUR LOGO®**

1.5W LED WALL RECESSED LIGHT

Color Temp 3000K	Protection IP65
Power Supply 220-240V AC, 50-60Hz	Power Rate 1.5W

Product Part #: xxxxxxx

+86 574 62805278
 +86 574 62805277
 sales@schtlite.com
 www.schtlite.com

#49, Changxin Road, Yuyao City, Ningbo Of Zhejiang, China

Stick Label of box & carton

1.5W LED WALL RECESSED LIGHT YOUR LOGO®

Product Part #: xxxxxxx

Power: 1.5W | Input: 220-240V AC, 50-60Hz | Protection: IP65

Stick Label of Lamp Body

Energy Consumption Label

Not dimmable LED in warm white	A++	≥80	CRI
	A+	2.7	kwh/1000h
	A	105 degree	Beam Angle
	B	1.5W	Max LED Watt
	C	3000K	Color Temperature
	D	0%~95%	Environmental Humidity
	E	75lm	Minimum luminous flux
		-20°C~80°C	Environmental Temperature

SCHTLITE LIGHT CO., LIMITED

Office and Factory
 #49, Changxin Road, Yuyao City, Ningbo Of Zhejiang, China
 Tel: +86-574-62805278 Fax: +86-574-62805277
 Email: sales@schtlite.com

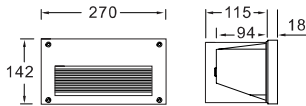
service at alibaba.com
 we have our website at alibaba.com for all of our outdoor series of lighting with the page : peterlamps.en.alibaba.com



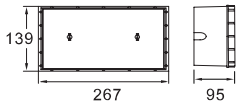
For installation of LED Wall Recessed Mounted Type
Model : WR5260LVS.245



WR5270LVS.142



RECESS BOX



DESCRIPTION:

Wall recessed mounted type designed for wall corner installation. Die casting aluminum body and prismatic temper glass diffuser. Available in various finishes : white , grey, black , etc.,

(E27/G24 lamp holder optional too from next pages)

TECHNICAL CHARACTERISTICS:

Type: LED Wall Recessed Type
 IP Protection degrees: IP65
 IK Protection degrees: IK08
 Safety Class : Class-I
 Working Temperature : -35°C ~ +65°C
 Voltage/Frequency : 100-240V ,50/60HZ



LED SPECIFICATIONS:

Item No.: WR5270LVS.142W12
 LEDs: SMD2835 48LEDs,12W
 LED Source : 3000K/4000K,CRI≥80,960lm

Item No.: WR5270LVS.142W8
 LEDs: SMD2835 36LEDs,8W
 LED Source : 3000K/4000K,CRI≥80,680lm

PACKING DETAILS:

Carton Size: 46.5*26*30cm
 Gross Weight (Kg): 16.2Kg
 QTY/Carton : 8PC

Carton Size: 46.5*26*30cm
 Gross Weight (Kg): 16.2Kg
 QTY/Carton : 8PC



MATERIALS/FINISHES:

Structure material: Die-casting aluminium
 Structure finish: Grey, White, Black, Silver

Diffuser Material:
 Prismatic temper glass

SAMPLE FOR STICK LABELS:

Product Description **YOUR LOGO®**
12W LED WALL RECESSED LIGHT

Color Temp 3000K	Protection IP65
Power Supply 100-240V AC, 50-60Hz	Power Rate 12W

Product Part #: xxxxxxx

+86 574 62805278
 +86 574 62805277
 sales@schtlite.com
 www.schtlite.com

#49, Changxin Road, Yuyao City ,Ningbo Of Zhejiang ,China

Stick Label of box & carton

12W LED WALL RECESSED LIGHT YOUR LOGO®
 Product Part #: xxxxxxx

Power: 12W	Input:100-240V AC, 50-60Hz	Protection: IP65
------------	----------------------------	------------------

Stick Label of Lamp Body

ENERGY LABEL
 A++ A+ A B C D E

≥80	CRI
2.7	kwh/1000h
105 degree	Beam Angle
12W	Max LED Watt
3000K	Color Temperature
0%~95%	Environmental Humidity
960lm	Minimum luminous flux
-20°C~60°C	Environmental Temperature

Energy Consumption Lable

SCHTLITE LIGHT CO., LIMITED

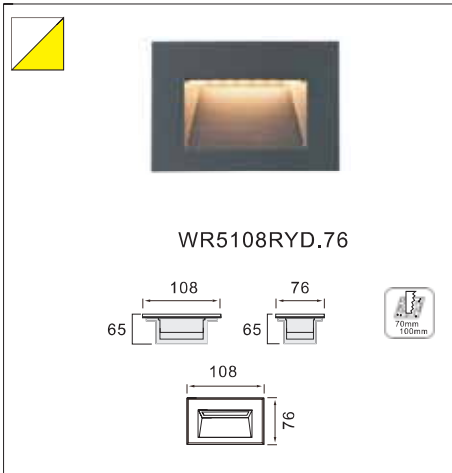
Office and Factory
 #49, Changxin Road, Yuyao City ,Ningbo Of Zhejiang ,China
 Tel:+86-574-62805278 Fax:+86-574-62805277
 Email : sales@schtlite.com

service at alibaba.com
 we have our website at alibaba.com
 for all of our outdoor series of lighting
 with the page :
peterlamps.en.alibaba.com



For installation of LED Wall Recessed Mounted Type
Model : WR5108RYD.76 , WR5160RYD.65

IP65



WR5108RYD.76

DESCRIPTION:

LED Wall recessed mounted type designed for wall corner installation. Die casting aluminum body and anti-Shock & anti-UV polyester/PC as its' diffuser ,

Stainless steel 304 Spring.

TECHNICAL CHARACTERISTICS:

Type: LED Wall Recessed Type

IP Protection degrees: IP65

IK Protection degrees: IK08

Safety Class : Class-I

Working Temperature : -35°C ~ +65°C

Voltage/Frequency : 100-240V ,50/60HZ



WR5160RYD.65

LED SPECIFICATIONS:

Item No.: WR5108RYD.76

LEDs: SMD2835 15LEDs,3W

LED Source : 3000K/4000K,CRI≥80,140lm

Item No.: WR5160RYD.65

LEDs: SMD2835 20LEDs,4W

LED Source : 3000K/4000K,CRI≥70,180lm

PACKING DETAILS:

Carton Size: ---cm

Gross Weight (Kg) : ---kgs

QTY/Carton : ---PC

Carton Size: ---cm

Gross Weight (Kg) : ---kgs

QTY/Carton : ---PC



MATERIALS/FINISHES:

Structure material: Die-casting aluminium
Trim finish: Die-casting aluminium

Diffuser Material:
Anti-UV PC/Polycarbonate

SAMPLE FOR STICK LABELS:



Product Description		YOUR LOGO®	
3W LED WALL RECESSED LIGHT			
Color Temp	3000K	Protection	IP65
Power Supply	220-240V AC, 50-60Hz	Power Rate	3W
Product Part #:	xxxxxxx		
+86 574 62805278 +86 574 62805277 sales@schtlite.com www.schtlite.com			
#49, Changxin Road, Yuyao City, Ningbo Of Zhejiang, China			

Stick Label of box & carton

3W LED WALL RECESSED LIGHT		YOUR LOGO®
Product Part #:		xxxxxxx
Power: 3W	Input:220-240V AC, 50-60Hz	Protection: IP65

Stick Label of Lamp Body

Not dimmable LED in warm white	A++	LED ≥70 CRI 2.7 kwh/1000h 105 degree Beam Angle 3W Max LED Watt 3000K Color Temperature 0%~95% Environmental Humidity 140lm Minimum luminous flux -20°C~60°C Environmental Temperature
	A+	
	A	
	B	
	C	
D		
E		

Energy Consumption Lable

SCHTLITE LIGHT CO., LIMITED

Office and Factory
#49, Changxin Road, Yuyao City ,Ningbo Of Zhejiang ,China
Tel:+86-574-62805278 Fax:+86-574-62805277
Email : sales@schtlite.com

service at alibaba.com
we have our website at alibaba.com
for all of our outdoor series of lighting
with the page :
peterlamps.en.alibaba.com

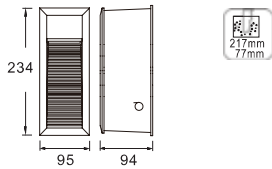


For installation of LED Wall Recessed Mounted Type
Model : WR5234VTR.95 , WR5138VTR.95

IP65



WR5234VTR.95



DESCRIPTION:

Wall recessed mounted type designed for wall corner installation. Die casting aluminum body and anti-Shock & anti-UV polyester/PC as its' diffuser ,

Available in various finishes : white , grey, black , etc.,

TECHNICAL CHARACTERISTICS:

Type: LED Wall Recessed Type
 IP Protection degrees: IP65
 IK Protection degrees: IK08
 Safety Class : Class-I
 Working Temperature : -35°C ~ +65°C
 Voltage/Frequency : 220-240V ,50/60HZ
 12V AC/DC



LED SPECIFICATIONS:

Item No.: WR5234VTR.95	Item No.: WR5138VTR.95
LEDs: SMD2835 15LEDs,1.2W	LEDs: SMD2835 15LEDs,1.2W
LED Source : 3000K/4000K,CRI≥80,75lm	LED Source : 3000K/4000K,CRI≥80,75lm

PACKING DETAILS:

Carton Size: 52*33.5*50cm	Carton Size: 52*44*31cm
Gross Weight (Kg): 17.5Kg	Gross Weight (Kg): 19Kg
QTY/Carton : 30PC	QTY/Carton : 40PC



MATERIALS/FINISHES:

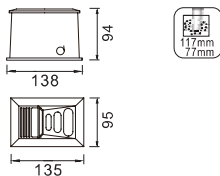
Structure material: Die-casting aluminum
Structure finish: Grey, White, Black, Silver

Diffuser Material: Anti-UV PC/Polycarbonate

SAMPLE FOR STICK LABELS:



WR5138VTR.95



Back Side Viewing

Product Description **YOUR LOGO®**

1.2W LED WALL RECESSED LIGHT

Color Temp 3000K	Protection IP65
Power Supply 100-240V AC, 50-60Hz	Power Rate 1.2W

Product Part #: xxxxxxx

+86 574 62805278
 +86 574 62805277
 sales@schtlite.com
 www.schtlite.com

#49, Changxin Road, Yuyao City, Ningbo Of Zhejiang, China

Stick Label of box & carton

1.2W LED WALL RECESSED LIGHT **YOUR LOGO®**

Product Part #: xxxxxxx

Power: 1.2W | Input:220-240V AC, 50-60Hz | Protection: IP65

Stick Label of Lamp Body

ENERGY CLASS
 A++ A+ A B C D E

LED in warm white

Not dimmable

≥80 CRI
 2.7 kwh/1000h
 90 degree Beam Angle
 1.2W Max LED Watt
 3000K Color Temperature
 0%~95% Environmental Humidity
 75lm Minimum luminous flux
 -35°C~65°C Environmental Temperature

Energy Consumption Lable

SCHTLITE LIGHT CO., LIMITED

Office and Factory
 #49, Changxin Road, Yuyao City, Ningbo Of Zhejiang, China
 Tel: +86-574-62805278 Fax: +86-574-62805277
 Email: sales@schtlite.com

service at alibaba.com
 we have our website at alibaba.com
 for all of our outdoor series of lighting
 with the page :
peterlamps.en.alibaba.com



For installation of LED Wall Recessed Mounted Type
Model : WR5126VTR/R , WR5126VTR/SQ

IP65



DESCRIPTION:

LED Wall recessed mounted type designed for wall corner installation. Die casting aluminum body and anti-Shock & anti-UV polyester/PC as its' diffuser ,

Available in various finishes : white , grey, black ,etc.,

TECHNICAL CHARACTERISTICS:

Type: LED Wall Recessed Type
 IP Protection degrees: IP65
 IK Protection degrees: IK08
 Safety Class : Class-I
 Working Temperature : -35°C ~ +65°C
 Voltage/Frequency : 220-240V ,50/60HZ
 12V AC/DC



LED SPECIFICATIONS:

PACKING DETAILS:

Item No.: WR5126VTR/R
 WR5126VTR/SQ
 LEDs: SMD2835 14LEDs,1.2W
 LED Source : 3000K/4000K,CRI>80,70lm

Carton Size: 37*29*29cm
 Gross Weight (Kg): 14.5Kg
 QTY/Carton : 40PC



MATERIALS/FINISHES:

Structure material: Die-casting aluminum
 Structure finish: Grey, White, Black, Silver

Diffuser Material:
 Anti-UV PC/Polycarbonate

SAMPLE FOR STICK LABELS:



Product Description **YOUR LOGO®**
1.2W LED WALL RECESSED LIGHT

Color Temp 3000K	Protection IP65
Power Supply 220-240V AC, 50-60Hz	Power Rate 1.2W

Product Part #: xxxxxxx

+86 574 62805278
 +86 574 62805277
 sales@schtlite.com
 www.schtlite.com

#49, Changxin Road, Yuyao City, Ningbo Of Zhejiang, China

Stick Label of box & carton

1.2W LED WALL RECESSED LIGHT **YOUR LOGO®**
 Product Part #: xxxxxxx

Power: 1.2W	Input:220-240V AC, 50-60Hz	Protection: IP65
-------------	----------------------------	------------------

Stick Label of Lamp Body

ENERGY CLASSIFICATION
 энергия - энергия

LED in warm white	Not dimmable	LED
-------------------	--------------	-----

≥80	CRI
2.7	kwh/1000h
90 degree	Beam Angle
1.2W	Max LED Watt
3000K	Color Temperature
0%~95%	Environmental Humidity
70lm	Minimum luminous flux
-35°C~65°C	Environmental Temperature

Energy Consumption Lable

SCHTLITE LIGHT CO., LIMITED

Office and Factory
 #49, Changxin Road, Yuyao City ,Ningbo Of Zhejiang ,China
 Tel:+86-574-62805278 Fax:+86-574-62805277
 Email : sales@schtlite.com

service at alibaba.com
 we have our website at alibaba.com
 for all of our outdoor series of lighting
 with the page :
peterlamps.en.alibaba.com



For installation of LED Wall Recessed Mounted Type
Model : WR5234VTR.140 , WR5138VTR.140

IP65



WR5234VTR.140

DESCRIPTION:

Wall recessed mounted type designed for wall corner installation.
Die casting aluminum body and anti-Shock & anti-UV polyester/PC as its' diffuser ,

Available in various finishes : white , grey, black ,etc.,

TECHNICAL CHARACTERISTICS:

Type: LED Wall Recessed Type
IP Protection degrees: IP65
IK Protection degrees: IK08
Safety Class : Class-I
Working Temperature : -35°C ~ +65°C
Voltage/Frequency : 220-240V ,50/60HZ
12V AC/DC



LED SPECIFICATIONS:

Item No.:	WR5234VTR.140	Item No.:	WR5138VTR.140
LEDs:	SMD2835 18LEDs,1.5W	LEDs:	SMD2835 18LEDs,1.5W
LED Source :	3000K/4000K,CRI≥80,90lm	LED Source :	3000K/4000K,CRI≥80,90lm

PACKING DETAILS:

Carton Size:	52*44*49cm	Carton Size:	52*30*30cm
Gross Weight (Kg) :	28Kg	Gross Weight (Kg) :	12Kg
QTY/Carton :	30PC	QTY/Carton :	20PC



MATERIALS/FINISHES:

Structure material: Die-casting aluminum
Structure finish: Grey, White, Black, Silver
Diffuser Material: Anti-UV PC/Polycarbonate

SAMPLE FOR STICK LABELS:



WR5138VTR.140



Back Side Viewing

Product Description **YOUR LOGO®**

1.5W LED WALL RECESSED LIGHT

Color Temp 3000K	Protection IP65
Power Supply 220-240V AC, 50-60Hz	Power Rate 1.5W

Product Part #: xxxxxxx

+86 574 62805278
+86 574 62805277
sales@schtlite.com
www.schtlite.com

#49, Changxin Road, Yuyao City, Ningbo Of Zhejiang, China

Stick Label of box & carton

1.5W LED WALL RECESSED LIGHT **YOUR LOGO®**

Product Part #: xxxxxxx

Power: 1.5W	Input:220-240V AC, 50-60Hz	Protection: IP65
-------------	----------------------------	------------------

Stick Label of Lamp Body

ENERGY CLASS

LED in warm white

Not dimmable

≥80	CRI
2.7	kwh/1000h
90 degree	Beam Angle
1.5W	Max LED Watt
3000K	Color Temperature
0%~95%	Environmental Humidity
90lm	Minimum Luminous flux
-35°C~65°C	Environmental Temperature

Energy Consumption Lable

SCHTLITE LIGHT CO., LIMITED

Office and Factory
#49, Changxin Road, Yuyao City ,Ningbo Of Zhejiang ,China
Tel: +86-574-62805278 Fax: +86-574-62805277
Email : sales@schtlite.com

service at alibaba.com
we have our website at alibaba.com
for all of our outdoor series of lighting
with the page :
peterlamps.en.alibaba.com



For installation of LED Wall Recessed Mounted Type
Model : WR5234VTR.185 , WR5138VTR.185

IP65



WR5234VTR.185



WR5138VTR.185



Back Side Viewing

DESCRIPTION:

Wall recessed mounted type designed for wall corner installation. Die casting aluminum body and anti-Shock & anti-UV polyester/PC as its' diffuser ,

Available in various finishes : white , grey, black , etc.,

TECHNICAL CHARACTERISTICS:

Type: LED Wall Recessed Type
 IP Protection degrees: IP65
 IK Protection degrees: IK08
 Safety Class : Class-I
 Working Temperature : -35°C ~ +65°C
 Voltage/Frequency : 220-240V ,50/60HZ
 12V AC/DC



LED SPECIFICATIONS:

Item No.:	WR5234VTR.185	Item No.:	WR5138VTR.185
LEDs:	SMD2835 27LEDs,2.2W	LEDs:	SMD2835 27LEDs,2.2W
LED Source :	3000K/4000K,CRI≥80,135lm	LED Source :	3000K/4000K,CRI≥80,135lm

PACKING DETAILS:

Carton Size:	52*49*39cm	Carton Size:	52*39*30cm
Gross Weight (Kg):	19Kg	Gross Weight (Kg):	16Kg
QTY/Carton :	20PC	QTY/Carton :	20PC



MATERIALS/FINISHES:

Structure material: Die-casting aluminum
 Structure finish: Grey, White, Black, Silver

Diffuser Material:
 Anti-UV PC/Polycarbonate

SAMPLE FOR STICK LABELS:

Product Description **YOUR LOGO®**

2.2W LED WALL RECESSED LIGHT

Color Temp 3000K	Protection IP65
Power Supply 220-240V AC, 50-60Hz	Power Rate 2.2W

Product Part #: xxxxxxx

+86 574 62805278
 +86 574 62805277
 sales@schtlite.com
 www.schtlite.com

#49, Changxin Road, Yuyao City, Ningbo Of Zhejiang, China

Stick Label of box & carton

2.2W LED WALL RECESSED LIGHT **YOUR LOGO®**

Product Part #: xxxxxxx

Power: 2.2W	Input:220-240V AC, 50-60Hz	Protection: IP65
-------------	----------------------------	------------------

Stick Label of Lamp Body

ENERGY CLASS
 энергия - эффективность

Not dimmable LED in warm white	A++	≥80	CRI
	A+	2.7	kwh/1000h
	A	90 degree	Beam Angle
	B	2.2W	Max LED Watt
	C	3000K	Color Temperature
	D	0%~95%	Environmental Humidity
E	135lm	Minimum luminous flux	
	-35°C~65°C	Environmental Temperature	

Energy Consumption Lable

SCHTLITE LIGHT CO., LIMITED

Office and Factory
 #49, Changxin Road, Yuyao City ,Ningbo Of Zhejiang ,China
 Tel: +86-574-62805278 Fax: +86-574-62805277
 Email : sales@schtlite.com

service at alibaba.com
 we have our website at alibaba.com
 for all of our outdoor series of lighting
 with the page :
peterlamps.en.alibaba.com



1.31. LED WALL BULKHEAD LIGHT : (P.33-45)



ARIA
(P.34)



RETINA.LED
(P.41/42)



CHEST.R
(P.35)



HOBBIT.R/LED
(P.37)



CHEST.SQ
(P.36)



HOBBIT.SQ/LED
(P.38)



OXFORD.LED
(P.39)



RITA.R
(P.43)



RITA.OV
(P.44)



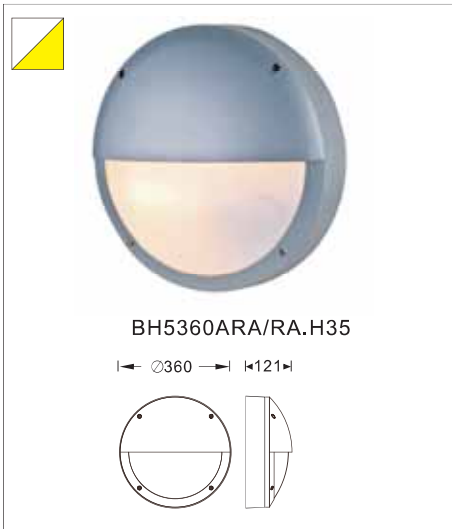
OXFORD.LED
(P.40)



ZEALAND
(P.45)

For installation of LED Wall Surface Mounted Type
Model : BH5360ARA/R.H35

IP65



DESCRIPTION:

Wall surface mounted type light designed for wall surface installation. Die casting aluminum body and anti-Shock & anti-UV polyester/PC as its' diffuser , Available in various finishes : white , grey, black , etc.,

(E27/G24 lamp holder optional too from next pages)

TECHNICAL CHARACTERISTICS:

Type: Wall Surface Mounted Type

IP Protection degrees: IP65

IK Protection degrees: IK08

Safety Class : Class-I

Voltage/Frequency : 100-240V, 50/60HZ



LED SPECIFICATIONS:

Item No.: BH5360ARA/RA.H35
BH5360ARA/RB.H35
BH5360ARA/RC.H35

LEDs: SMD2835 96LEDs,22W

LED Source : 3000K/4000K,CRI≥80,1280lm



BH5360ARA/RA.H35

PACKING DETAILS:

Carton Size: ---cm

Gross Weight (Kg): ---Kg

QTY/Carton : ---PC



BH5360ARA/RB.H35
BH5360ARA/RC.H35



MATERIALS/FINISHES:

Structure material: Die-casting aluminium
Structure finish: Grey, White, Black, Silver

Diffuser Material:
Anti-UV PC/Polycarbonate

SAMPLE FOR STICK LABELS:

Product Description **YOUR LOGO®**

22W LED WALL MOUNTED LIGHT

Color Temp 3000K	Protection IP65
Power Supply 100-240V AC, 50-60Hz	Power Rate 22W

Product Part #: xxxxxxxx

+86 574 62805278
+86 574 62805277
sales@schtlite.com
www.schtlite.com

#49, Changxin Road, Yuyao City, Ningbo Of Zhejiang, China

Stick Label of box & carton

22W LED WALL MOUNTED LIGHT **YOUR LOGO®**

Product Part #: xxxxxxxx

Power: 22W	Input: 100-240V AC, 50-60Hz	Protection: IP65
------------	-----------------------------	------------------

Stick Label of Lamp Body

ENERGY LABEL
енергия - енергия

LED

≥80	CRI
2.7	kwh/1000h
105 degree	Beam Angle
22W	Max LED Watt
3000K	Color Temperature
0%~95%	Environmental Humidity
1280lm	Minimum luminous flux
-20℃~60℃	Environmental Temperature

Not dimmable
LED in warm white

Energy Consumption Label

SCHTLITE LIGHT CO., LIMITED

Office and Factory
#49, Changxin Road, Yuyao City, Ningbo Of Zhejiang, China
Tel: +86-574-62805278 Fax: +86-574-62805277
Email: sales@schtlite.com

service at alibaba.com
we have our website at alibaba.com
for all of our outdoor series of lighting
with the page :
peterlamps.en.alibaba.com



For installation of LED Wall Surface Mounted Type
Model : BH5170CHT/R

IP65



DESCRIPTION:

Wall surface mounted type light designed for wall surface installation. Die casting aluminum body and anti-Shock & anti-UV polyester/PC as its' diffuser , Available in various finishes : white , grey, black , etc.,

(Different LED specification to be order else)

TECHNICAL CHARACTERISTICS:

Type: Wall Surface Mounted Type
IP Protection degrees: IP65
IK Protection degrees: IK08
Safety Class : Class-I
Working Temperature : 100-240V, 50/60HZ
Voltage/Frequency :



LED SPECIFICATIONS:

Item No.: BH5170CHT/RA
BH5170CHT/RB
LEDs: SMD2835 48LEDs, 12W
LED Source : 3000K/4000K, CRI>80, 780lm



PACKING DETAILS:

Carton Size: ---cm	Carton Size: ---cm
Gross Weight (Kg): ---Kg	Gross Weight (Kg): ---Kg
QTY/Carton : ---PC	QTY/Carton : ---PC



MATERIALS/FINISHES:

Structure material: Die-casting aluminium
Structure finish: Grey, White, Black, Silver
Diffuser Material: Anti-UV PC/Polycarbonate

SAMPLE FOR STICK LABELS:



Product Description **YOUR LOGO®**
12W LED WALL MOUNTED LIGHT

Color Temp 3000K	Protection IP65
Power Supply 100-240V AC, 50-60Hz	Power Rate 12W

Product Part #: xxxxxxxx

+86 574 62805278
+86 574 62805277
sales@schtlite.com
www.schtlite.com

#49, Changxin Road, Yuyao City, Ningbo Of Zhejiang, China

Stick Label of box & carton

12W LED WALL MOUNTED LIGHT **YOUR LOGO®**
Product Part #: xxxxxxxx

Power: 12W	Input: 100-240V AC, 50-60Hz	Protection: IP65
------------	-----------------------------	------------------

Stick Label of Lamp Body

ENERGY CLASSIFICATION
не́ргия · эне́ргия

LED in warm white	Not dimmable	LED	≥80 CRI
A++	2.7	105 degree	kwh/1000h
A+	12W	Max LED Watt	Beam Angle
A	3000K	Color Temperature	0%~95% Environmental Humidity
B	780lm	Minimum luminous flux	-20℃~80℃ Environmental Temperature
C			
D			
E			

Energy Consumption Lable

SCHTLITE LIGHT CO., LIMITED

Office and Factory
#49, Changxin Road, Yuyao City, Ningbo Of Zhejiang, China
Tel: +86-574-62805278 Fax: +86-574-62805277
Email: sales@schtlite.com

service at alibaba.com
we have our website at alibaba.com for all of our outdoor series of lighting with the page : peterlamps.en.alibaba.com



For installation of LED Wall Surface Mounted Type
Model : BH5160CHT/Q

IP65



DESCRIPTION:

Wall surface mounted type light designed for wall surface installation. Die casting aluminum body and anti-Shock & anti-UV polyester/PC as its' diffuser , Available in various finishes : white , grey, black , etc.,

(Different LED specification to be order else)

TECHNICAL CHARACTERISTICS:

Type: Wall Surface Mounted Type
IP Protection degrees: IP65
IK Protection degrees: IK08
Safety Class : Class-I
Working Temperature : 100-240V, 50/60HZ
Voltage/Frequency :



LED SPECIFICATIONS:

Item No.: BH5160CHT/QA
BH5160CHT/QB
LEDs: SMD2835 48LEDs,12W
LED Source : 3000K/4000K,CRI≥80,780lm



PACKING DETAILS:

Carton Size: ---cm	Carton Size: ---cm
Gross Weight (Kg): ---Kg	Gross Weight (Kg): ---Kg
QTY/Carton : ---PC	QTY/Carton : ---PC



MATERIALS/FINISHES:

Structure material: Die-casting aluminium
Structure finish: Grey, White, Black, Silver
Diffuser Material: Anti-UV PC/Polycarbonate

SAMPLE FOR STICK LABELS:



Product Description **YOUR LOGO®**

12W LED WALL MOUNTED LIGHT

Color Temp 3000K	Protection IP65
Power Supply 100-240V AC, 50-60Hz	Power Rate 12W

Product Part #: xxxxxxxx

+86 574 62805278
+86 574 62805277
sales@schtlite.com
www.schtlite.com

#49, Changxin Road, Yuyao City, Ningbo Of Zhejiang, China

Stick Label of box & carton

12W LED WALL MOUNTED LIGHT **YOUR LOGO®**

Product Part #: xxxxxxxx

Power: 12W	Input: 100-240V AC,50-60Hz	Protection: IP65
------------	----------------------------	------------------

Stick Label of Lamp Body

ENERGY LABEL

Not dimmable LED in warm white

A++	≥80	CRI
A+	2.7	kwh/1000h
A	105 degree	Beam Angle
B	12W	Max LED Watt
C	3000K	Color Temperature
D	0%~95%	Environmental Humidity
E	780lm	Minimum luminous flux
	-20℃~60℃	Environmental Temperature

Energy Consumption Lable

SCHTLITE LIGHT CO., LIMITED

Office and Factory
#49, Changxin Road, Yuyao City ,Ningbo Of Zhejiang ,China
Tel: +86-574-62805278 Fax: +86-574-62805277
Email : sales@schtlite.com

service at alibaba.com
we have our website at alibaba.com for all of our outdoor series of lighting with the page : peterlamps.en.alibaba.com

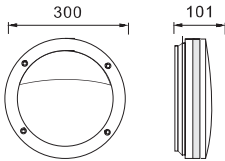


For installation of LED Wall Surface Mounted Type
Model : BH5300HOB/R2

IP65



BH5300HOB/R2A



DESCRIPTION:

Wall surface mounted type light designed for wall surface installation. Die casting aluminum body and anti-Shock & anti-UV polyester/PC as its' diffuser , Available in various finishes : white , grey, black , etc.,

(E27/G24 lamp holder optional too from next pages)

TECHNICAL CHARACTERISTICS:

Type: Wall Surface Mounted Type

IP Protection degrees: IP65

IK Protection degrees: IK08

Safety Class : Class-I

Voltage/Frequency : 100-240V, 50/60HZ



LED SPECIFICATIONS:

Item No.: BH5300HOB/R2A
BH5300HOB/R2B
BH5300HOB/R2C

LEDs: SMD2835 96LEDs,22W

LED Source : 3000K/4000K,CRI≥80,1280lm



BH5300HOB/R2A

PACKING DETAILS:

Carton Size: ---cm

Gross Weight (Kg) : ---Kg

QTY/Carton : ---PC



BH5300HOB/R2B
BH5300HOB/R2C



MATERIALS/FINISHES:

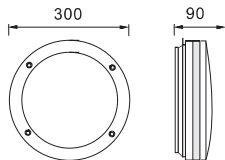
Structure material: Die-casting aluminium
Structure finish: Grey, White, Black, Silver

Diffuser Material:
Anti-UV PC/Polycarbonate

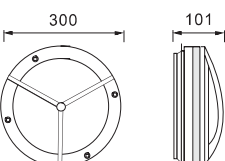
SAMPLE FOR STICK LABELS:



BH5300HOB/R2B



BH5300HOB/R2C



Product Description **YOUR LOGO®**

20W LED WALL MOUNTED LIGHT

Color Temp 3000K	Protection IP65
Power Supply 100-240V AC, 50-60Hz	Power Rate 20W

Product Part #: xxxxxxxx

+86 574 62805278
+86 574 62805277
sales@schtlite.com
www.schtlite.com

#49, Changxin Road, Yuyao City, Ningbo Of Zhejiang, China

Stick Label of box & carton

20W LED WALL MOUNTED LIGHT **YOUR LOGO®**

Product Part #: xxxxxxxx

Power: 20W	Input: 100-240V AC, 50-60Hz	Protection: IP65
------------	-----------------------------	------------------

Stick Label of Lamp Body

Energy Consumption Label

Not dimmable LED in warm white

A++	A+	A	B	C	D	E
-----	----	---	---	---	---	---

LED

≥80	CRI
2.7	kwh/1000h
105 degree	Beam Angle
20W	Max LED Watt
3000K	Color Temperature
0%~95%	Environmental Humidity
1500lm	Minimum luminous flux
-20℃~60℃	Environmental Temperature

Energy Consumption Lable

SCHTLITE LIGHT CO., LIMITED

Office and Factory
#49, Changxin Road, Yuyao City, Ningbo Of Zhejiang, China
Tel: +86-574-62805278 Fax: +86-574-62805277
Email: sales@schtlite.com

service at alibaba.com
we have our website at alibaba.com
for all of our outdoor series of lighting
with the page :
peterlamps.en.alibaba.com



For installation of LED Wall Surface Mounted Type
Model : BH5300HOB/SQ2

IP65



DESCRIPTION:

Wall surface mounted type light designed for wall surface installation. Die casting aluminum body and anti-Shock & anti-UV polyester/PC as its' diffuser , Available in various finishes : white , grey, black , etc.,

(E27/G24 lamp holder optional too from next pages)

TECHNICAL CHARACTERISTICS:

Type: Wall Surface Mounted Type
IP Protection degrees: IP65
IK Protection degrees: IK08
Safety Class : Class-I
Voltage/Frequency : 100-240V, 50/60HZ



LED SPECIFICATIONS:

Item No.: BH5300HOB/SQ2B
BH5300HOB/SQ2C
LEDs: SMD2835 96LEDs,22W
LED Source : 3000K/4000K,CRI≥80,1280lm



PACKING DETAILS:

Carton Size: ---cm
Gross Weight (Kg) : ---Kg
QTY/Carton : ---PC



MATERIALS/FINISHES:

Structure material: Die-casting aluminium
Structure finish: Grey, White, Black, Silver

Diffuser Material:
Anti-UV PC/Polycarbonate

SAMPLE FOR STICK LABELS:

Product Description **YOUR LOGO®**

20W LED WALL MOUNTED LIGHT

Color Temp 3000K	Protection IP65
Power Supply 100-240V AC, 50-60Hz	Power Rate 20W

Product Part #: xxxxxxxx

+86 574 62805278
+86 574 62805277
sales@schtlite.com
www.schtlite.com

#49, Changxin Road, Yuyao City, Ningbo Of Zhejiang, China

Stick Label of box & carton

20W LED WALL MOUNTED LIGHT **YOUR LOGO®**

Product Part #: xxxxxxxx

Power: 20W	Input: 100-240V AC, 50-60Hz	Protection: IP65
------------	-----------------------------	------------------

Stick Label of Lamp Body

Energy Consumption Label

Not dimmable LED in warm white

A++	A+	A	B	C	D	E
-----	----	---	---	---	---	---

LED

≥80	CRI
2.7	kwh/1000h
105 degree	Beam Angle
20W	Max LED Watt
3000K	Color Temperature
0%~95%	Environmental Humidity
1500lm	Minimum luminous flux
-20℃~60℃	Environmental Temperature

Energy Consumption Lable

SCHTLITE LIGHT CO., LIMITED

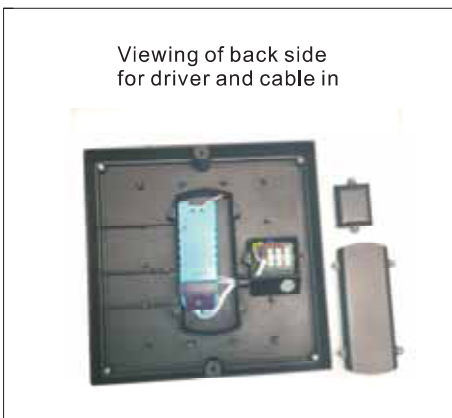
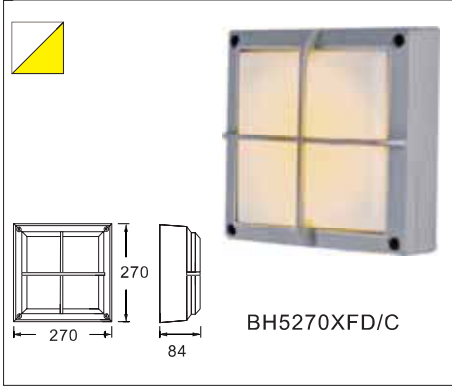
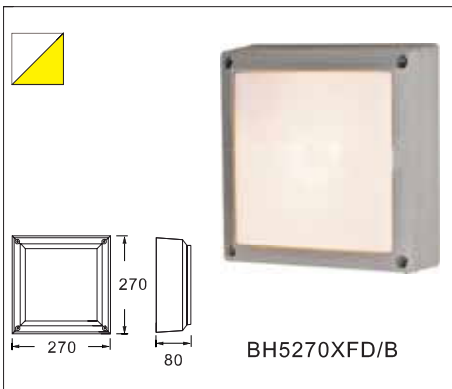
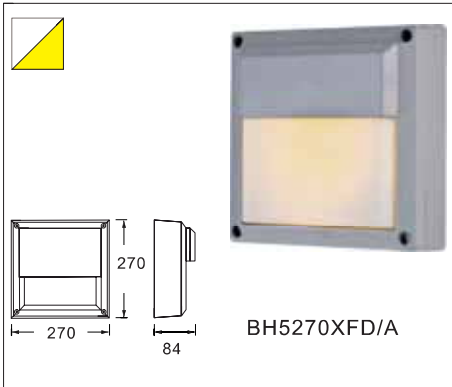
Office and Factory
#49, Changxin Road, Yuyao City, Ningbo Of Zhejiang, China
Tel: +86-574-62805278 Fax: +86-574-62805277
Email: sales@schtlite.com

service at alibaba.com
we have our website at alibaba.com
for all of our outdoor series of lighting
with the page :
peterlamps.en.alibaba.com



For installation of LED Wall Surface Mounted Type
Model : BH5270XFD/A , BH5270XFD/B , BH5270XFD/C

IP65



DESCRIPTION:

Wall surface mounted type light designed for wall surface installation. Die casting aluminum body and anti-Shock & anti-UV polyester/PC as its' diffuser , Available in various finishes : white , grey, black , etc.,

(E27/G24 lamp holder optional too from next pages)

TECHNICAL CHARACTERISTICS:

Type: Wall Surface Mounted Type
IP Protection degrees: IP65
IK Protection degrees: IK08
Safety Class : Class-I
Voltage/Frequency : 100-240V, 50/60HZ

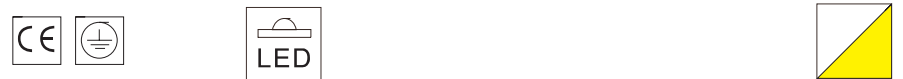


LED SPECIFICATIONS:

Item No.:	BH5270XFD/A	Item No.:	BH5270XFD/B BH5270XFD/C
LEDs:	SMD2835 96LEDs,20W	LEDs:	SMD2835 96LEDs,20W
LED Source :	3000K/4000K,CRI≥80,1500lm	LED Source :	3000K/4000K,CRI≥80,1500lm

PACKING DETAILS:

Carton Size:	57*38*29cm	<p>BH5270SQ/D</p>
Gross Weight (Kg):	---Kg	
QTY/Carton :	8PC	



MATERIALS/FINISHES:

Structure material: Die-casting aluminium
Structure finish: Grey, White, Black, Silver
Diffuser Material: Anti-UV PC/Polycarbonate

SAMPLE FOR STICK LABELS:

Product Description **YOUR LOGO®**

20W LED WALL MOUNTED LIGHT

Color Temp 3000K	Protection IP65
Power Supply 100-240V AC, 50-60Hz	Power Rate 20W

Product Part #: xxxxxxxx

+86 574 62805278
+86 574 62805277
sales@schtlite.com
www.schtlite.com

#49, Changxin Road, Yuyao City, Ningbo Of Zhejiang, China

Stick Label of box & carton

20W LED WALL MOUNTED LIGHT **YOUR LOGO®**

Product Part #: xxxxxxxx

Power: 20W	Input: 100-240V AC, 50-60Hz	Protection: IP65
------------	-----------------------------	------------------

Stick Label of Lamp Body

Not dimmable LED in warm white	A++	LED ≥80 CRI 2.7 kwh/1000h 105 degree Beam Angle 22W Max LED Watt 3000K Color Temperature 0%~95% Environmental Humidity 1500lm Minimum luminous flux -20℃~60℃ Environmental Temperature
	A+	
	A	
	B	
	C	
	D	
E		

ENERGY CLASSIFICATION: энергия - эффективна

Energy Consumption Lable

SCHTLITE LIGHT CO., LIMITED

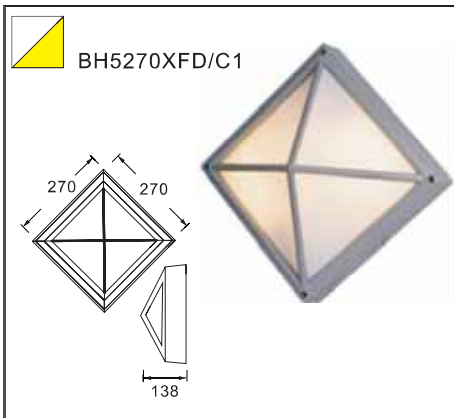
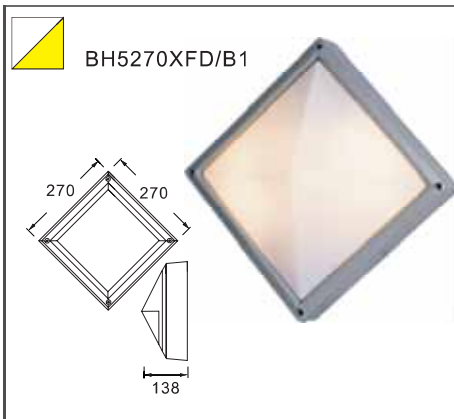
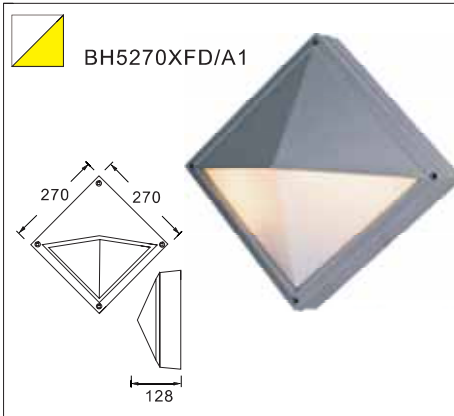
Office and Factory
#49, Changxin Road, Yuyao City, Ningbo Of Zhejiang, China
Tel: +86-574-62805278 Fax: +86-574-62805277
Email : sales@schtlite.com

service at alibaba.com
we have our website at alibaba.com
for all of our outdoor series of lighting
with the page :
peterlamps.en.alibaba.com



For installation of LED Wall Surface Mounted Type
Model : WR5270XFD/A1 , WR5270XFD/B1 , WR5270XFD/C1

IP65



DESCRIPTION:

Wall surface mounted type light designed for wall surface installation. Die casting aluminum body and anti-Shock & anti-UV polyester/PC as its' diffuser , Available in various finishes : white , grey, black , etc.,

(E27/G24 lamp holder optional too from next pages)

TECHNICAL CHARACTERISTICS:

Type: Wall Surface Mounted Type
IP Protection degrees: IP65
IK Protection degrees: IK08
Safety Class : Class-I
Voltage/Frequency : 100-240V, 50/60HZ



LED SPECIFICATIONS:

Item No.:	BH5270XFD/A1	Item No.:	BH5270XFD/B1 BH5270XFD/C1
LEDs:	SMD2835 44LEDs,20W	LEDs:	SMD2835 96LEDs,20W
LED Source :	3000K/4000K,CRI≥80,1500lm	LED Source :	3000K/4000K,CRI≥80,1500lm

PACKING DETAILS:

Carton Size:	54*38*29cm	Carton Size:	54*38*29cm
Gross Weight (Kg):	---Kg	Gross Weight (Kg):	---Kg
QTY/Carton :	4PC	QTY/Carton :	4PC



MATERIALS/FINISHES:

Structure material: Die-casting aluminium
Structure finish: Grey, White, Black, Silver
Diffuser Material: Anti-UV PC/Polycarbonate

SAMPLE FOR STICK LABELS:

Product Description **YOUR LOGO®**

22W LED WALL MOUNTED LIGHT

Color Temp 3000K	Protection IP65
Power Supply 100-240V AC, 50-60Hz	Power Rate 22W

Product Part #: xxxxxxxx

+86 574 62805278
+86 574 62805277
sales@schtlite.com
www.schtlite.com

#49, Changxin Road, Yuyao City, Ningbo Of Zhejiang, China

Stick Label of box & carton

22W LED WALL MOUNTED LIGHT **YOUR LOGO®**

Product Part #: xxxxxxxx

Power: 22W	Input: 100-240V AC, 50-60Hz	Protection: IP65
------------	-----------------------------	------------------

Stick Label of Lamp Body

ENERGY LABEL

LED in warm white

A++	≥80	CRI
A+	2.7	kwh/1000h
A	105 degree	Beam Angle
B	22W	Max LED Watt
C	3000K	Color Temperature
D	0%~95%	Environmental Humidity
E	1280lm	Minimum luminous flux
	-20℃~60℃	Environmental Temperature

Energy Consumption Lable

SCHTLITE LIGHT CO., LIMITED

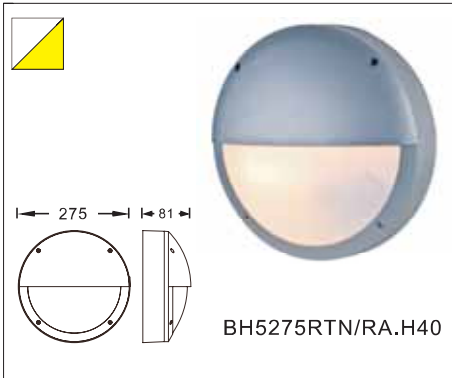
Office and Factory
#49, Changxin Road, Yuyao City ,Ningbo Of Zhejiang ,China
Tel: +86-574-62805278 Fax: +86-574-62805277
Email : sales@schtlite.com

service at alibaba.com
we have our website at alibaba.com for all of our outdoor series of lighting with the page : peterlamps.en.alibaba.com

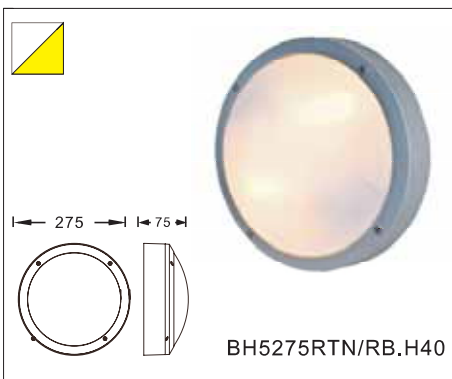


For installation of LED Wall Surface Mounted Type
Model : BH5275RTN/R.H40

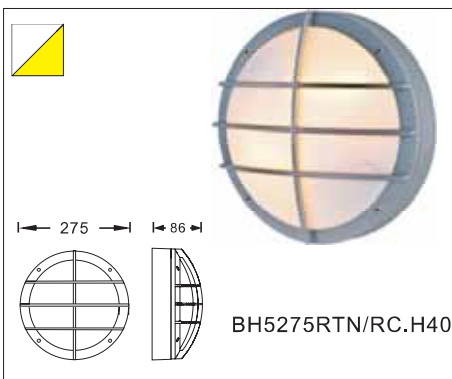
IP65



BH5275RTN/RA.H40



BH5275RTN/RB.H40



BH5275RTN/RC.H40



Viewing of inner side for
BH5275RTN/RA.H40

DESCRIPTION:

Wall surface mounted type light designed for wall surface installation. Die casting aluminum body and anti-Shock & anti-UV polyester/PC as its' diffuser , Available in various finishes : white , grey, black , etc.,

(E27/G24 lamp holder optional too from next pages)

TECHNICAL CHARACTERISTICS:

Type: Wall Surface Mounted Type
IP Protection degrees: IP65
IK Protection degrees: IK08
Safety Class : Class-I
Voltage/Frequency : 100-240V, 50/60HZ



LED SPECIFICATIONS:

Item No.:	BH5275RTN/RA.H40	Item No.:	BH5275RTN/RB.H40 BH5275RTN/RC.H40
LEDs:	SMD2835 96LEDs,20W	LEDs:	SMD2835 96LEDs,20W
LED Source :	3000K/4000K,CRI≥80,1500lm	LED Source :	3000K/4000K,CRI≥80,1500lm

PACKING DETAILS:

Carton Size:	57*38*29cm	Carton Size:	57*38*29cm
Gross Weight (Kg) :	14.4Kg	Gross Weight (Kg) :	14.4Kg
QTY/Carton :	8PC	QTY/Carton :	8PC



MATERIALS/FINISHES:

Structure material: Die-casting aluminium
Structure finish: Grey, White, Black, Silver
Diffuser Material: Anti-UV PC/Polycarbonate

SAMPLE FOR STICK LABELS:

Product Description **YOUR LOGO®**
20W LED WALL MOUNTED LIGHT

Color Temp 3000K	Protection IP65
Power Supply 100-240V AC, 50-60Hz	Power Rate 20W

Product Part #: xxxxxxx

+86 574 62805278
+86 574 62805277
sales@schtlite.com
www.schtlite.com

#49, Changxin Road, Yuyao City, Ningbo Of Zhejiang, China

Stick Label of box & carton

20W LED WALL MOUNTED LIGHT **YOUR LOGO®**
Product Part #: xxxxxxx
Power: 20W | Input: 100-240V AC, 50-60Hz | Protection: IP65

Stick Label of Lamp Body

Not dimmable LED in warm white	A++	LED	ENERGY CLASS энергия · энергия
	A+		
	A		
	B		
	C		
D	≥70	CRI	
E	2.7	kwh/1000h	
	105 degree	Beam Angle	
	20W	Max LED Watt	
	3000K	Color Temperature	
	0%~95%	Environmental Humidity	
	1500lm	Minimum luminous flux	
	-20℃~60℃	Environmental Temperature	

Energy Consumption Label

SCHTLITE LIGHT CO., LIMITED

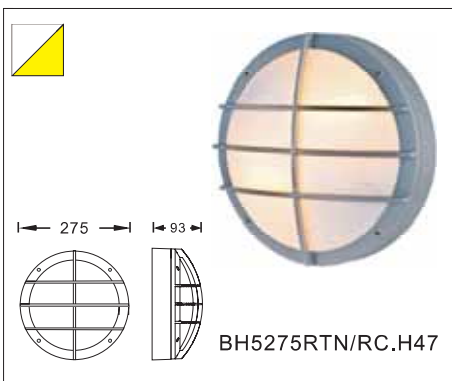
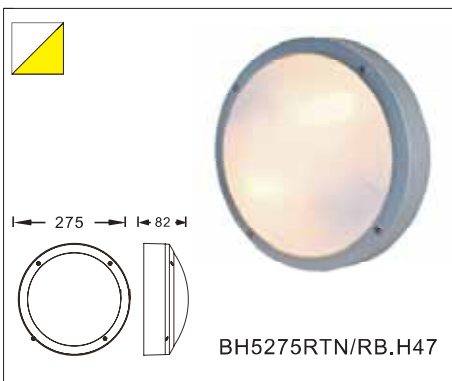
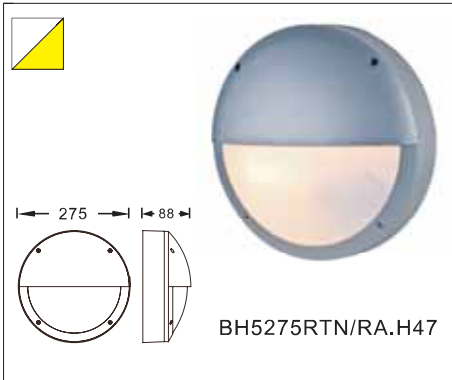
Office and Factory
#49, Changxin Road, Yuyao City, Ningbo Of Zhejiang, China
Tel: +86-574-62805278 Fax: +86-574-62805277
Email: sales@schtlite.com

service at alibaba.com
we have our website at alibaba.com
for all of our outdoor series of lighting
with the page :
peterlamps.en.alibaba.com



For installation of LED Wall Surface Mounted Type
Model : BH5275RTN/R.H47

IP65



DESCRIPTION:

Wall surface mounted type light designed for wall surface installation. Die casting aluminum body and anti-Shock & anti-UV polyester/PC as its' diffuser , Available in various finishes : white , grey, black , etc.,

(E27/G24 lamp holder optional too from next pages)

TECHNICAL CHARACTERISTICS:

Type: Wall Surface Mounted Type

IP Protection degrees: IP65

IK Protection degrees: IK08

Safety Class : Class-I

Voltage/Frequency : 100-240V, 50/60HZ



LED SPECIFICATIONS:

Item No.: BH5275RTN/RB.H47

LEDs: SMD2835 96LEDs,20W

LED Source : 3000K/4000K,CRI≥80,1500lm

Item No.: BH5275RTN/RA.H47
BH5275RTN/RC.H47

LEDs: SMD2835 96LEDs,20W

LED Source : 3000K/4000K,CRI≥80,1500lm

PACKING DETAILS:

Carton Size: 57*38*29cm

Gross Weight (Kg) : 14.4Kg

QTY/Carton : 8PC

Carton Size: 57*38*29cm

Gross Weight (Kg) : 14.4Kg

QTY/Carton : 8PC



MATERIALS/FINISHES:

Structure material: Die-casting aluminium
Structure finish: Grey, White, Black, Silver

Diffuser Material:
Anti-UV PC/Polycarbonate

SAMPLE FOR STICK LABELS:

Product Description **YOUR LOGO®**
20W LED WALL MOUNTED LIGHT

Color Temp 3000K	Protection IP65
Power Supply 100-240V AC, 50-60Hz	Power Rate 20W

Product Part #: xxxxxxx

+86 574 62805278
+86 574 62805277
sales@schtlite.com
www.schtlite.com

#49, Changxin Road, Yuyao City, Ningbo Of Zhejiang, China

Stick Label of box & carton

20W LED WALL MOUNTED LIGHT **YOUR LOGO®**

Product Part #: xxxxxxx

Power: 20W	Input: 100-240V AC, 50-60Hz	Protection: IP65
------------	-----------------------------	------------------

Stick Label of Lamp Body

ENERGY CLASS
A++ A+ A B C D E

LED in warm white

≥80	CRI
2.7	kwh/1000h
105 degree	Beam Angle
20W	Max LED Watt
3000K	Color Temperature
0%~95%	Environmental Humidity
1500lm	Minimum luminous flux
-20℃~60℃	Environmental Temperature

Energy Consumption Label

SCHTLITE LIGHT CO., LIMITED

Office and Factory
#49, Changxin Road, Yuyao City, Ningbo Of Zhejiang, China
Tel: +86-574-62805278 Fax: +86-574-62805277
Email: sales@schtlite.com

service at alibaba.com
we have our website at alibaba.com
for all of our outdoor series of lighting
with the page :
peterlamps.en.alibaba.com



For installation of LED Wall Surface Mounted Type
Model : BH5170RTA/RB, BH5270RTA/RB

IP65



DESCRIPTION:

Wall surface mounted type light designed for wall surface installation. Die casting aluminum body and anti-Shock & anti-UV polyester/PC as its' diffuser ,

Available in various finishes : white , grey, black , etc.,

TECHNICAL CHARACTERISTICS:

Type: Wall Surface Mounted Type
IP Protection degrees: IP65
IK Protection degrees: IK08
Safety Class : Class-I
Voltage/Frequency : 100-240V, 50/60HZ



LED SPECIFICATIONS:

Item No.: BH52170RTA/RB
LEDs: SMD2835 48LEDs, 12W
LED Source : 3000K/4000K, CRI≥80, 720lm

Item No.: BH5270RTA/RB
LEDs: SMD2835 96LEDs, 20W
LED Source : 3000K/4000K, CRI≥80, 1500lm

PACKING DETAILS:

Carton Size: ---cm
Gross Weight (Kg) : ---Kg
QTY/Carton : ---PC

Carton Size: ---cm
Gross Weight (Kg) : ---Kg
QTY/Carton : ---PC



MATERIALS/FINISHES:

Structure material: Die-casting aluminium
Structure finish: Grey, White, Black, Silver

Diffuser Material:
Anti-UV PC/Polycarbonate

SAMPLE FOR STICK LABELS:



Product Description **YOUR LOGO®**

20W LED WALL MOUNTED LIGHT

Color Temp 3000K	Protection IP65
Power Supply 100-240V AC, 50-60Hz	Power Rate 20W

Product Part #: xxxxxxx

+86 574 62805278
+86 574 62805277
sales@schtlite.com
www.schtlite.com

#49, Changxin Road, Yuyao City, Ningbo Of Zhejiang, China

20W LED WALL MOUNTED LIGHT **YOUR LOGO®**

Product Part #: xxxxxxx

Power: 20W | Input: 100-240V AC, 50-60Hz | Protection: IP65

Stick Label of Lamp Body

ENERGY LABEL

Not dimmable LED in warm white

A++	A+	A	B	C	D	E
-----	----	---	---	---	---	---

LED

≥80	CRI
2.7	kwh/1000h
105 degree	Beam Angle
20W	Max LED Watt
3000K	Color Temperature
0%~95%	Environmental Humidity
1500lm	Minimum luminous flux
-20℃~60℃	Environmental Temperature

Energy Consumption Lable

SCHTLITE LIGHT CO., LIMITED

Office and Factory
#49, Changxin Road, Yuyao City, Ningbo Of Zhejiang, China
Tel: +86-574-62805278 Fax: +86-574-62805277
Email: sales@schtlite.com

service at alibaba.com
we have our website at alibaba.com
for all of our outdoor series of lighting
with the page :
peterlamps.en.alibaba.com



For installation of LED Wall Surface Mounted Type
Model : BH5170RTA/VB.100 , BH5270RTA/VB.148

IP65



BH5170RTA/VB.100

DESCRIPTION:

Wall surface mounted type light designed for wall surface installation. Die casting aluminum body and anti-Shock & anti-UV polyester/PC as its' diffuser ,

Available in various finishes : white , grey, black , etc.,

TECHNICAL CHARACTERISTICS:

Type: Wall Surface Mounted Type
IP Protection degrees: IP65
IK Protection degrees: IK08
Safety Class : Class-I
Voltage/Frequency : 100-240V, 50/60HZ



BH5270RTA/VB.148

LED SPECIFICATIONS:

Item No.: BH52170RTA/RB.100	Item No.: BH5270RTA/RB.148
LEDs: SMD2835 48LEDs,12W	LEDs: SMD2835 96LEDs,20W
LED Source : 3000K/4000K,CRI≥80,720lm	LED Source : 3000K/4000K,CRI≥80,1500lm

PACKING DETAILS:

Carton Size: ---cm	Carton Size: ---cm
Gross Weight (Kg) : ---Kg	Gross Weight (Kg) : ---Kg
QTY/Carton : ---PC	QTY/Carton : ---PC



MATERIALS/FINISHES:

Structure material: Die-casting aluminium
Structure finish: Grey, White, Black, Silver
Diffuser Material: Anti-UV PC/Polycarbonate

SAMPLE FOR STICK LABELS:



Viewing of inner side

Product Description **YOUR LOGO®**

20W LED WALL MOUNTED LIGHT

Color Temp 3000K	Protection IP65
Power Supply 100-240V AC, 50-60Hz	Power Rate 20W

Product Part #: xxxxxxx

+86 574 62805278
+86 574 62805277
sales@schtlite.com
www.schtlite.com

#49, Changxin Road, Yuyao City, Ningbo Of Zhejiang, China

Stick Label of box & carton

20W LED WALL MOUNTED LIGHT **YOUR LOGO®**

Product Part #: xxxxxxx

Power: 20W	Input: 100-240V AC, 50-60Hz	Protection: IP65
------------	-----------------------------	------------------

Stick Label of Lamp Body

ENERGY LABEL

Not dimmable LED in warm white

A++	A+	A	B	C	D	E
-----	----	---	---	---	---	---

LED

≥80	CRI
2.7	kwh/1000h
105 degree	Beam Angle
20W	Max LED Watt
3000K	Color Temperature
0%~95%	Environmental Humidity
1500lm	Minimum luminous flux
-20℃~60℃	Environmental Temperature

Energy Consumption Lable

SCHTLITE LIGHT CO., LIMITED

Office and Factory
#49, Changxin Road, Yuyao City, Ningbo Of Zhejiang, China
Tel: +86-574-62805278 Fax: +86-574-62805277
Email: sales@schtlite.com

service at alibaba.com
we have our website at alibaba.com
for all of our outdoor series of lighting
with the page :
peterlamps.en.alibaba.com



For installation of LED Wall Surface Mounted Type
Model : BH5210ZLD/R, BH5310ZLD/R

IP65



BH5210ZLD/R

DESCRIPTION:

Wall surface mounted type light designed for wall surface installation. Die casting aluminum body and anti-Shock & anti-UV polyester/PC as its' diffuser ,

Available in various finishes : white , grey, black , etc.,

TECHNICAL CHARACTERISTICS:

Type: Wall Surface Mounted Type

IP Protection degrees: IP65

IK Protection degrees: IK08

Safety Class : Class-I

Voltage/Frequency : 100-240V, 50/60HZ



LED SPECIFICATIONS:

Item No.: BH5210ZLD/R

LEDs: SMD2835 44LEDs,15W

LED Source : 3000K/4000K,CRI≥70,1080lm

Item No.: BH5310ZLD/R

LEDs: SMD2835 96LEDs,30W

LED Source : 3000K/4000K,CRI≥70,1965lm

PACKING DETAILS:

Carton Size: 28.5*34.5*11cm

Gross Weight (Kg) : 11Kg

QTY/Carton : 8PC

Carton Size: 38.5*38.5*34.5cm

Gross Weight (Kg) : 10Kg

QTY/Carton : 4PC



MATERIALS/FINISHES:

Structure material: Die-casting aluminium
Structure finish: Grey, White, Black, Silver

Diffuser Material:
Anti-UV PC/Polycarbonate

SAMPLE FOR STICK LABELS:



BH5310ZLD/R



Product Description **YOUR LOGO®**

15W LED WALL MOUNTED LIGHT

Color Temp 3000K	Protection IP65
Power Supply 100-240V AC, 50-60Hz	Power Rate 15W

Product Part #: xxxxxxx

+86 574 62805278
+86 574 62805277
sales@schtlite.com
www.schtlite.com

#49, Changxin Road, Yuyao City, Ningbo Of Zhejiang, China

Stick Label of box & carton

15W LED WALL MOUNTED LIGHT **YOUR LOGO®**

Product Part #: xxxxxxx

Power: 15W	Input: 100-240V AC, 50-60Hz	Protection: IP65
------------	-----------------------------	------------------

Stick Label of Lamp Body

ENERGY LABEL

Not dimmable LED in warm white

A++	A+	A	B	C	D	E
-----	----	---	---	---	---	---

LED

≥80	CRI
2.7	kwh/1000h
105 degree	Beam Angle
15W	Max LED Watt
3000K	Color Temperature
0%~95%	Environmental Humidity
610lm	Minimum luminous flux
-20℃~60℃	Environmental Temperature

Energy Consumption Lable

SCHTLITE LIGHT CO., LIMITED

Office and Factory
#49, Changxin Road, Yuyao City, Ningbo Of Zhejiang, China
Tel: +86-574-62805278 Fax: +86-574-62805277
Email: sales@schtlite.com

service at alibaba.com
we have our website at alibaba.com
for all of our outdoor series of lighting
with the page :
peterlamps.en.alibaba.com

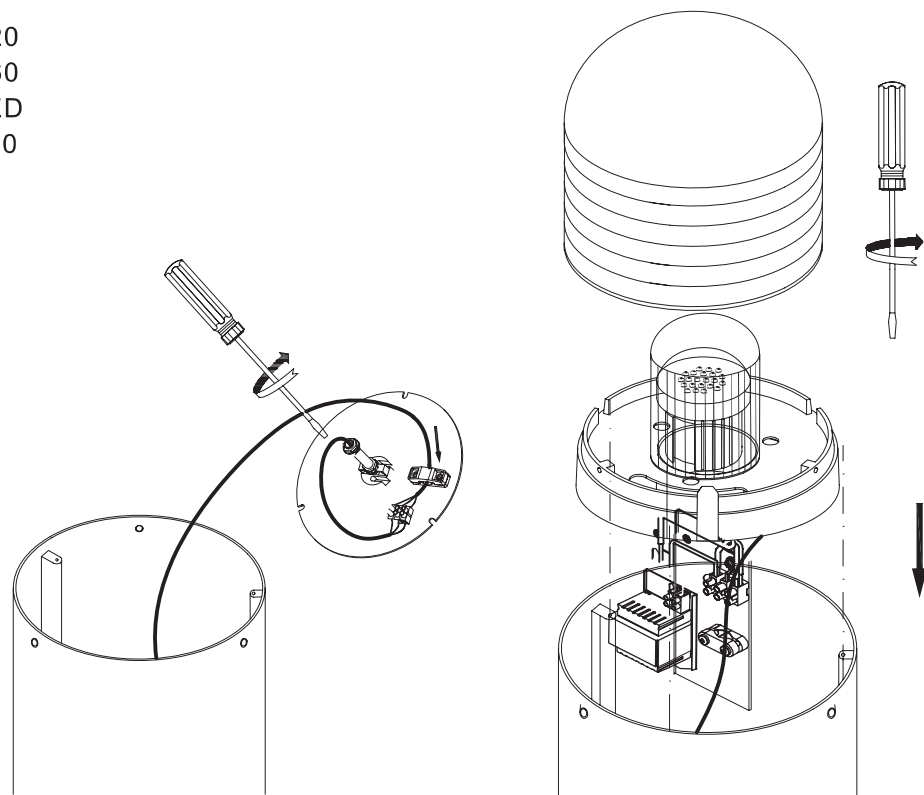


LED LAWN BOLLARD LIGHT

Product Category List:

1.41. LED LAWN BOLLARD LIGHT : (P.66 - P.81)

BOOMING
BUD
COLOMBO120
DOME.LB
DONKEY120.LED
GRILL120.LED
JAIPUR.H20
MACEDONIA120
MACEDONIA160
MARSEILLE.LED
MUSHROOM170
TONY118
VERB



BRIEF INTRODUCTION :

Schtlite light co., Ltd is a professional supplier in outdoor lighting series , who is specializing both in street lights and garden lights .

and We own a high quality team for LED industrial design, R&D, quality control and marketing. We also have very close business and technician co-operation with many well-know LED lights manufactures in China , to be sure of the best qualified and fashion lights supplying to Customers.

1.41. LED BOLLARD LIGHT : (P.46-58)



MOOMING/LB
(P 67)



BUD
(P 48)



COLOMBO/LB
(P 49)



DOME/LB
(P 50)



GRILL/LB
(P 51)

DONKEY/LB
(P 51)



JAIPUR
(P 52)



MACEDONIA
(P 53-54)



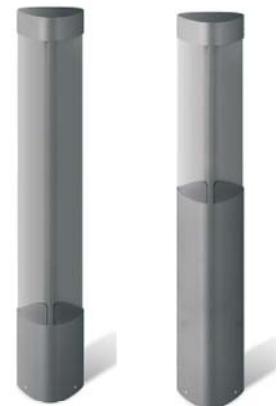
MARSEILLE/LB
(P 55)



MUSHROOM
(P 56)



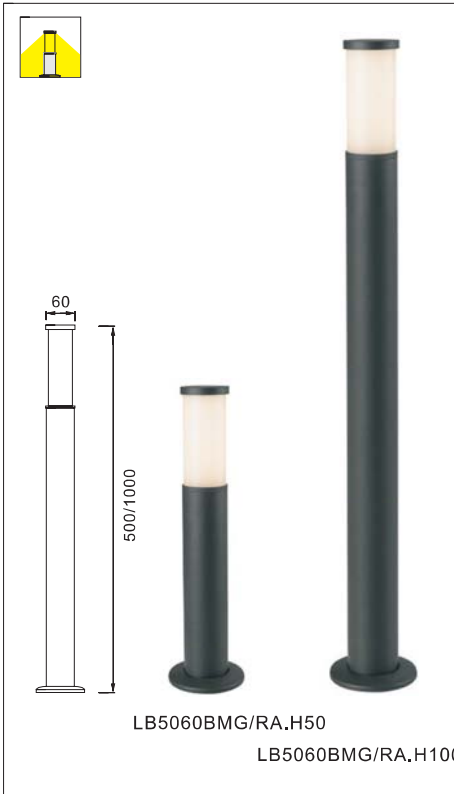
TONY
(P 57)



VERB/LB
(P 58)

For installation of LED Bollard Light
Model : LB5060BMG/RA , LB5060BMG/RB

IP65



DESCRIPTION:

Ground mounted type designed for lawn ground installation. Extruded aluminum body and anti-Shock & anti-UV PMMA as its' diffuser ,

Available in various finishes : white , grey, black , etc.,

TECHNICAL CHARACTERISTICS:

Type:	LED Lawn Bollard Type
IP Protection degrees:	IP65
IK Protection degrees:	IK08
Safety Class :	Class-I
Working Temperature :	-35°C ~ +65°C
Voltage/Frequency :	100-240V ,50/60HZ

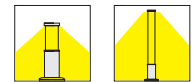


LED SPECIFICATIONS:

Item No.:	LB5060BMG/RA	Item No.:	LB5060BMG/RB
LEDs:	SMD2835 150LEDs,15W	LEDs:	SMD2835 252LEDs,30W
LED Source :	3000K/4000K,CRI≥80,900lm	LED Source :	3000K/4000K,CRI≥80,2200lm

PACKING DETAILS:

Height:	50cm	Height:	100cm
Carton Size:	---cm	Carton Size:	---cm
Gross Weight (Kg) :	---Kg	Gross Weight (Kg) :	---Kg
QTY/Carton :	---PC	QTY/Carton :	---PC



MATERIALS/FINISHES:

Structure material: Die-casting aluminium
Structure finish: Grey, White, Black, Silver

Diffuser Material:
Anti-UV PMMA

SAMPLE FOR STICK LABELS:

Product Description **YOUR LOGO®**
15W LED LAWN BOLLARD LIGHT

Color Temp 3000K	Protection IP65
Power Supply 110-240V AC, 50-60Hz	Power Rate 15W

Product Part #: xxxxxxxx

+86 574 62805278
+86 574 62805277
sales@schtlite.com
www.schtlite.com

#49, Changxin Road, Yuyao City, Ningbo Of Zhejiang, China

Stick Label of box & carton

15W LED LAWN BOLLARD LIGHT **YOUR LOGO®**
Product Part #: xxxxxxxx

Power: 15W	Input:110-240V AC, 50-60Hz	Protection: IP65
------------	----------------------------	------------------

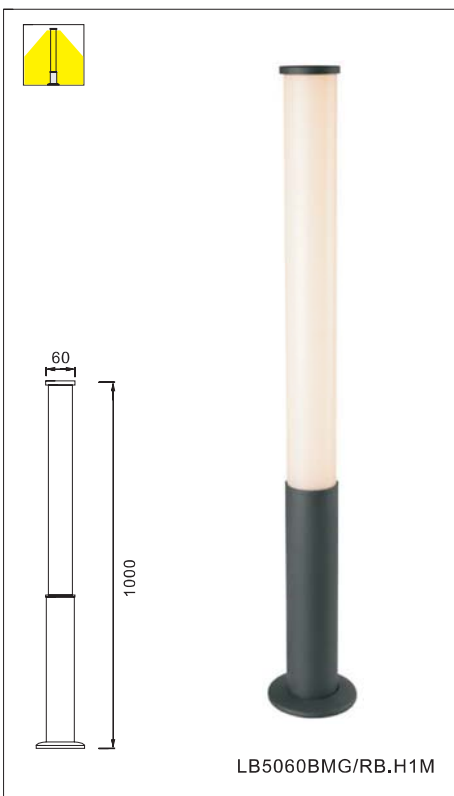
Stick Label of Lamp Body

ENERGY CLASS
A++ A+ A B C D E

LED in warm white

≥80	CRI
2.7	kwh/1000h
90 degree	Beam Angle
15W	Max LED Watt
3000K	Color Temperature
0%~95%	Environmental Humidity
900lm	Minimum Luminous flux
-35°C~65°C	Environmental Temperature

Energy Consumption Lable



SCHTLITE LIGHT CO., LIMITED

Office and Factory
#49, Changxin Road, Yuyao City, Ningbo Of Zhejiang, China
Tel: +86-574-62805278 Fax: +86-574-62805277
Email: sales@schtlite.com

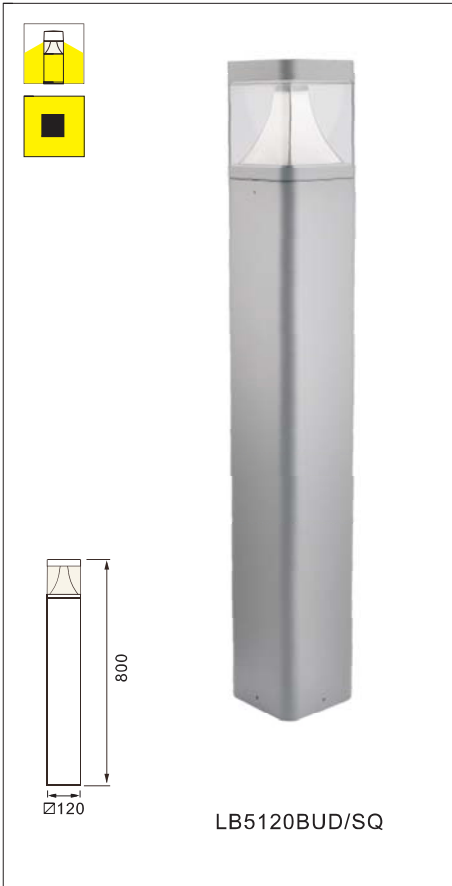
service at alibaba.com
we have our website at alibaba.com
for all of our outdoor series of lighting
with the page :
peterlamps.en.alibaba.com





For installation of LED Bollard Light
Model : LB5120BUD/SQ

IP65



DESCRIPTION:

Ground mounted type designed for lawn ground installation. Extruded aluminum body , anti-Shock & anti-UV PMMA as its' diffuser .

Available in various finishes : white , grey, black , etc.,

TECHNICAL CHARACTERISTICS:

Type:	LED Lawn Bollard Type
IP Protection degrees:	IP65
IK Protection degrees:	IK08
Safety Class :	Class-I
Working Temperature :	-35°C ~ +65°C
Voltage/Frequency :	100-240V ,50/60HZ

LED SPECIFICATIONS:

Item No.:	LB5120BUD/SQ
LEDs:	SMD2835 132LEDs,12W
LED Source :	3000K/4000K,CRI≥70,980lm

PACKING DETAILS:

Height:	80cm	Height:	100cm
Carton Size:	83.5*28*28.5cm	Carton Size:	103*28*28.5cm
Gross Weight (Kg):	13.4Kg	Gross Weight (Kg):	15.4Kg
QTY/Carton :	4PC	QTY/Carton :	4PC



MATERIALS/FINISHES:

Structure material: Die-casting aluminium
Structure finish: Grey, White, Black, Silver

Diffuser Material: Anti-UV PMMA

SAMPLE FOR STICK LABELS:

Product Description **YOUR LOGO®**
12W LED LAWN BOLLARD LIGHT

Color Temp 3000K	Protection IP65
Power Supply 100-240V AC, 50-60Hz	Power Rate 12W

Product Part #: xxxxxxx

+86 574 62805278
+86 574 62805277
sales@schtlite.com
www.schtlite.com

#49, Changxin Road, Yuyao City, Ningbo Of Zhejiang, China

Stick Label of box & carton

12W LED LAWN BOLLARD LIGHT **YOUR LOGO®**
Product Part #: xxxxxxx

Power: 12W	Input:100-240V AC, 50-60Hz	Protection: IP65
------------	----------------------------	------------------

Stick Label of Lamp Body

ENERGY CLASS
A++ A+ A B C D E

LED in warm white

Not dimmable

≥80	CRI
2.7	kwh/1000h
90 degree	Beam Angle
12W	Max LED Watt
3000K	Color Temperature
0%~95%	Environmental Humidity
980lm	Minimum Luminous flux
-35°C~65°C	Environmental Temperature

Energy Consumption Lable

SCHTLITE LIGHT CO., LIMITED

Office and Factory
#49, Changxin Road, Yuyao City ,Ningbo Of Zhejiang ,China
Tel: +86-574-62805278 Fax: +86-574-62805277
Email : sales@schtlite.com

service at alibaba.com
we have our website at alibaba.com for all of our outdoor series of lighting with the page :
peterlamps.en.alibaba.com



For installation of LED Bollard Light
Model : LB5120CLB

IP65



LB5120CLB/QA

DESCRIPTION:

Ground mounted type designed for lawn ground installation. Extruded aluminum body and anti-Shock & anti-UV PMMA as its' diffuser ,

Available in various finishes : white , grey, black ,etc.,

TECHNICAL CHARACTERISTICS:

Type: LED Lawn Bollard Type

IP Protection degrees: IP65

IP Protection degrees: IK08

Safety Class : Class-I

Working Temperature : -35°C ~ +65°C

Voltage/Frequency : 100-240V ,50/60HZ



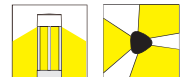
LED SPECIFICATIONS:

Item No.: LB5120CLB/RA
LB5120CLB/QA
LEDs: EVERLIGHT SMD2835 36LEDs,10W
LED Source : 3000K/4000K,CRI≥80,780lm

Item No.: LB5120CLB/RB
LB5120CLB/QB
LEDs: EVERLIGHT SMD2835 36LEDs,10W
LED Source : 3000K/4000K,CRI≥80,780lm

PACKING DETAILS:

Height: 40cm	Height: 60cm	Height: 100cm
Carton Size: 42*24*24cm	Carton Size: 62*24*24cm	Carton Size: 102*24*24cm
Gross Weight : ---Kg	Gross Weight : ---Kg	Gross Weight : ---Kg
QTY/Carton : 4PC	QTY/Carton : 4PC	QTY/Carton : 4PC

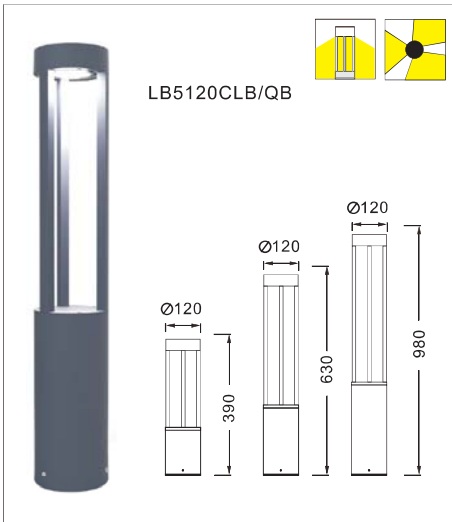


MATERIALS/FINISHES:

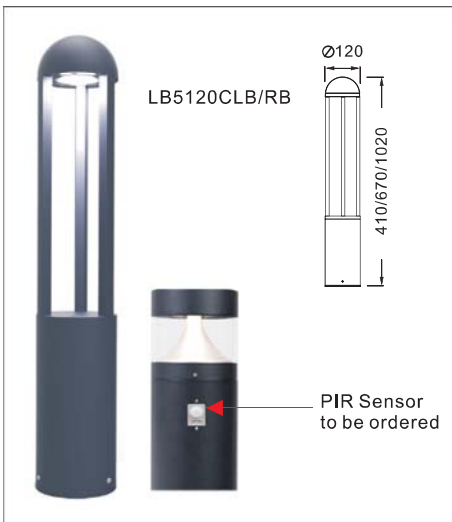
Structure material: Die-casting aluminum
Structure finish: Grey, White, Black, Silver

Diffuser Material:
Anti-UV PMMA

SAMPLE FOR STICK LABELS:



LB5120CLB/QB



LB5120CLB/RB

PIR Sensor to be ordered

Product Description **YOUR LOGO®**
10W LED LAWN BOLLARD LIGHT

Color Temp 3000K	Protection IP65
Power Supply 100-240V AC, 50-60Hz	Power Rate 10W

Product Part #: xxxxxxxx

+86 574 62805278
+86 574 62805277
sales@schtlite.com
www.schtlite.com

#49, Changxin Road, Yuyao City, Ningbo Of Zhejiang, China

Stick Label of box & carton

10W LED LAWN BOLLARD LIGHT YOUR LOGO®
Product Part #: xxxxxxxx

Power: 10W	Input:100-240V AC, 50-60Hz	Protection: IP65
------------	----------------------------	------------------

Stick Label of Lamp Body

Energy Consumption Label

Not dimmable LED in warm white	A++	LED	ENERGY CLASS A++	≥80	CRI
	A+			2.7	kwh/1000h
	A			90 degree	Beam Angle
	B			10W	Max LED Watt
	C			3000K	Color Temperature
D	0%~95%	Environmental Humidity			
E	780lm	Minimum Luminous flux			
	-35°C~65°C	Environmental Temperature			

Energy Consumption Lable

SCHTLITE LIGHT CO., LIMITED

Office and Factory
#49, Changxin Road, Yuyao City, Ningbo Of Zhejiang, China
Tel: +86-574-62805278 Fax: +86-574-62805277
Email: sales@schtlite.com

service at alibaba.com
we have our website at alibaba.com for all of our outdoor series of lighting with the page : peterlamps.en.alibaba.com



For installation of LED Bollard Light
Model : LB5080DME/Q



DESCRIPTION:

Ground mounted type designed for lawn ground installation. Extruded aluminum body , anti-Shock & anti-UV PMMA as its' diffuser .

Available in various finishes : white , grey, black , etc.,

TECHNICAL CHARACTERISTICS:

Type: LED Lawn Bollard Type
 IP Protection degrees: IP54
 IK Protection degrees: IK08
 Safety Class : Class-I
 Working Temperature : -35°C ~ +65°C
 Voltage/Frequency : 100-240V ,50/60HZ



LED SPECIFICATIONS:

Item No.:	LB5080DME/Q1	Item No.:	LB5080DME/Q2
LEDs:	Philips Lumileds 6LEDs,6W	LEDs:	Philips Lumileds 2x6LEDs,2x6W
LED Source :	3000K/4000K,CRI≥80,270lm	LED Source :	3000K/4000K,CRI≥80,270lm

PACKING DETAILS:

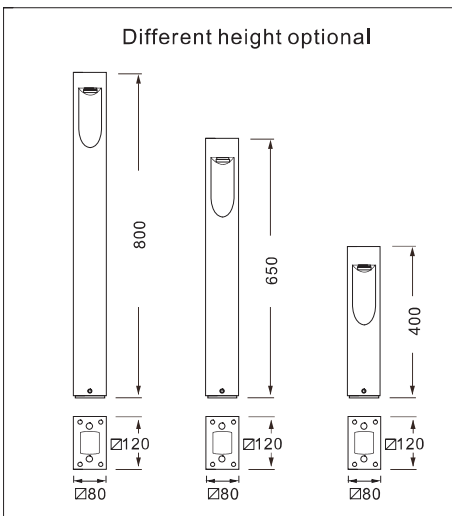
Height:	50cm	Height:	80cm
Carton Size:	---cm	Carton Size:	---cm
Gross Weight (Kg):	---Kg	Gross Weight (Kg):	---Kg
QTY/Carton :	4PC	QTY/Carton :	4PC



MATERIALS/FINISHES:

Structure material: Die-casting aluminium
 Structure finish: Grey, White, Black, Silver

Diffuser Material:
 Anti-UV PMMA



SAMPLE FOR STICK LABELS:

Product Description **YOUR LOGO®**
6W LED LAWN BOLLARD LIGHT

Color Temp 3000K	Protection IP54
Power Supply 100-240V AC, 50-60Hz	Power Rate 6W

Product Part #: xxxxxxxx

+86 574 62805278
 +86 574 62805277
 sales@schtlite.com
 www.schtlite.com

#49, Changxin Road, Yuyao City, Ningbo Of Zhejiang, China

Stick Label of box & carton

6W LED LAWN BOLLARD LIGHT **YOUR LOGO®**
 Product Part #: xxxxxxxx

Power: 6W	Input:100-240V AC, 50-60Hz	Protection: IP54
-----------	----------------------------	------------------

Stick Label of Lamp Body

ENERGY LABEL
 энергия · енергия

Not dimmable LED in warm white	A++	≥80	CRI
	A+	2.7	kwh/1000h
	A	90 degree	Beam Angle
	B	6W	Max LED Watt
	C	3000K	Color Temperature
	D	0%~95%	Environmental Humidity
E	270lm	Minimum luminous flux	
		-35°C~65°C	Environmental Temperature

Energy Consumption Label

SCHTLITE LIGHT CO., LIMITED

Office and Factory
 #49, Changxin Road, Yuyao City, Ningbo Of Zhejiang, China
 Tel: +86-574-62805278 Fax: +86-574-62805277
 Email : sales@schtlite.com

service at alibaba.com
 we have our website at alibaba.com for all of our outdoor series of lighting with the page :
peterlamps.en.alibaba.com



For installation of LED Bollard Light
Model : LB5120DKY

IP65

GRILL120/A.LED

DONKEY120.LED

LB5120GRL/RA

LB5120DKY/R



LB5120GRL/QA

LB5120DKY/Q



DESCRIPTION:

Ground mounted type designed for lawn ground installation. Extruded aluminum body and anti-Shock & anti-UV PMMA as its' diffuser ,

Available in various finishes : white , grey, black , etc.,

TECHNICAL CHARACTERISTICS:

Type: LED Lawn Bollard Type

IP Protection degrees: IP65

IP Protection degrees: IK08

Safety Class : Class-I

Working Temperature : -35°C ~ +65°C

Voltage/Frequency : 100-240V ,50/60HZ



LED SPECIFICATIONS:

Item No.: LB5120GRL/Q
LB5120DKY/Q

LEDs: EVERLIGHT SMD2835 36LEDs,10W

LED Source : 3000K/4000K,CRI≥80,780lm



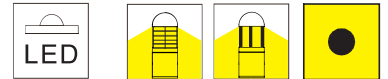
GRILL120/B.LED

LB5120GRL/RB

LB5120GRL/QB

PACKING DETAILS:

Height: 40cm	Height: 60cm	Height: 100cm
Carton Size: 42*24*24cm	Carton Size: 62*24*24cm	Carton Size: 102*24*24cm
Gross Weight : ---Kg	Gross Weight : ---Kg	Gross Weight : ---Kg
QTY/Carton : 4PC	QTY/Carton : 4PC	QTY/Carton : 4PC



MATERIALS/FINISHES:

Structure material: Die-casting aluminium
Structure finish: Grey, White, Black, Silver

Diffuser Material:
Anti-UV PMMA

SAMPLE FOR STICK LABELS:

Product Description **YOUR LOGO®**

10W LED LAWN BOLLARD LIGHT

Color Temp 3000K	Protection IP65
Power Supply 100-240V AC, 50-60Hz	Power Rate 10W

Product Part #: xxxxxxxx

+86 574 62805278
+86 574 62805277
sales@schtlite.com
www.schtlite.com

#49, Changxin Road, Yuyao City, Ningbo Of Zhejiang, China

Stick Label of box & carton

10W LED LAWN BOLLARD LIGHT **YOUR LOGO®**

Product Part #: xxxxxxxx

Power: 10W	Input:100-240V AC, 50-60Hz	Protection: IP65
------------	----------------------------	------------------

Stick Label of Lamp Body

ENERGY CLASS

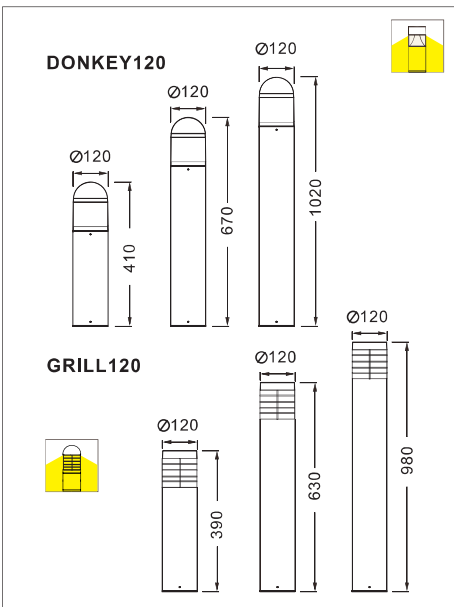
Not dimmable LED in warm white

A++ A+ A B C D E

LED

≥80	CRI
2.7	kwh/1000h
90 degree	Beam Angle
10W	Max LED Watt
3000K	Color Temperature
0%~95%	Environmental Humidity
780lm	Minimum Luminous flux
-35°C~65°C	Environmental Temperature

Energy Consumption Lable



SCHTLITE LIGHT CO., LIMITED

Office and Factory
#49, Changxin Road, Yuyao City ,Ningbo Of Zhejiang ,China
Tel:+86-574-62805278 Fax:+86-574-62805277
Email : sales@schtlite.com

service at alibaba.com
we have our website at alibaba.com
for all of our outdoor series of lighting
with the page :
peterlamps.en.alibaba.com



For installation of LED Bollard Light
Model : LB8090JPU/R , LB8105JPU/SQ



DESCRIPTION:

Ground mounted type designed for lawn ground installation. Extruded aluminum body , Glass Lens as its' diffuser .

Available in various finishes : white , grey, black , etc.,

TECHNICAL CHARACTERISTICS:

Type: LED Lawn Bollard Type
IP Protection degrees: IP54
IK Protection degrees: IK08
Safety Class : Class-I
Working Temperature : -35°C ~ +65°C
Voltage/Frequency : 100-240V ,50/60HZ



LED SPECIFICATIONS:

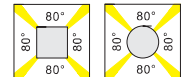
Item No.: LB8090JP/R.H200
LEDs: OSRAM COB 1LEDs,6W
LED Source : 3000K/4000K,CRI≥80,380lm

Item No.: LB8105JP/SQ.H200
LEDs: OSRAM COB 1LEDs,6W
LED Source : 3000K/4000K,CRI≥80,380lm

PACKING DETAILS:

Height: 20cm
Carton Size: 51.5*41.5*22cm
Gross Weight (Kg) : ---Kg
QTY/Carton : 20PC

Height: 20cm
Carton Size: 59.5*47.5*22.5cm
Gross Weight (Kg) : ---Kg
QTY/Carton : 20PC



MATERIALS/FINISHES:

Structure material: Die-casting aluminium
Structure finish: Grey, White, Black, Silver

Diffuser Material:
Clear temper glass

SAMPLE FOR STICK LABELS:

Product Description **YOUR LOGO®**
6W LED LAWN BOLLARD LIGHT

Color Temp 3000K	Protection IP54
Power Supply 100-240V AC, 50-60Hz	Power Rate 6W

Product Part #: xxxxxxxx

+86 574 62805278
+86 574 62805277
sales@schtlite.com
www.schtlite.com

#49, Changxin Road, Yuyao City, Ningbo Of Zhejiang, China

Stick Label of box & carton

6W LED LAWN BOLLARD LIGHT **YOUR LOGO®**
Product Part #: xxxxxxxx

Power: 6W	Input: 100-240V AC, 50-60Hz	Protection: IP54
-----------	-----------------------------	------------------

Stick Label of Lamp Body

Energy Consumption Label

Not dimmable LED in warm white	A++	LED	ENERGY CLASS энергия - эффективность
	A+		
	A		
	B		
	C		
	D		
	E		

≥80 CRI
2.7 kwh/1000h
90 degree Beam Angle
6W Max LED Watt
3000K Color Temperature
0%~95% Environmental Humidity
380lm Minimum luminous flux
-35°C~65°C Environmental Temperature

Energy Consumption Lable

SCHTLITE LIGHT CO., LIMITED

Office and Factory
#49, Changxin Road, Yuyao City, Ningbo Of Zhejiang, China
Tel: +86-574-62805278 Fax: +86-574-62805277
Email: sales@schtlite.com

service at alibaba.com
we have our website at alibaba.com for all of our outdoor series of lighting with the page :
peterlamps.en.alibaba.com



For installation of LED Bollard Light
Model : LB5120MCD

IP65



DESCRIPTION:

Ground mounted type designed for lawn ground installation. Extruded aluminum body and anti-Shock & anti-UV PMMA as its' diffuser ,

Available in various finishes : white , grey, black ,etc.,

TECHNICAL CHARACTERISTICS:

Type: LED Lawn Bollard Type

IP Protection degrees: IP65

IP Protection degrees: IK08

Safety Class : Class-I

Working Temperature : -35°C ~ +65°C

Voltage/Frequency : 100-240V ,50/60HZ



LED SPECIFICATIONS:

Item No.: LB9120MCD/R

LEDs: EVERLIGHT SMD2835 36LEDs,10W

LED Source : 3000K/4000K,CRI≥80,780lm

Item No.: LB9120MCD/Q

LEDs: EVERLIGHT SMD2835 36LEDs,10W

LED Source : 3000K/4000K,CRI≥80,780lm

PACKING DETAILS:

Height: 665mm

Carton Size: ---cm

Gross Weight (Kg) : ---Kg

QTY/Carton : 4PC

Height: 1020mm

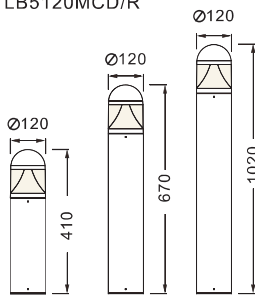
Carton Size: ---cm

Gross Weight (Kg) : ---Kg

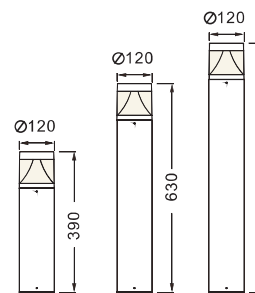
QTY/Carton : 4PC



LB5120MCD/R



LB5120MCD/Q



MATERIALS/FINISHES:

Structure material: Die-casting aluminium
Structure finish: Grey, White, Black, Silver

Diffuser Material:
Anti-UV PMMA

SAMPLE FOR STICK LABELS:

Product Description **YOUR LOGO®**

10W LED LAWN BOLLARD LIGHT

Color Temp 3000K	Protection IP65
Power Supply 100-240V AC, 50-60Hz	Power Rate 10W

Product Part #: xxxxxxxx

+86 574 62805278
+86 574 62805277
sales@schtlite.com
www.schtlite.com

#49, Changxin Road, Yuyao City, Ningbo Of Zhejiang, China

Stick Label of box & carton

10W LED LAWN BOLLARD LIGHT **YOUR LOGO®**

Product Part #: xxxxxxxx

Power: 10W	Input:100-240V AC, 50-60Hz	Protection: IP65
------------	----------------------------	------------------

Stick Label of Lamp Body

Not dimmable LED in warm white

ENERGY CLASS

A++	A+	A	B	C	D	E
-----	----	---	---	---	---	---

LED

≥80	CRI
2.7	kwh/1000h
90 degree	Beam Angle
10W	Max LED Watt
3000K	Color Temperature
0%~95%	Environmental Humidity
780lm	Minimum Luminous flux
-35°C~65°C	Environmental Temperature

Energy Consumption Lable



SCHTLITE LIGHT CO., LIMITED

Office and Factory
#49, Changxin Road, Yuyao City ,Ningbo Of Zhejiang ,China
Tel: +86-574-62805278 Fax: +86-574-62805277
Email : sales@schtlite.com

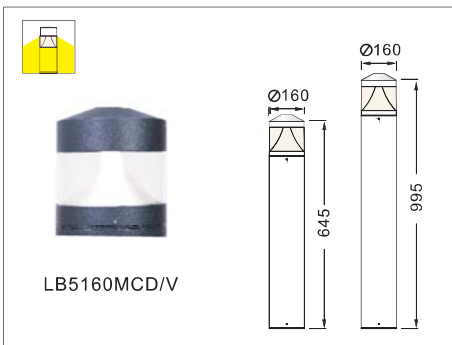
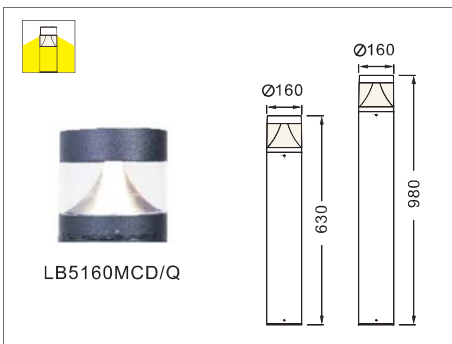
service at alibaba.com
we have our website at alibaba.com for all of our outdoor series of lighting with the page : peterlamps.en.alibaba.com



For installation of LED Bollard Light

Model : LB5160MCD

IP65



DESCRIPTION:

Ground mounted type designed for lawn ground installation. Extruded aluminum body and anti-Shock & anti-UV PMMA as its' diffuser ,

Available in various finishes : white , grey, black ,etc.,

TECHNICAL CHARACTERISTICS:

Type: LED Lawn Bollard Type

IP Protection degrees: IP65

IP Protection degrees: IK08

Safety Class : Class-I

Working Temperature : -35°C ~ +65°C

Voltage/Frequency : 100-240V ,50/60HZ



LED SPECIFICATIONS:

Item No.: LB9160MCD/R
LB9160MCD/Q
LB9160MCD/V

LEDs: EVERLIGHT SMD2835 40LEDs,20W

LED Source : 3000K/4000K,CRI≥80,1650lm



PACKING DETAILS:

Height: 665mm

Carton Size: ---cm

Gross Weight (Kg) : ---Kg

QTY/Carton : 4PC

Height: 1050mm

Carton Size: ---cm

Gross Weight (Kg) : ---Kg

QTY/Carton : 4PC



MATERIALS/FINISHES:

Structure material: Die-casting aluminium
Structure finish: Grey, White, Black, Silver

Diffuser Material:
Anti-UV PMMA

SAMPLE FOR STICK LABELS:

Product Description **YOUR LOGO®**

18W LED LAWN BOLLARD LIGHT

Color Temp 3000K	Protection IP65
Power Supply 100-240V AC, 50-60Hz	Power Rate 18W

Product Part #: xxxxxxxx

+86 574 62805278
+86 574 62805277
sales@schtlite.com
www.schtlite.com

#49, Changxin Road, Yuyao City, Ningbo Of Zhejiang, China

Stick Label of box & carton

18W LED LAWN BOLLARD LIGHT **YOUR LOGO®**

Product Part #: xxxxxxxx

Power: 18W	Input:100-240V AC, 50-60Hz	Protection: IP65
------------	----------------------------	------------------

Stick Label of Lamp Body

ENERGY CLASS

Not dimmable LED in warm white

≥80	CRI
2.7	kwh/1000h
90 degree	Beam Angle
18W	Max LED Watt
3000K	Color Temperature
0%~95%	Environmental Humidity
1650lm	Minimum luminous flux
-35°C~65°C	Environmental Temperature

Energy Consumption Lable

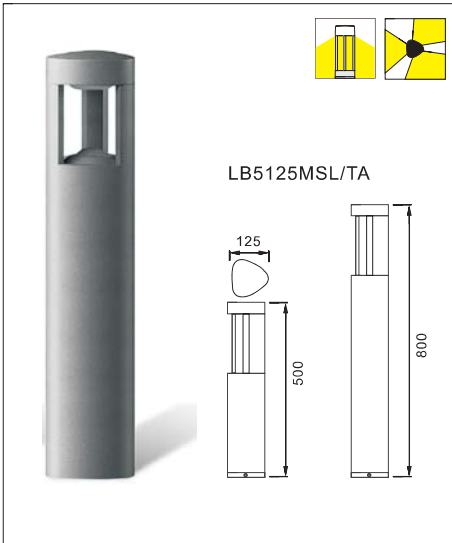
SCHTLITE LIGHT CO., LIMITED

Office and Factory
#49, Changxin Road, Yuyao City ,Ningbo Of Zhejiang ,China
Tel: +86-574-62805278 Fax: +86-574-62805277
Email : sales@schtlite.com

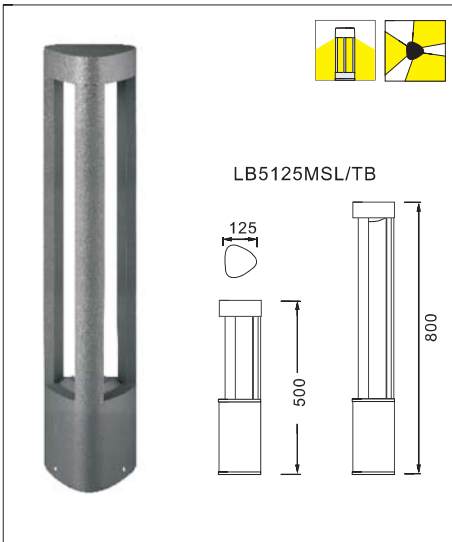
service at alibaba.com
we have our website at alibaba.com
for all of our outdoor series of lighting
with the page :
peterlamps.en.alibaba.com



For installation of LED Bollard Light
Model : LB5125MSL/TA , LB5125MSL/TB



LB5125MSL/TA



LB5125MSL/TB



DESCRIPTION:

Ground mounted type designed for lawn ground installation. Extruded aluminum body and anti-Shock & anti-UV PMMA as its' diffuser ,

Available in various finishes : white , grey, black ,etc.,

TECHNICAL CHARACTERISTICS:

Type: LED Lawn Bollard Type
IP Protection degrees: IP65
IK Protection degrees: IK08
Safety Class : Class-I
Working Temperature : -35°C ~ +65°C
Voltage/Frequency : 100-240V ,50/60HZ



LED SPECIFICATIONS:

Item No.:	LB5125MSL/TA	Item No.:	LB5125MSL/TB
LEDs:	SMD2835 48LEDs,12W	LEDs:	SMD2835 48LEDs,12W
LED Source :	3000K/4000K,CRI≥80,780lm	LED Source :	3000K/4000K,CRI≥80,780lm

PACKING DETAILS:

Height:	50cm	Height:	80cm
Carton Size:	52*28*45cm	Carton Size:	82*28*45cm
Gross Weight (Kg) :	20Kg	Gross Weight (Kg) :	22Kg
QTY/Carton :	6PC	QTY/Carton :	6PC



MATERIALS/FINISHES:

Structure material: Die-casting aluminium
Structure finish: Grey, White, Black, Silver

Diffuser Material:
Anti-UV PMMA

SAMPLE FOR STICK LABELS:

Product Description **YOUR LOGO®**
12W LED LAWN BOLLARD LIGHT

Color Temp 3000K	Protection IP44
Power Supply 100-240V AC, 50-60Hz	Power Rate 12W

Product Part #: xxxxxxxx

+86 574 62805278
+86 574 62805277
sales@schtlite.com
www.schtlite.com

#49, Changxin Road, Yuyao City, Ningbo Of Zhejiang, China

Stick Label of box & carton

12W LED LAWN BOLLARD LIGHT **YOUR LOGO®**
Product Part #: xxxxxxxx

Power: 12W	Input:100-240V AC, 50-60Hz	Protection: IP44
------------	----------------------------	------------------

Stick Label of Lamp Body

ENERGY CLASS
A++ A+ A B C D E

Not dimmable LED in warm white

≥80	CRI
2.7	kwh/1000h
90 degree	Beam Angle
12W	Max LED Watt
3000K	Color Temperature
0%~95%	Environmental Humidity
780lm	Minimum luminous flux
-35°C~65°C	Environmental Temperature

Energy Consumption Lable

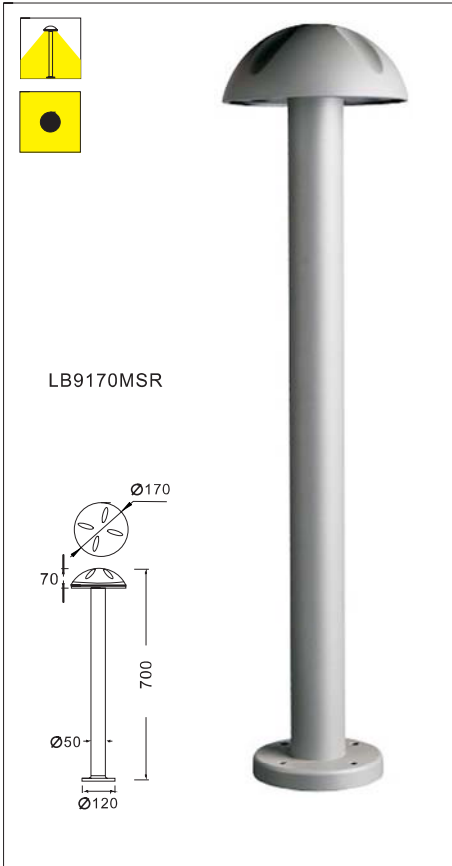
SCHTLITE LIGHT CO., LIMITED

Office and Factory
#49, Changxin Road, Yuyao City ,Ningbo Of Zhejiang ,China
Tel: +86-574-62805278 Fax: +86-574-62805277
Email : sales@schtlite.com

service at alibaba.com
we have our website at alibaba.com
for all of our outdoor series of lighting
with the page :
peterlamps.en.alibaba.com



For installation of LED Bollard Light
Model : LB9170MSR



DESCRIPTION:

Ground mounted type designed for lawn ground installation.
Extruded aluminum body, anti-Shock & anti-UV PMMA as its' diffuser.

Available in various finishes : white , grey, black ,etc.,

TECHNICAL CHARACTERISTICS:

Type:	LED Lawn Bollard Type
IP Protection degrees:	IP53
IK Protection degrees:	IK08
Safety Class :	Class-I
Working Temperature :	-35°C ~ +65°C
Voltage/Frequency :	100-240V ,50/60HZ

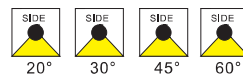


LED SPECIFICATIONS:

Item No.:	LB9170MSR.H70
LEDs:	EPISTAR 8LEDs,12W
LED Source :	3000K/4000K,CRI≥80,980lm
Beam Angle:	20° , 30° , 45° , 60°
Height:	70cm

PACKING DETAILS:

Carton Size:	72*53*36cm
Gross Weight (Kg) :	13Kg
QTY/Carton :	6PC



MATERIALS/FINISHES:

Structure material: Die-casting aluminum
Structure finish: Grey, White, Black, Silver

Diffuser Material:
Anti-UV PMMA

SAMPLE FOR STICK LABELS:

Product Description **YOUR LOGO®**
12W LED LAWN BOLLARD LIGHT

Color Temp 3000K	Protection IP53
Power Supply 100-240V AC, 50-60Hz	Power Rate 12W

Product Part #: XXXXXXX

#49, Changxin Road, Yuyao City, Ningbo Of Zhejiang, China

+86 574 62805278
+86 574 62805277
sales@schtlite.com
www.schtlite.com

CLASS I, EEC A, IP53, IK08, CE

Stick Label of box & carton

12W LED LAWN BOLLARD LIGHT YOUR LOGO®
Product Part #: xxxxxxxx

Power: 12W	Input:100-240V AC, 50-60Hz	Protection: IP53
------------	----------------------------	------------------

Stick Label of Lamp Body

ENERGY CLASS
энергия - экономия

LED	≥80	CRI
LED	2.7	kwh/1000h
LED	90 degree	Beam Angle
LED	12W	Max LED Watt
LED	3000K	Color Temperature
LED	0%~95%	Environmental Humidity
LED	980lm	Minimum luminous flux
LED	-35°C~65°C	Environmental Temperature

Not dimmable LED in warm white

Energy Consumption Lable

SCHTLITE LIGHT CO., LIMITED

Office and Factory
#49, Changxin Road, Yuyao City, Ningbo Of Zhejiang, China
Tel: +86-574-62805278 Fax: +86-574-62805277
Email: sales@schtlite.com

service at alibaba.com
we have our website at alibaba.com for all of our outdoor series of lighting with the page : peterlamps.en.alibaba.com



For installation of LED Bollard Light
Model : LB5118TNY/RA , LB5118TNY/RB

IP65



LB5118TNY/RA

DESCRIPTION:

Ground mounted type designed for lawn ground installation. Extruded aluminum body and anti-Shock & anti-UV PMMA as its' diffuser ,

Available in various finishes : white , grey, black , etc.,

TECHNICAL CHARACTERISTICS:

Type: LED Lawn Bollard Type

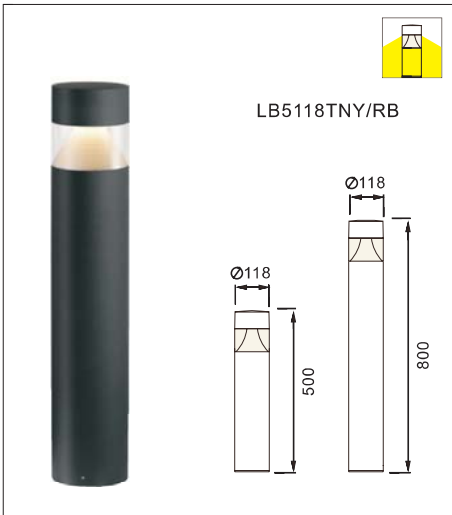
IP Protection degrees: IP65

IK Protection degrees: IK08

Safety Class : Class-I

Working Temperature : -35°C ~ +65°C

Voltage/Frequency : 100-240V ,50/60HZ



LB5118TNY/RB

LED SPECIFICATIONS:

Item No.: LB5118TNY/RA

LEDs: SMD2835 42LEDs,10W

LED Source : 3000K/4000K,CRI≥80,650lm

Item No.: LB5118TNY/RB

LEDs: SMD2835 42LEDs,10W

LED Source : 3000K/4000K,CRI≥80,650lm

PACKING DETAILS:

Height: 50cm

Carton Size: 53.5*28*28.5cm

Gross Weight (Kg) : 10.5Kg

QTY/Carton : 4PC

Height: 80cm

Carton Size: 83.5*28*28.5cm

Gross Weight (Kg) : 13.5Kg

QTY/Carton : 4PC

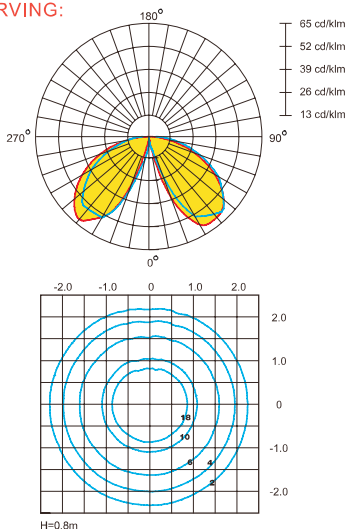


MATERIALS/FINISHES:

Structure material: Die-casting aluminum
Structure finish: Grey, White, Black, Silver

Diffuser Material:
Temper glass/Anti-UV PMMA

CURVING:



SAMPLE FOR STICK LABELS:

Product Description **YOUR LOGO®**
10W LED LAWN BOLLARD LIGHT

Color Temp 3000K	Protection IP65
Power Supply 100-240V AC, 50-60Hz	Power Rate 10W

Product Part #: xxxxxxxx

#49, Changxin Road, Yuyao City, Ningbo Of Zhejiang, China

Stick Label of box & carton

10W LED LAWN BOLLARD LIGHT **YOUR LOGO®**
Product Part #: xxxxxxxx

Power: 10W	Input:100-240V AC, 50-60Hz	Protection: IP65
------------	----------------------------	------------------

Stick Label of Lamp Body

ENERGY CLASS
A++ A+ A B C D E

LED in warm white

≥80	CRI
2.7	kwh/1000h
90 degree	Beam Angle
10W	Max LED Watt
3000K	Color Temperature
0%~95%	Environmental Humidity
650lm	Minimum Luminous flux
-35°C~65°C	Environmental Temperature

Energy Consumption Lable

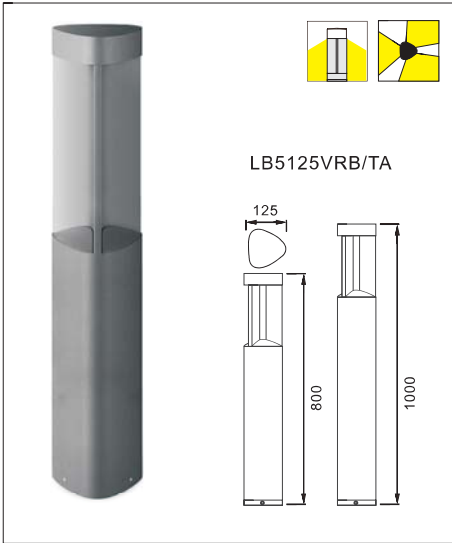
SCHTLITE LIGHT CO., LIMITED

Office and Factory
#49, Changxin Road, Yuyao City, Ningbo Of Zhejiang, China
Tel: +86-574-62805278 Fax: +86-574-62805277
Email: sales@schtlite.com

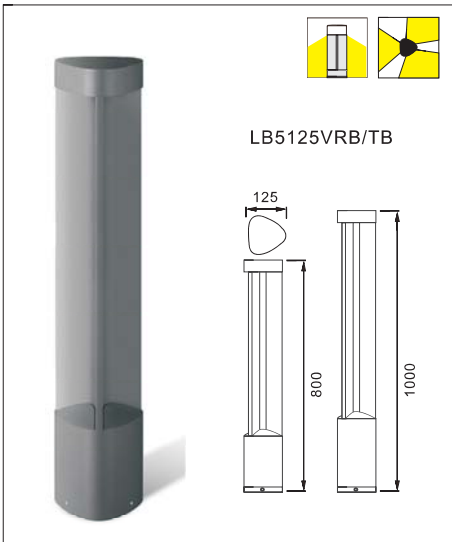
service at alibaba.com
we have our website at alibaba.com for all of our outdoor series of lighting with the page : peterlamps.en.alibaba.com



For installation of LED Bollard Light
Model : LB5125VRB/TA , LB5125VRB/TB



LB5125VRB/TA



LB5125VRB/TB



Max. 18W Available

DESCRIPTION:

Ground mounted type designed for lawn ground installation. Extruded aluminum body and anti-Shock & anti-UV PMMA as its' diffuser ,

Available in various finishes : white , grey, black ,etc.,

TECHNICAL CHARACTERISTICS:

Type: LED Lawn Bollard Type
 IP Protection degrees: IP65
 IK Protection degrees: IK08
 Safety Class : Class-I
 Working Temperature : -35°C ~ +65°C
 Voltage/Frequency : 100-240V ,50/60HZ



LED SPECIFICATIONS:

Item No.:	LB5125VRB/TA	Item No.:	LB5125VRB/TB
LEDs:	SMD2835 48LEDs,12W	LEDs:	SMD2835 48LEDs,12W
LED Source :	3000K/4000K,CRI≥80,780lm	LED Source :	3000K/4000K,CRI≥80,780lm

PACKING DETAILS:

Height:	50cm	Height:	80cm
Carton Size:	52*28*45cm	Carton Size:	82*28*45cm
Gross Weight (Kg) :	20Kg	Gross Weight (Kg) :	22Kg
QTY/Carton :	6PC	QTY/Carton :	6PC



MATERIALS/FINISHES:

Structure material: Die-casting aluminium
Structure finish: Grey, White, Black, Silver

Diffuser Material:
 Anti-UV PMMA

SAMPLE FOR STICK LABELS:

Product Description **YOUR LOGO®**
12W LED LAWN BOLLARD LIGHT

Color Temp 3000K	Protection IP44
Power Supply 100-240V AC, 50-60Hz	Power Rate 12W

Product Part #: xxxxxxxx

+86 574 62805278
 +86 574 62805277
 sales@schtlite.com
 www.schtlite.com

#49, Changxin Road, Yuyao City, Ningbo Of Zhejiang, China

Stick Label of box & carton

12W LED LAWN BOLLARD LIGHT **YOUR LOGO®**
 Product Part #: xxxxxxxx

Power: 12W	Input:100-240V AC, 50-60Hz	Protection: IP44
------------	----------------------------	------------------

Stick Label of Lamp Body

ENERGY CLASS
 энергия - эффективность

LED	≥80	CRI
LED	2.7	kwh/1000h
LED	90 degree	Beam Angle
LED	12W	Max LED Watt
LED	3000K	Color Temperature
LED	0%~95%	Environmental Humidity
LED	780lm	Minimum luminous flux
LED	-35°C~65°C	Environmental Temperature

Energy Consumption Lable

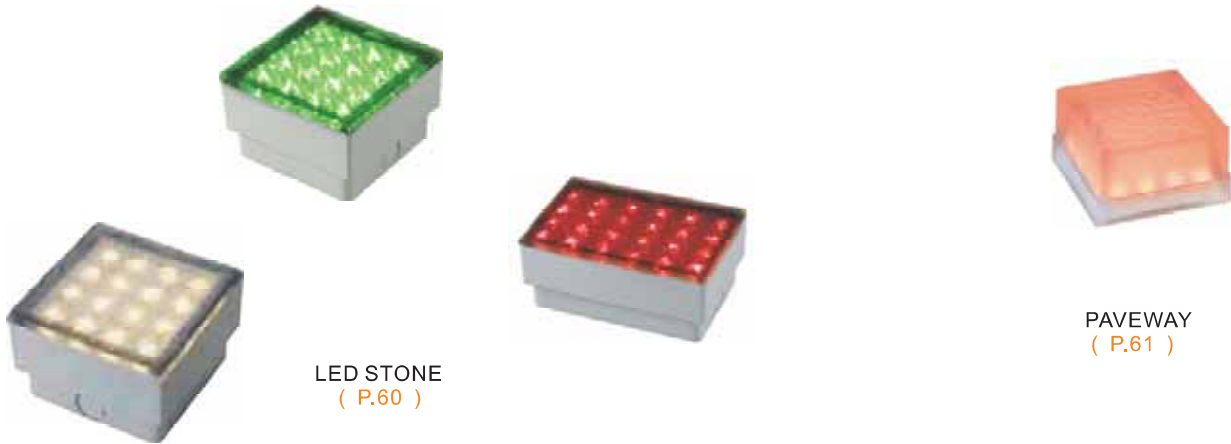
SCHTLITE LIGHT CO., LIMITED

Office and Factory
 #49, Changxin Road, Yuyao City ,Ningbo Of Zhejiang ,China
 Tel: +86-574-62805278 Fax: +86-574-62805277
 Email : sales@schtlite.com

service at alibaba.com
 we have our website at alibaba.com for all of our outdoor series of lighting with the page :
peterlamps.en.alibaba.com



2.2. LED BRICK LIGHT : (P.59 - P.61)



LED STONE
(P.60)

PAVEWAY
(P.61)

BK5100SQ/PC

“BK”= abbreviated from “BRICK”
 “5”=made of SMD LED
 “100”=diameter in 100mm
 “SQ”=shape in square
 “PC”=made of PC material

BK5100SQ/GL

“BK”= abbreviated from “BRICK”
 “5”=made of SMD LED
 “100”=diameter in 100mm
 “SQ”=shape in square
 “GL”=made of glass material

2.3. LED WOOD DECK LIGHT : (P.62 - P.64)



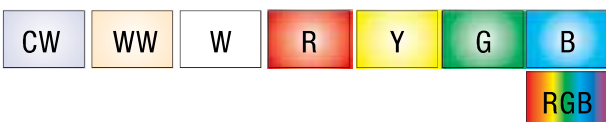
MANILA59
(P.62)

MANILA40
(P.63)

SLIM
(P.64)

WD5055SQ/RGB

“WD”= abbreviated from “WOOD DECK”
 “5”=made of SMD LED
 “055”=diameter in 55mm
 “SQ”=shape in square
 “RGB”=applicable of RGB



For Installation of LED Underground Buried Type
Model :BK5080SQ/PC , BK50100SQ/PC , BK5150.100PC

IP67

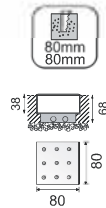


applicable of car driving over,
resistance of weight 2500kgs.



BK5080SQ/PC

kg/unit
0.3



DESCRIPTION:

Underground Buried mount type light designed for path/walkway illumance. Anti-Shock & anti-UV polyester/PC as its' diffuser and lamp body , Available in various led colors finishes : white , red , blue , green etc.,

and LEDs specification as below listed .

TECHNICAL CHARACTERISTICS:

Type: LED Underground Type

IP Protection degrees: IP67

IK Protection degrees: IK12

Safety Class : Class-II / Class-III

Working Temperature : -35℃ ~ +65℃

Voltage/Frequency : 220-240V ,50/60Hz
12V AC/DC

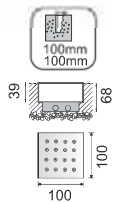


applicable of car driving over,
resistance of weight 2500kgs.



BK5100SQ/PC

kg/unit
0.42

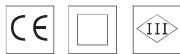


LED SPECIFICATIONS:

Item No.:	BK5080SQ/PC	Item No.:	BK50100SQ/PC	Item No.:	BK5150.100PC
LEDs:	SMD 9LEDs,0.8W,45lm	LEDs:	SMD 16LEDs,1.5W,80lm	LEDs:	SMD 24LEDs,2W,120lm
LEDs:	3000K/4000K,CRI≥80	LEDs:	3000K/4000K,CRI≥80	LEDs:	3000K/4000K,CRI≥80

PACKING DETAILS:

Carton Size : 42*20*20cm	Carton Size : 26*24*24cm	Carton Size : 34*24*18cm
G.W.:(Kg) : 7Kg	G.W.:(Kg) : 5.6Kg	G.W.:(Kg) : 6.8Kg
QTY/Carton : 20PC	QTY/Carton : 12PC	QTY/Carton : 8PC



applicable of car driving over,
resistance of weight 2500kgs.



MATERIALS/FINISHES:

Structure material: ABS

Structure finish: Grey, White, Black, Silver

Diffuser Material:

Anti-UV PC/Polycarbonate

SAMPLE FOR STICK LABELS:

Product Description **YOUR LOGO®**

0.8W LED BRICK LIGHT

Color Temp 3000K	Protection IP67
Power Supply 220-240V AC, 50-60Hz	Power Rate 0.8W

Product Part #: xxxxxxx

+86 574 62805278
+86 574 62805277
sales@schtlite.com
www.schtlite.com

#49, Changxin Road, Yuyao City, Ningbo Of Zhejiang, China

Stick Label of box & carton

0.8W LED BRICK LIGHT **YOUR LOGO®**

Product Part #: xxxxxxx

Power: 0.8W	Input: 220-240V AC, 50-60Hz	Protection: IP67
-------------	-----------------------------	------------------

Stick Label of Lamp Body

ENERGY LABEL

Not dimmable LED in warm white

A++ A+ A B C D E

LED

≥80	CRI
2.7	kwh/1000h
105 degree	Beam Angle
0.8W	Max LED Watt
3000K	Color Temperature
0%~95%	Environmental Humidity
45lm	Minimum luminous flux
-20℃~80℃	Environmental Temperature

Energy Consumption Lable

SCHTLITE LIGHT CO., LIMITED

Office and Factory
#49, Changxin Road, Yuyao City, Ningbo Of Zhejiang, China
Tel: +86-574-62805278 Fax: +86-574-62805277
Email: sales@schtlite.com

service at alibaba.com
we have our website at alibaba.com
for all of our outdoor series of lighting
with the page :
peterlamps.en.alibaba.com



For Installation of LED Underground Buried Type
Model : BK5100SQ/GL ,BK5100SQ/GL.RGB

IP67

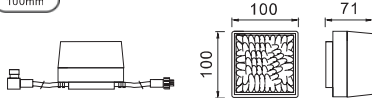


not applicable of car driving over



BK5100SQ/GL

BK5100SQ/GL.RGB



Back side Viewing



4-pin cable connector
(for RGB)



DESCRIPTION:

Wall surface mounted type light designed for wall surface installation. Prismatic glass and anti-Shock & anti-UV polyester/PC as it's lamp body, Available in various led colors finishes : white , red , blue , green etc.,

TECHNICAL CHARACTERISTICS:

Type: LED Underground Type

IP Protection degrees: IP67

Safety Class : Class-II / Class-III

Working Temperature : -35°C ~ +65°C

Voltage/Frequency : 220-240V AC ,50/60HZ
12V AC/DC



LED SPECIFICATIONS:

Item No.: BK5100SQ/GL

LEDs: SMD 16LEDs,1.5W,75lm

LEDs: 3000K/4000K,CRI≥80

Item No.: BK5100SQ/GL.RGB

LEDs: SMD 16LEDs,1.5W,RGB

LEDs: 3000K/4000K,CRI≥80

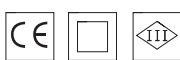
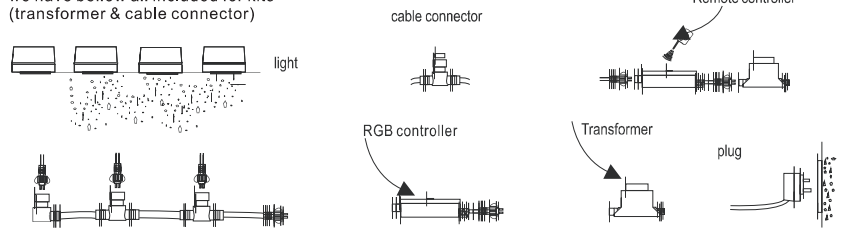
PACKING DETAILS:

Carton Size : ---cm

G.W.:(Kg) : ---Kg

QTY/Carton : ---PC

Note:
we have bellow all included for kits
(transformer & cable connector)



not applicable of car driving over,



MATERIALS/FINISHES:

Structure material: Plastic + Glass

Structure finish: Frost Glass

Diffuser Material:

Frost Prismatic Glass

SAMPLE FOR STICK LABELS:

Product Description **YOUR LOGO®**

1.5W LED BRICK LIGHT

Color Temp 3000K	Protection IP67
Power Supply 220-240V AC, 50-60Hz	Power Rate 1.5W

Product Part #: xxxxxxx

+86 574 62805278
+86 574 62805277
sales@schtlite.com
www.schtlite.com

#49, Changxin Road, Yuyao City, Ningbo Of Zhejiang, China

Stick Label of box & carton

1.5W LED BRICK LIGHT **YOUR LOGO®**

Product Part #: xxxxxxx

Power: 1.5W	Input: 220-240V AC, 50-60Hz	Protection: IP67
-------------	-----------------------------	------------------

Stick Label of Lamp Body

ENERGY LABEL

Not dimmable LED in warm white

A++	≥80	CRI
A+	2.7	kwh/1000h
A	105 degree	Beam Angle
B	1.5W	Max LED Watt
C	3000K	Color Temperature
D	0%~95%	Environmental Humidity
E	75lm	Minimum luminous flux
	-20°C~60°C	Environmental Temperature

Energy Consumption Lable

SCHTLITE LIGHT CO., LIMITED

Office and Factory
#49, Changxin Road, Yuyao City, Ningbo Of Zhejiang, China
Tel: +86-574-62805278 Fax: +86-574-62805277
Email: sales@schtlite.com

service at alibaba.com
we have our website at alibaba.com
for all of our outdoor series of lighting
with the page :
peterlamps.en.alibaba.com



For Installation of LED Wood Deck Recessed Type
Model : WD5040MNL/R ,WD9040MNL/R

IP65



DESCRIPTION:

Wood recess mounted type light designed for ground ,cabinet and wall installation . Aluminum body and anti-Shock & anti-UV polyester/PC as its' diffuser ,

Outlook in aluminum anodized . Available in various led colors finishes : white , red , blue , green & RGB etc. ,

TECHNICAL CHARACTERISTICS:

Type:	LED Wood Deck Recessed Type
IP Protection degrees:	IP65
IK Protection degrees:	IK06
Safety Class :	Class-III
Working Temperature :	-35°C ~ +65°C
Voltage/Frequency :	AC/DC 12V ,50/60HZ

LED SPECIFICATIONS:

Item No.:	WD5040MNL/R WD5040MNL/SQ	Item No.:	WD9040MNL/R WD9040MNL/SQ
LEDs:	SMD2835 6LEDs,0.5W,15°	LEDs:	CREE 1LEDs,1W,30°
LED Source :	3000K/4000K,CRI≥70,25lm	LED Source :	3000K/4000K,CRI≥70,90lm

PACKING DETAILS:

Carton Size:	32*32*38cm	Carton Size:	32*32*38cm
Gross Weight (Kg) :	---Kg	Gross Weight (Kg) :	---Kg
QTY/Carton :	50PC	QTY/Carton :	50PC

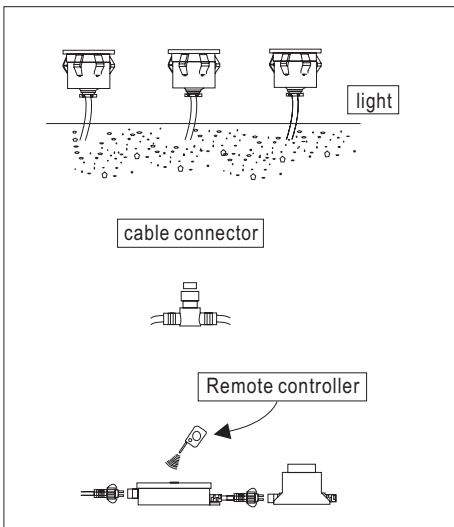


MATERIALS/FINISHES:

Structure material: aluminum
Structure finish: aluminum anodized

Diffuser Material:
Anti-UV PC/Polycarbonate

SAMPLE FOR STICK LABELS:



Product Description **YOUR LOGO®**

0.5W LED BRICK LIGHT

Color Temp 3000K	Protection IP65
Power Supply 12V AC/DC, 50-60Hz	Power Rate 0.5W

Product Part #: xxxxxxxx

+86 574 62805278
+86 574 62805277
sales@schtlite.com
www.schtlite.com

#49, Changxin Road, Yuyao City, Ningbo Of Zhejiang, China

Stick Label of box & carton

0.5W LED BRICK LIGHT **YOUR LOGO®**

Product Part #: xxxxxxxx

Power: 0.5W	Input: 12V AC/DC, 50-60Hz	Protection: IP65
-------------	---------------------------	------------------

Stick Label of Lamp Body

Energy Consumption Label

Not dimmable LED in warm white

A++	A+	A	B	C	D	E
-----	----	---	---	---	---	---

LED

≥70	CRI
2.7	kwh/1000h
105 degree	Beam Angle
0.5W	Max LED Watt
3000K	Color Temperature
0%~95%	Environmental Humidity
25lm	Minimum luminous flux
-20°C~60°C	Environmental Temperature

Energy Consumption Lable

SCHTLITE LIGHT CO., LIMITED

Office and Factory
#49, Changxin Road, Yuyao City ,Ningbo Of Zhejiang ,China
Tel: +86-574-62805278 Fax: +86-574-62805277
Email : sales@schtlite.com

service at alibaba.com
we have our website at alibaba.com for all of our outdoor series of lighting with the page : peterlamps.en.alibaba.com



For Installation of LED Wood Deck Recessed Type
Model : WD5059MNL/R , WD9059MNL/R

IP65



DESCRIPTION:

Wood recess mounted type light designed for ground ,cabinet and wall installation . Aluminum body and anti-Shock & anti-UV polyester/PC as its' diffuser ,

Outlook in aluminum anodized . Available in various led colors finishes : white , red , blue , green & RGB etc.,

TECHNICAL CHARACTERISTICS:

Type:	LED Wood Deck Recessed Type
IP Protection degrees:	IP65
IK Protection degrees:	IK06
Safety Class :	Class-III
Working Temperature :	-35°C ~ +65°C
Voltage/Frequency :	AC/DC 12V ,50/60HZ

LED SPECIFICATIONS:

Item No.:	WD5059MNL/R WD5059MNL/SQ	Item No.:	WD9059MNL/R WD9059MNL/SQ
LEDs:	SMD2835 9LEDs,0.5W,15°	LEDs:	CREE 1LEDs,1W,30°
LED Source :	3000K/4000K,CRI≥70,25lm	LED Source :	3000K/4000K,CRI≥70,90lm

PACKING DETAILS:

Carton Size:	37*37*20cm	Carton Size:	37*37*20cm
Gross Weight (Kg) :	---Kg	Gross Weight (Kg) :	---Kg
QTY/Carton :	50PC	QTY/Carton :	50PC

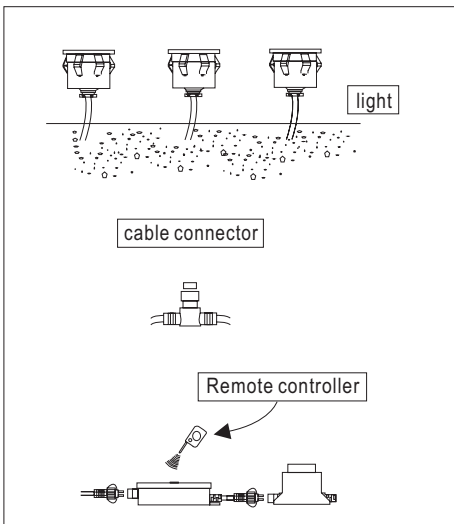


MATERIALS/FINISHES:

Structure material: aluminum
Structure finish: aluminum anodized

Diffuser Material:
Anti-UV PC/Polycarbonate

SAMPLE FOR STICK LABELS:



Product Description **YOUR LOGO®**

0.5W LED BRICK LIGHT

Color Temp 3000K	Protection IP65
Power Supply 12V AC/DC, 50-60Hz	Power Rate 0.5W

Product Part #: xxxxxxxx

+86 574 62805278
+86 574 62805277
sales@schtlite.com
www.schtlite.com

#49, Changxin Road, Yuyao City, Ningbo Of Zhejiang, China

Stick Label of box & carton

0.5W LED BRICK LIGHT **YOUR LOGO®**

Product Part #: xxxxxxxx

Power: 0.5W	Input: 12V AC/DC, 50-60Hz	Protection: IP65
-------------	---------------------------	------------------

Stick Label of Lamp Body

ENERGY CLASS

Not dimmable LED in warm white

A++	A+	A	B	C	D	E
-----	----	---	---	---	---	---

LED

≥70	CRI
2.7	kwh/1000h
105 degree	Beam Angle
0.5W	Max LED Watt
3000K	Color Temperature
0%~95%	Environmental Humidity
25lm	Minimum luminous flux
-20°C~60°C	Environmental Temperature

Energy Consumption Lable

SCHTLITE LIGHT CO., LIMITED

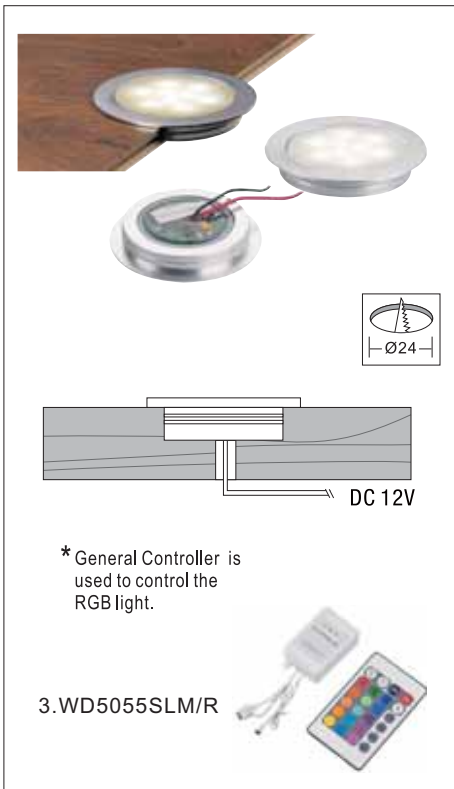
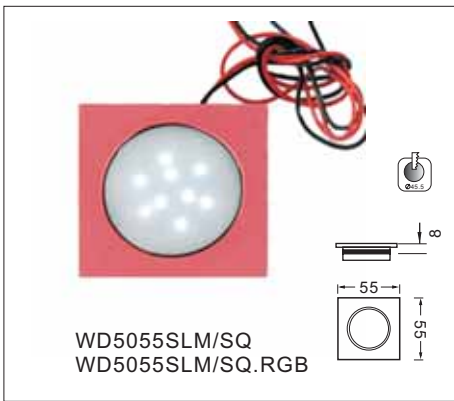
Office and Factory
#49, Changxin Road, Yuyao City ,Ningbo Of Zhejiang ,China
Tel: +86-574-62805278 Fax: +86-574-62805277
Email : sales@schtlite.com

service at alibaba.com
we have our website at alibaba.com for all of our outdoor series of lighting with the page : peterlamps.en.alibaba.com



For Installation of LED Wood Deck Recessed Type
Model : WD5055SLM/R , WD5055SLM/SQ

IP65



DESCRIPTION:

Wood recess mounted type light designed for ground ,cabinet and wall installation . Aluminum body and anti-Shock & anti-UV polyester/PC as its' diffuser ,

Outlook in aluminum anodized . Available in various led colors finishes : white , red , blue , green & RGB etc. ,

TECHNICAL CHARACTERISTICS:

Type:	LED Wood Deck Recessed Type
IP Protection degrees:	IP67
IK Protection degrees:	IK06
Safety Class :	Class-II / Class-III
Working Temperature :	-35°C ~ +65°C
Voltage/Frequency :	AC/DC 12V ,50/60HZ

LED SPECIFICATIONS:

Item No.:	WD5055SLM/R WD5055SLM/SQ	Item No.:	WD5055SLM/R.RGB WD5055SLM/SQ.RGB
LEDs:	SMD2835 9LEDs,0.7W,120°	LEDs:	SMD2835 9LEDs,R+G+B,120°
LED Source :	3000K/4000K,CRI≥70,45lm	LED Source :	3000K/4000K,CRI≥70,45lm

PACKING DETAILS:

Carton Size:	29*22.5*23.5cm	Carton Size:	29*22.5*23.5cm
Gross Weight (Kg) :	---Kg	Gross Weight (Kg) :	---Kg
QTY/Carton :	60PC	QTY/Carton :	60PC



MATERIALS/FINISHES:

Structure material: aluminum
Structure finish: aluminum anodized

Diffuser Material:
Anti-UV PC/Polycarbonate

SAMPLE FOR STICK LABELS:

Product Description **YOUR LOGO®**

0.7W LED BRICK LIGHT

Color Temp 3000K	Protection IP67
Power Supply 12V AC/DC, 50-60Hz	Power Rate 0.7W

Product Part #: xxxxxxxx

+86 574 62805278
+86 574 62805277
sales@schtlite.com
www.schtlite.com

#49, Changxin Road, Yuyao City, Ningbo Of Zhejiang, China

Stick Label of box & carton

0.7W LED BRICK LIGHT **YOUR LOGO®**

Product Part #: xxxxxxxx

Power: 0.7W	Input: 12V AC/DC, 50-60Hz	Protection: IP67
-------------	---------------------------	------------------

Stick Label of Lamp Body

ENERGY CLASS

Not dimmable LED in warm white

A++	≥70	CRI
A+	2.7	kwh/1000h
A	105 degree	Beam Angle
B	0.7W	Max LED Watt
C	3000K	Color Temperature
D	0%~95%	Environmental Humidity
E	45lm	Minimum luminous flux
	-20°C~60°C	Environmental Temperature

Energy Consumption Lable

SCHTLITE LIGHT CO., LIMITED

Office and Factory
#49, Changxin Road, Yuyao City ,Ningbo Of Zhejiang ,China
Tel: +86-574-62805278 Fax: +86-574-62805277
Email : sales@schtlite.com

service at alibaba.com
we have our website at alibaba.com for all of our outdoor series of lighting with the page : peterlamps.en.alibaba.com

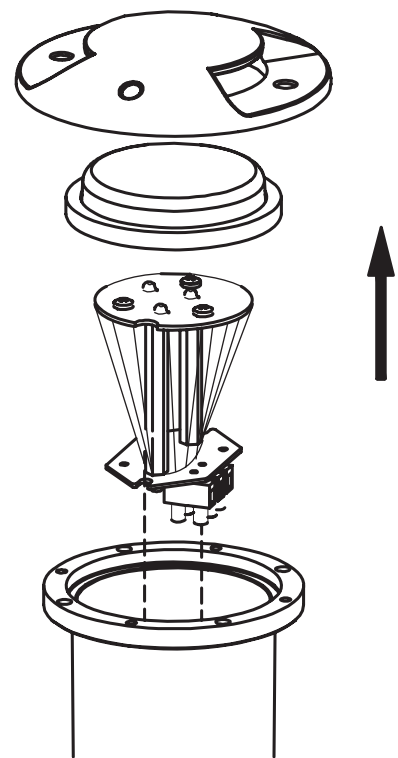
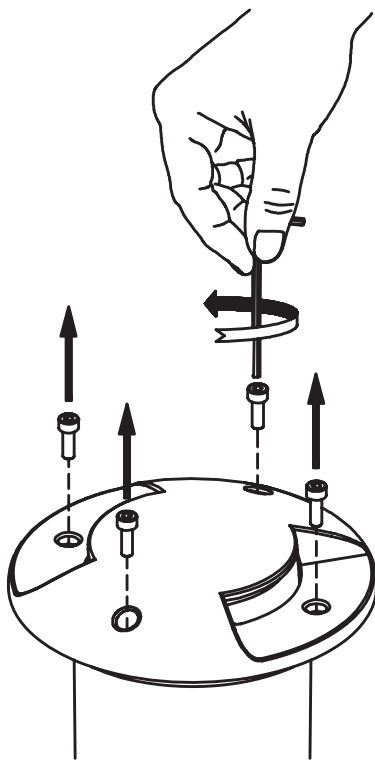


LED UNDERGROUND LIGHT

Product Category List:

2.2. LED UNDERGROUND LIGHT : (P.001 - P.012)

AVON
BADEN
BERLIN.LED
BURUNDI
CHEYENNE
CLOWN
HAMBURG
NARUTO
NARU
PRAGUE.LED
THORN



BRIEF INTRODUCTION :

Schtlite light co., ltd is a professional supplier in outdoor lighting series , who is specializing both in street lights and garden lights .

and We own a high quality team for LED industrial design, R&D, quality control and marketing. We also have very close business and technician co-operation with many well-know LED lights manufactures in China , to be sure of the best qualified and fashion lights supplying to Customers.

2.2. LED UNDERGROUND LIGHT : (P.62- P.76)



AVON
(P.63)



BADEN
(P.64)



BERLIN
(P.65)



BURUNDI
(P.66)



CHEYENNE
(P.67)



CLOWN
(P.68)



HAMBURG
(P.69)



NARUTO
(P.70-73)



PRAGUE.D1
(P.74)



THORN-COB
(P.75-76)



For installation of LED Underground Buried Type
Model : IG9058AVN/R , IG9058AVN/SQ

ST316 IP67



DESCRIPTION:

Underground buried designed for ground surface installation.
Die casting aluminum body and toughened temper glass as its diffuser .

Trim cover stainless steel 316 as its standard , to be ordered stainless 316 else.
Beam angle optional : 15° /30° /45° /60°

TECHNICAL CHARACTERISTICS:

Type: LED Underground Type
IP Protection degrees: IP67
Rated Load: 5KN
Safety Class : Class-I
Working Temperature : -35℃ ~ +65℃
Voltage/Frequency : 100-240V ,50/60HZ
12V/24V



LED SPECIFICATIONS:

Item No.: IG9058AVN/R
IG9058AVN/SQ
LEDs: EPISTAR 1LEDs,3W
LED Source : 3000K/4000K,CRI≥70,270lm



PACKING DETAILS:

Carton Size: 83.5*28*28.5cm
Gross Weight (Kg) : 13.4Kg
QTY/Carton : 4PC



MATERIALS/FINISHES:

Structure material: Die-casting aluminium
Trim finish: Stainless steel 316

Diffuser Material:
Clear/Frost temper glass

SAMPLE FOR STICK LABELS:



Product Description **YOUR LOGO®**
3W LED UNDERGROUND LIGHT

Color Temp 3000K	Protection IP67
Power Supply 100-240V AC, 50-60Hz	Power Rate 3W

Product Part #: xxxxxxxx

+86 574 62805278
+86 574 62805277
sales@schtlite.com
www.schtlite.com

#49, Changxin Road, Yuyao City, Ningbo Of Zhejiang, China

3W LED UNDERGROUND LIGHT **YOUR LOGO®**
Product Part #: xxxxxxxx

Power: 3W	Input: 100-240V AC, 50-60Hz	Protection: IP67
-----------	-----------------------------	------------------

Stick Label of Lamp Body

ENERGY CLASSIFICATION
энергия - энергия

LED in warm white	A++	≥80	CRI
	A+	2.7	kwh/1000h
	A	105 degree	Beam Angle
	B	3W	Max LED Watt
	C	3000K	Color Temperature
	D	0%~95%	Environmental Humidity
	E	270lm	Minimum luminous flux
		-20℃~60℃	Environmental Temperature

Energy Consumption Lable

Stick Label of box & carton

SCHTLITE LIGHT CO., LIMITED

Office and Factory
#49, Changxin Road, Yuyao City ,Ningbo Of Zhejiang ,China
Tel: +86-574-62805278 Fax: +86-574-62805277
Email : sales@schtlite.com

service at alibaba.com
we have our website at alibaba.com
for all of our outdoor series of lighting
with the page :
peterlamps.en.alibaba.com



For installation of LED Underground Buried Type
Model : IG9050BDN/R, IG9063BDN/R

IP67

IG5050BDN/R
IG9050BDN/R

Φ46

78

Φ50

Photometric Curve
Model NO.:HD08-W02
Lux-Distance Curve

1m	180 Lux
2m	97 Lux
3m	56 Lux
4m	22 Lux

Beam Angle: 28Deg

IG9063BDN/R
IG9063BDN/R

Φ56

74

Φ63

Photometric Curve
Model NO.:HD09-W03
Lux-Distance Curve

1m	780 Lux
2m	225 Lux
3m	101 Lux
4m	57 Lux

Beam Angle: 28Deg

Square frame to be optional

DESCRIPTION:

Underground buried designed for ground surface installation.
Die casting aluminum body and toughened temper glass as its diffuser.

Trim cover stainless steel 304 as its standard, to be ordered stainless 316 else.
Beam angle optional : 15° / 30° / 45° / 90°

TECHNICAL CHARACTERISTICS:

Type: LED Underground Type

IP Protection degrees: IP67

Rated Load: 5KN

Safety Class : Class-I

Working Temperature : -35℃ ~ +65℃

Voltage/Frequency : 100-240V ,50/60HZ
12V/24V



LED SPECIFICATIONS:

Item No.:	IG5050BDN/R IG5063BDN/R	Item No.:	IG9050BDN/R IG9063BDN/R
LEDs:	SMD 9LEDs,1W,80lm,CRI≥80	LEDs:	CREE 1LEDs,3W,240lm,CRI≥80
LEDs:	3000K/4000K,Beam Angle :15° / 90°	LEDs:	3000K/4000K,Beam Angle :15° / 30° / 45°

PACKING DETAILS:

Carton Size:	50*38*26cm	Carton Size:	41*41*32cm
Gross Weight (Kg):	17kg	Gross Weight (Kg):	15kg
QTY/Carton :	24PC	QTY/Carton :	8PC



MATERIALS/FINISHES:

Structure material: Die-casting aluminium
Trim finish: Stainless steel 304/316

Diffuser Material:
Clear/Frost temper glass

SAMPLE FOR STICK LABELS:

Product Description **YOUR LOGO®**

1W LED UNDERGROUND LIGHT

Color Temp 3000K	Protection IP67
Power Supply 100-240V AC, 50-60Hz	Power Rate 1W

Product Part #: xxxxxxx

+86 574 62805278
+86 574 62805277
sales@schtlite.com
www.schtlite.com

#49, Changxin Road, Yuyao City, Ningbo Of Zhejiang, China

Stick Label of box & carton

1W LED UNDERGROUND LIGHT **YOUR LOGO®**

Product Part #: xxxxxxx

Power: 1W	Input: 100-240V AC, 50-60Hz	Protection: IP67
-----------	-----------------------------	------------------

Stick Label of Lamp Body

ENERGY LABEL

Not dimmable LED in warm white

A++	≥80	CRI
A+	2.7	kwh/1000h
A	105 degree	Beam Angle
B	1W	Max LED Watt
C	3000K	Color Temperature
D	0%~95%	Environmental Humidity
E	80lm	Minimum luminous flux
	-20℃~60℃	Environmental Temperature

Energy Consumption Lable

SCHTLITE LIGHT CO., LIMITED

Office and Factory
#49, Changxin Road, Yuyao City, Ningbo Of Zhejiang, China
Tel: +86-574-62805278 Fax: +86-574-62805277
Email: sales@schtlite.com

service at alibaba.com
we have our website at alibaba.com for all of our outdoor series of lighting with the page :
peterlamps.en.alibaba.com



For installation of LED Underground Buried Type
Model : IG5105BLN/R , IG5105BLN/SQ

IP67



IG5105BLN/R



IG5105BLN/SQ

DESCRIPTION:

Underground buried designed for ground surface installation.
Die casting aluminum body and toughened temper glass as its diffuser ,

Trim cover stainless steel 304 as its standard , to be ordered stainless 316 else.
Beam angle optional : 10° /20° /30° /45° /60°

TECHNICAL CHARACTERISTICS:

Type: LED Underground Type
IP Protection degrees: IP67
Rated Load: 5KN
Safety Class : Class-I
Working Temperature : -35℃ ~ +65℃
Voltage/Frequency : 100-240V ,50/60HZ
12V/24V

LED SPECIFICATIONS:

Item No. : IG5105BLN/R
IG5105BLN/SQ
LEDs: 5mm 15LEDs,1.2W
LED Source : 3000K/4000K,CR>80,75lm

PACKING DETAILS:

Carton Size: 52*24*26cm
Gross Weight (Kg): 13.5kg
QTY/Carton : 20PC



MATERIALS/FINISHES:

Structure material: Die-casting aluminium
Trim finish: Stainless steel 304/316

Diffuser Material:
Clear/Frost temper glass

SAMPLE FOR STICK LABELS:

Product Description **YOUR LOGO®**
1.5W LED UNDERGROUND LIGHT

Color Temp 3000K	Protection IP67
Power Supply 100-240V AC, 50-60Hz	Power Rate 1.5W

Product Part #: xxxxxxxx

+86 574 62805278
+86 574 62805277
sales@schtlite.com
www.schtlite.com

#49, Changxin Road, Yuyao City, Ningbo Of Zhejiang, China

Stick Label of box & carton

3W LED UNDERGROUND LIGHT **YOUR LOGO®**
Product Part #: xxxxxxxx

Power: 3W	Input: 100-240V AC, 50-60Hz	Protection: IP67
-----------	-----------------------------	------------------

Stick Label of Lamp Body

ENERGY CLASS
энергия - энергия

LED	≥80	CRI
A++	2.7	kwh/1000h
A+	105 degree	Beam Angle
A	3W	Max LED Watt
B	3000K	Color Temperature
C	0%~95%	Environmental Humidity
D	270lm	Minimum luminous flux
E	-20℃~60℃	Environmental Temperature

Not dimmable
LED in warm white

Energy Consumption Lable

SCHTLITE LIGHT CO., LIMITED

Office and Factory
#49, Changxin Road, Yuyao City ,Ningbo Of Zhejiang ,China
Tel: +86-574-62805278 Fax: +86-574-62805277
Email : sales@schtlite.com

service at alibaba.com
we have our website at alibaba.com
for all of our outdoor series of lighting
with the page :
peterlamps.en.alibaba.com

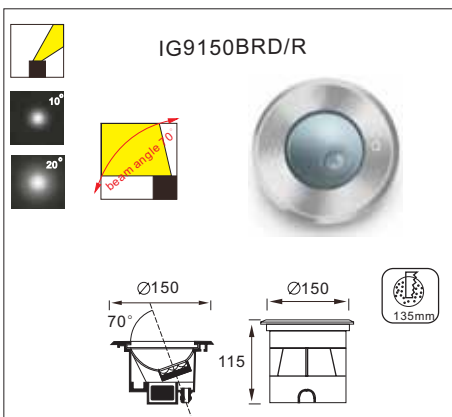


For installation of LED Underground Buried Type
Model : IG9120BRD/R , IG9150BRD/R , IG9180BRD/R

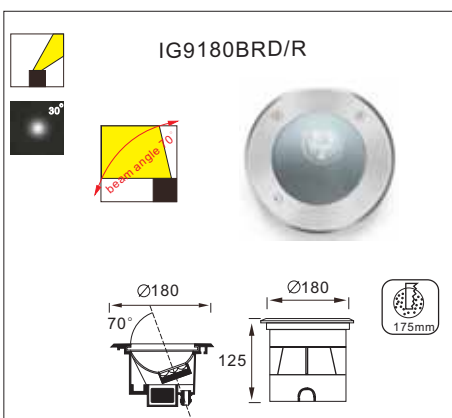
IP67



IG9120BRD/R



IG9150BRD/R



IG9180BRD/R

DESCRIPTION:

Underground buried designed for ground surface installation.
Die casting aluminum body and toughened temper glass as its diffuser ,

Trim cover stainless steel 304 as its standard , to be ordered stainless 316 else.
Beam angle optional : 8° /10° /20° /30° /45° /60° /90° /120°

TECHNICAL CHARACTERISTICS:

Type: LED Underground Type
IP Protection degrees: IP67
Rated Load: 5KN
Safety Class : Class-I
Working Temperature : -35℃ ~ +65℃
Voltage/Frequency : 100-240V ,50/60HZ
12V/24V



LED SPECIFICATIONS: (3000/4000K/5700K ,CRI≥80)

Item No.: IG9120BRD/R
LEDs: BRIDGELUX 1LEDs,3W,CRI≥80

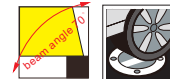
Box Size/Unit : 43*29*36cm
Gross Weight (kg) : 16Kg/18PC

Item No.: IG9150BRD/R
LEDs: CREE 19LEDs,8W,CRI≥80

Box Size/Unit : 52*35.5*26.5cm
Gross Weight (kg) : 16.8Kg/12PC

Item No.: IG9180BRD/R
LEDs: CREE 3LEDs,6W,CRI≥80

Box Size/Unit : 39*39*28cm
Gross Weight (kg) : 16Kg/8PC



MATERIALS/FINISHES:

Structure material: Die-casting aluminium
Trim finish: Stainless steel 304/316

Diffuser Material:
Clear/Frost temper glass

SAMPLE FOR STICK LABELS:

Product Description **YOUR LOGO®**
3W LED UNDERGROUND LIGHT

Color Temp 3000K	Protection IP67
Power Supply 100-240V AC, 50-60Hz	Power Rate 3W

Product Part #: xxxxxxxx

+86 574 62805278
+86 574 62805277
sales@schtlite.com
www.schtlite.com

#49, Changxin Road, Yuyao City, Ningbo Of Zhejiang, China

Stick Label of box & carton

3W LED UNDERGROUND LIGHT **YOUR LOGO®**
Product Part #: xxxxxxxx
Power: 3W | Input: 100-240V AC, 50-60Hz | Protection: IP67

Stick Label of Lamp Body

ENERGY CLASS
A++ A+ A B C D E

Not dimmable LED in warm white

≥80	CRI
2.7	kwh/1000h
30 degree	Beam Angle
3W	Max LED Watt
3000K	Color Temperature
0%~95%	Environmental Humidity
270lm	Minimum luminous flux
-20℃~60℃	Environmental Temperature

Energy Consumption Label

SCHTLITE LIGHT CO., LIMITED

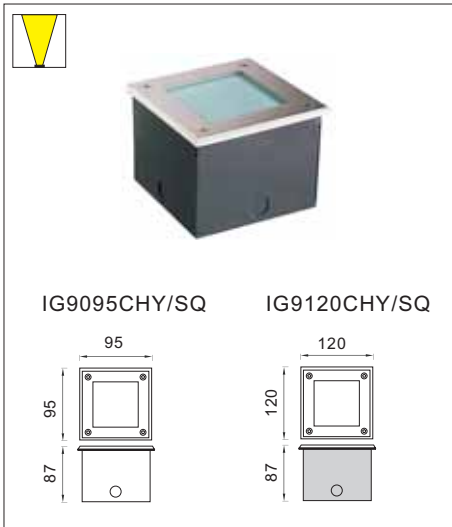
Office and Factory
#49, Changxin Road, Yuyao City, Ningbo Of Zhejiang, China
Tel: +86-574-62805278 Fax: +86-574-62805277
Email: sales@schtlite.com

service at alibaba.com
we have our website at alibaba.com
for all of our outdoor series of lighting
with the page :
peterlamps.en.alibaba.com



For installation of LED Underground Buried Type
 Model : IG9095CHY/SQ , IG9120CHY/SQ , IG9170CHY/SQ , IG9230CHY/SQ

IP65



DESCRIPTION:

Underground buried designed for ground surface installation.
 Die casting aluminum body and toughened temper glass as its' diffuser ,

Trim cover stainless steel 304 as its standard , to be ordered stainless 316 else.

TECHNICAL CHARACTERISTICS:

Type: LED Underground Type
 IP Protection degrees: IP67
 Rated Load: 5KN
 Safety Class : Class-I
 Working Temperature : -35℃ ~ +65℃
 Voltage/Frequency : 100-240V ,50/60HZ
 12V/24V



LED SPECIFICATIONS:

Item No.: IG9095CHY/SQ	Item No.: IG91170CHY/SQ	Item No.: IG9230CHY/SQ
LEDs: EPISTAR 4LEDs,4W	LEDs: EPISTAR 9LEDs,9W	LEDs: EPISTAR 16LEDs,16W
LEDs: 3000K/4000K,CRI≥70	LEDs: 3000K/4000K,CRI≥80	LEDs: 3000K/4000K,CRI≥80

PACKING DETAILS:

Carton Size: 50*26*26cm	Carton Size: 37*37*29cm	Carton Size: 47*25*32cm
Gross Weight : 20Kg	Gross Weight : 16Kg	Gross Weight : 15Kg
QTY/Carton : 16PC	QTY/Carton : 8PC	QTY/Carton : 4PC

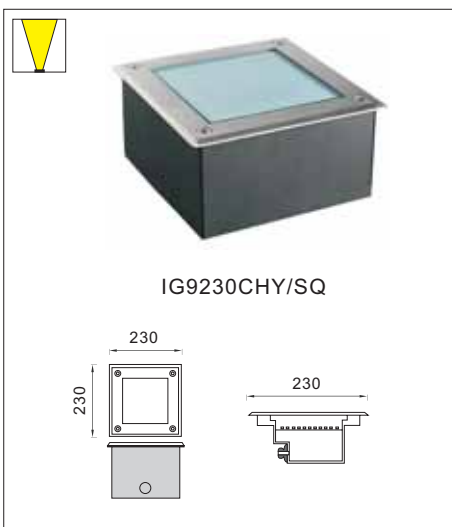
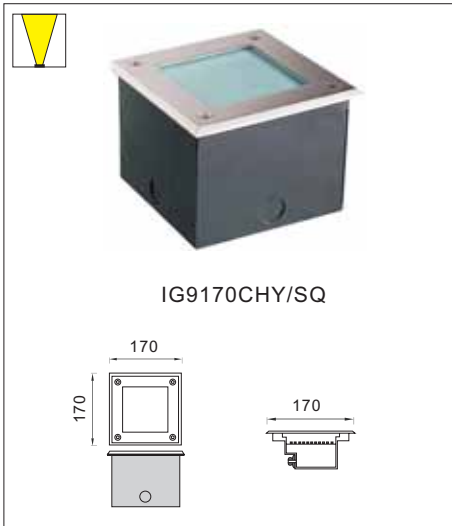


MATERIALS/FINISHES:

Structure material: Die-casting aluminium
 Trim finish: Stainless steel 304/316

Diffuser Material:
 Toughened temper glass

SAMPLE FOR STICK LABELS:



Product Description **YOUR LOGO®**
4W LED UNDERGROUND LIGHT

Color Temp 3000K	Protection IP67
Power Supply 100-240V AC, 50-60Hz	Power Rate 4W

Product Part #: xxxxxxx

+86 574 62805278
 +86 574 62805277
 sales@schtlite.com
 www.schtlite.com

#49, Changxin Road, Yuyao City, Ningbo Of Zhejiang, China

4W LED UNDERGROUND LIGHT **YOUR LOGO®**
 Product Part #: xxxxxxx
 Power: 4W | Input: 100-240V AC, 50-60Hz | Protection: IP67

Stick Label of Lamp Body

ENERGY LABEL
 неэнергия - энергия

Not dimmable LED in warm white	A++	≥80	CRI
	A+	2.7	kwh/1000h
	A	105 degree	Beam Angle
	B	4W	Max LED Watt
	C	3000K	Color Temperature
D	0%~95%	Environmental Humidity	
E	360lm	Minimum luminous flux	
	-20℃~60℃	Environmental Temperature	

Stick Label of box & carton

Energy Consumption Lable

SCHTLITE LIGHT CO., LIMITED

Office and Factory
 #49, Changxin Road, Yuyao City ,Ningbo Of Zhejiang ,China
 Tel: +86-574-62805278 Fax: +86-574-62805277
 Email : sales@schtlite.com

service at alibaba.com
 we have our website at alibaba.com
 for all of our outdoor series of lighting
 with the page :
peterlamps.en.alibaba.com



For installation of LED Underground Buried Type
Model : IG8100CLN/R , IG9100CLN/R

IP65



DESCRIPTION:

Underground buried designed for ground surface installation.
Die casting aluminum body and toughened temper glass as its diffuser ,

Trim cover stainless steel 304 as its standard , to be ordered stainless 316 else.
Beam angle optional : 10° /20° /30° /45° /60°

TECHNICAL CHARACTERISTICS:

Type: LED Underground Type
IP Protection degrees: IP67
Rated Load: 5KN
Safety Class : Class-I
Working Temperature : -35℃ ~ +65℃
Voltage/Frequency : 100-240V ,50/60HZ
12V/24V



LED SPECIFICATIONS: (3000/4000K/5000K ,CRI≥80)

Item No.: IG8100CLN/R.H145	Box Size/Unit : 56*23*25cm
LEDs: CREE 1LEDs,5/7W,CRI≥80,Beam Angle:15°	Gross Weight (kg) : 18Kg/20PC
Item No.: IG8100CLN/R.H108	Box Size/Unit : 56*34*25cm
LEDs: CREE 1LEDs,3W,CRI≥80,Beam Angle:120°	Gross Weight (kg) : 22Kg/30PC
Item No.: IG9100CLN/R3.H108	Box Size/Unit : 56*34*25cm
LEDs: CREE 3LEDs,3W,CRI≥80, Beam Angle: 8° /15° /30° /60° /90° /120°	Gross Weight (kg) : 22Kg/30PC



MATERIALS/FINISHES:

Structure material: Die-casting aluminium
Trim finish: Stainless steel 304/316

Diffuser Material:
Clear/Frost temper glass

SAMPLE FOR STICK LABELS:



Product Description **YOUR LOGO®**
3W LED UNDERGROUND LIGHT

Color Temp 3000K	Protection IP67
Power Supply 100-240V AC, 50-60Hz	Power Rate 3W

Product Part #: xxxxxxxx

#49, Changxin Road, Yuyao City, Ningbo Of Zhejiang, China

3W LED UNDERGROUND LIGHT **YOUR LOGO®**

Product Part #: xxxxxxxx

Power: 3W	Input: 100-240V AC, 50-60Hz	Protection: IP67
-----------	-----------------------------	------------------

Stick Label of Lamp Body

ENERGY LABEL
энергия - энергия

Not dimmable LED in warm white	A++	≥70	CRI
	A+	2.7	kwh/1000h
	A	105 degree	Beam Angle
	B	3W	Max LED Watt
	C	3000K	Color Temperature
	D	0%~95%	Environmental Humidity
E	270lm	Minimum luminous flux	
		-20℃~60℃	Environmental Temperature

Stick Label of box & carton

Energy Consumption Lable

SCHTLITE LIGHT CO., LIMITED

Office and Factory
#49, Changxin Road, Yuyao City ,Ningbo Of Zhejiang ,China
Tel: +86-574-62805278 Fax: +86-574-62805277
Email : sales@schtlite.com

service at alibaba.com
we have our website at alibaba.com
for all of our outdoor series of lighting
with the page :
peterlamps.en.alibaba.com



For installation of LED Underground Buried Type
Model : IG8130HMB/R , IG8160HMB/R

IP67



DESCRIPTION:

Underground buried designed for ground surface installation.
Die casting aluminum body and toughened temper glass as its diffuser ,

Trim cover stainless steel 304 as its standard , to be ordered stainless 316 else.
Beam angle optional : 30°

TECHNICAL CHARACTERISTICS:

Type: LED Underground Type
IP Protection degrees: IP67
Rated Load: 5KN
Safety Class : Class-I
Working Temperature : -35℃ ~ +65℃
Voltage/Frequency : 100-240V ,50/60HZ
12V/24V



LED SPECIFICATIONS:

Item No.:	IG8130HMB/R	Item No.:	IG8160HMB/R
LEDs:	COB 1LED,7W	LEDs:	COB 1LED,15W
LED Source :	3000K/4000K,CRI≥70,30°	LED Source :	3000K/4000K,CRI≥70,30°

PACKING DETAILS:

Carton Size:	42.5*29*32.5cm	Carton Size:	51.5*35*34.5cm
Gross Weight (Kg) :	13.5kg	Gross Weight (Kg) :	21.6kg
QTY/Carton :	12PC	QTY/Carton :	12PC

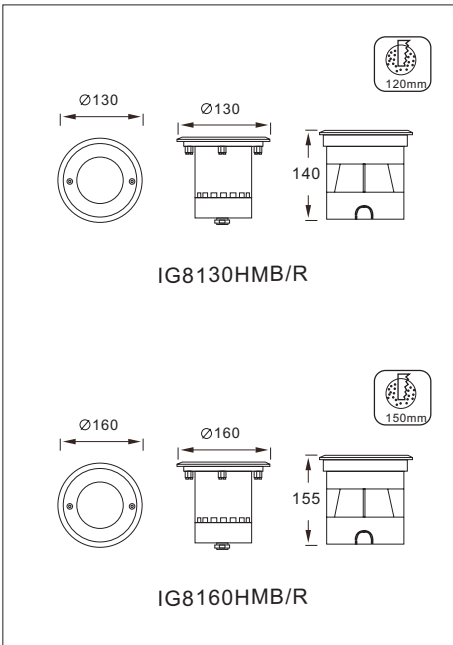


MATERIALS/FINISHES:

Structure material: Die-casting aluminium
Trim finish: Stainless steel 304/316

Diffuser Material:
Clear/Frost temper glass

SAMPLE FOR STICK LABELS:



Product Description **YOUR LOGO®**
7W LED UNDERGROUND LIGHT

Color Temp 3000K	Protection IP67
Power Supply 100-240V AC, 50-60Hz	Power Rate 7W

Product Part #: xxxxxxxx

+86 574 62805278
+86 574 62805277
sales@schtlite.com
www.schtlite.com

#49, Changxin Road, Yuyao City, Ningbo Of Zhejiang, China

Stick Label of box & carton

7W LED UNDERGROUND LIGHT **YOUR LOGO®**
Product Part #: xxxxxxxx

Power: 7W	Input: 100-240V AC, 50-60Hz	Protection: IP67
-----------	-----------------------------	------------------

Stick Label of Lamp Body

ENERGY CLASS
A++ A+ A B C D E

LED in warm white

≥70	CRI
2.7	kwh/1000h
30 degree	Beam Angle
7W	Max LED Watt
3000K	Color Temperature
0%~95%	Environmental Humidity
560lm	Minimum luminous flux
-20℃~60℃	Environmental Temperature

Energy Consumption Lable

SCHTLITE LIGHT CO., LIMITED

Office and Factory
#49, Changxin Road, Yuyao City ,Ningbo Of Zhejiang ,China
Tel: +86-574-62805278 Fax: +86-574-62805277
Email : sales@schtlite.com

service at alibaba.com
we have our website at alibaba.com
for all of our outdoor series of lighting
with the page :
peterlamps.en.alibaba.com



For installation of LED Underground Buried Type
Model : IG9130NRT/R , IG8130NRT/RB

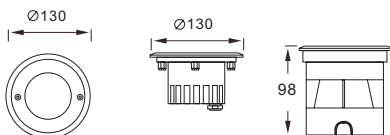
IP67



IG9130NRT/R



IG8130NRT/RB



DESCRIPTION:

Underground buried designed for ground surface installation.
Die casting aluminum body and toughened temper glass as its diffuser ,

Trim cover stainless steel 304 as its standard , to be ordered stainless 316 else.

TECHNICAL CHARACTERISTICS:

Type: LED Underground Type
IP Protection degrees: IP67
Rated Load: 5KN
Safety Class : Class-I
Working Temperature : -35℃ ~ +65℃
Voltage/Frequency : 100-240V ,50/60HZ
12V/24V



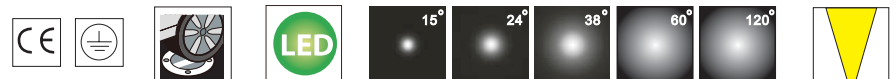
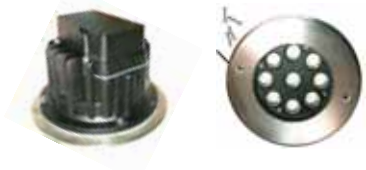
LED SPECIFICATIONS:

Item No.: IG9130NRT/R5W
LEDs: EPISTAR 5LEDs,5W
LED Source : 3000K/4000K,CRI≥80
Beam Angle: 8° /15° /30° /45° /60° /90°

Item No.: IG80130NRT/RB5W
LEDs: COB 1LEDs,5W
LED Source : 3000K/4000K,CRI≥80
Beam Angle: 120°

PACKING DETAILS:

Carton Size: 43*29*36cm
Gross Weight (Kg) : ---Kg
QTY/Carton : 16PC



MATERIALS/FINISHES:

Structure material: Die-casting aluminium
Trim finish: Stainless steel 304/316

Diffuser Material:
Toughened temper glass

SAMPLE FOR STICK LABELS:



Product Description **YOUR LOGO®**
5W LED UNDERGROUND LIGHT

Color Temp 3000K	Protection IP67
Power Supply 100-240V AC, 50-60Hz	Power Rate 5W

Product Part #: xxxxxxxx

+86 574 62805278
+86 574 62805277
sales@schtlite.com
www.schtlite.com

#49, Changxin Road, Yuyao City, Ningbo Of Zhejiang, China

Stick Label of box & carton

SW LED UNDERGROUND LIGHT **YOUR LOGO®**
Product Part #: xxxxxxxx

Power: 5W	Input: 100-240V AC, 50-60Hz	Protection: IP67
-----------	-----------------------------	------------------

Stick Label of Lamp Body

ENERGY CLASSIFICATION
A++ A+ A B C D E

LED in warm white

≥80	CRI
2.7	kwh/1000h
105 degree	Beam Angle
5W	Max LED Watt
3000K	Color Temperature
0%~95%	Environmental Humidity
420lm	Minimum luminous flux
-20℃~60℃	Environmental Temperature

Energy Consumption Lable

SCHTLITE LIGHT CO., LIMITED

Office and Factory
#49, Changxin Road, Yuyao City ,Ningbo Of Zhejiang ,China
Tel: +86-574-62805278 Fax: +86-574-62805277
Email : sales@schtlite.com

service at alibaba.com
we have our website at alibaba.com
for all of our outdoor series of lighting
with the page :
peterlamps.en.alibaba.com



For installation of LED Underground Buried Type
Model : IG9160NRT/R , IG8160NRT/RB

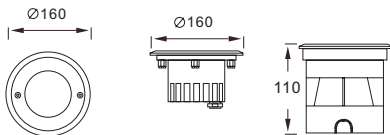
IP67



IG9160NRT/R



IG8160NRT/RB



DESCRIPTION:

Underground buried designed for ground surface installation.
Die casting aluminum body and toughened temper glass as its diffuser ,

Trim cover stainless steel 304 as its standard , to be ordered stainless 316 else.

TECHNICAL CHARACTERISTICS:

Type: LED Underground Type
IP Protection degrees: IP67
Rated Load: 5KN
Safety Class : Class-I
Working Temperature : -35℃ ~ +65℃
Voltage/Frequency : 100-240V ,50/60HZ
12V/24V



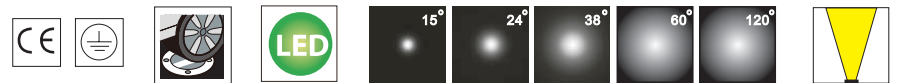
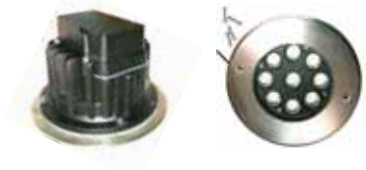
LED SPECIFICATIONS:

Item No.: IG9160NRT/R7W
LEDs: EPISTAR 7LEDs,7W
LED Source : 3000K/4000K,CRI≥80
Beam Angle: 8° /15° /30° /45° /60° /90°

Item No.: IG80130NRT/RB10W
LEDs: COB 1LEDs,10W
LED Source : 3000K/4000K,CRI≥80
Beam Angle: 120°

PACKING DETAILS:

Carton Size: 52*35.5*26.5cm
Gross Weight (Kg) : ---Kg
QTY/Carton : 12PC



MATERIALS/FINISHES:

Structure material: Die-casting aluminium
Trim finish: Stainless steel 304/316

Diffuser Material:
Toughened temper glass

SAMPLE FOR STICK LABELS:



Product Description **YOUR LOGO®**
7W LED UNDERGROUND LIGHT

Color Temp 3000K	Protection IP67
Power Supply 100-240V AC, 50-60Hz	Power Rate 7W

Product Part #: xxxxxxxx

+86 574 62805278
+86 574 62805277
sales@schtlite.com
www.schtlite.com

#49, Changxin Road, Yuyao City, Ningbo Of Zhejiang, China

Stick Label of box & carton

7W LED UNDERGROUND LIGHT **YOUR LOGO®**
Product Part #: xxxxxxxx

Power: 7W	Input: 100-240V AC, 50-60Hz	Protection: IP67
-----------	-----------------------------	------------------

Stick Label of Lamp Body

ENERGY LABEL
энергия - энергия

Not dimmable LED in warm white	A++	≥80	CRI
	A+	2.7	kwh/1000h
	A	105 degree	Beam Angle
	B	7W	Max LED Watt
	C	3000K	Color Temperature
D	0%~95%	Environmental Humidity	
E	550lm	Minimum luminous flux	
	-20℃~60℃	Environmental Temperature	

Energy Consumption Lable

SCHTLITE LIGHT CO., LIMITED

Office and Factory
#49, Changxin Road, Yuyao City ,Ningbo Of Zhejiang ,China
Tel: +86-574-62805278 Fax: +86-574-62805277
Email : sales@schtlite.com

service at alibaba.com
we have our website at alibaba.com
for all of our outdoor series of lighting
with the page :
peterlamps.en.alibaba.com



For installation of LED Underground Buried Type
Model : IG9180NRT/R , IG8180NRT/RB

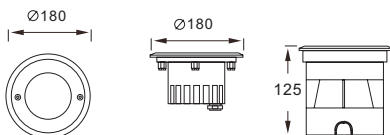
IP67



IG9180NRT/R



IG8180NRT/RB



DESCRIPTION:

Underground buried designed for ground surface installation.
Die casting aluminum body and toughened temper glass as its diffuser ,

Trim cover stainless steel 304 as its standard , to be ordered stainless 316 else.

TECHNICAL CHARACTERISTICS:

Type: LED Underground Type
IP Protection degrees: IP67
Rated Load: 5KN
Safety Class : Class-I
Working Temperature : -35℃ ~ +65℃
Voltage/Frequency : 100-240V ,50/60HZ
12V/24V



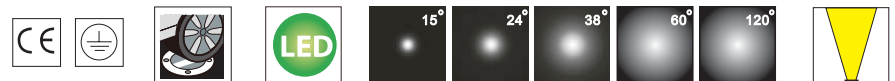
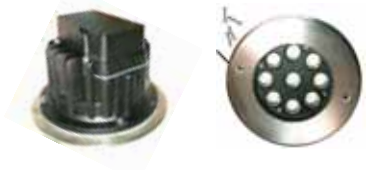
LED SPECIFICATIONS:

Item No.: IG9180NRT/R12W
LEDs: EPISTAR 12LEDs,12W
LED Source : 3000K/4000K,CRI≥80
Beam Angle: 8° /15° /30° /45° /60° /90°

Item No.: IG80180NRT/RB15W
LEDs: COB 1LEDs,15W
LED Source : 3000K/4000K,CRI≥80
Beam Angle: 120°

PACKING DETAILS:

Carton Size: 39*39*28.5cm
Gross Weight (Kg) : ---Kg
QTY/Carton : 12PC



MATERIALS/FINISHES:

Structure material: Die-casting aluminium
Trim finish: Stainless steel 304/316

Diffuser Material:
Toughened temper glass

SAMPLE FOR STICK LABELS:



Product Description **YOUR LOGO®**
12W LED UNDERGROUND LIGHT

Color Temp 3000K	Protection IP67
Power Supply 100-240V AC, 50-60Hz	Power Rate 12W

Product Part #: xxxxxxxx

+86 574 62805278
+86 574 62805277
sales@schtlite.com
www.schtlite.com

#49, Changxin Road, Yuyao City, Ningbo Of Zhejiang, China

Stick Label of box & carton

12W LED UNDERGROUND LIGHT **YOUR LOGO®**
Product Part #: xxxxxxxx

Power: 12W	Input: 100-240V AC, 50-60Hz	Protection: IP67
------------	-----------------------------	------------------

Stick Label of Lamp Body

ENERGY CLASS
A++ A+ A B C D E

LED in warm white

≥80	CRI
2.7	kwh/1000h
105 degree	Beam Angle
12W	Max LED Watt
3000K	Color Temperature
0%~95%	Environmental Humidity
960lm	Minimum luminous flux
-20℃~60℃	Environmental Temperature

Energy Consumption Label

SCHTLITE LIGHT CO., LIMITED

Office and Factory
#49, Changxin Road, Yuyao City, Ningbo Of Zhejiang, China
Tel: +86-574-62805278 Fax: +86-574-62805277
Email: sales@schtlite.com

service at alibaba.com
we have our website at alibaba.com
for all of our outdoor series of lighting
with the page :
peterlamps.en.alibaba.com



For installation of LED Underground Buried Type
Model : IG9260NRT/R , IG8260NRT/RB

IP67



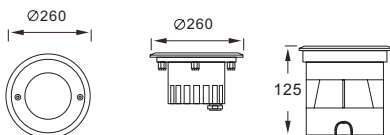
IG9260NRT/R



IG8260NRT/RB

Box Size/Unit : 54*28*42cm

Gross Weight (kg) : 4Kg/6PC



DESCRIPTION:

Underground buried designed for ground surface installation.
Die casting aluminum body and toughened temper glass as its diffuser ,

Trim cover stainless steel 304 as its standard , to be ordered stainless 316 else.

TECHNICAL CHARACTERISTICS:

Type: LED Underground Type

IP Protection degrees: IP67

Rated Load: 5KN

Safety Class : Class-I

Working Temperature : -35°C ~ +65°C

Voltage/Frequency : 100-240V ,50/60HZ
12V/24V



LED SPECIFICATIONS: (LED is EPISTAR/CREE)

Item No.: IG9240NRT/R18W

Item No.: IG9240NRT/R24W

LEDs: EPISTAR 15LEDs,18W

LEDs: EPISTAR 18LEDs,24W

LED Source : 3000K/4000K,CRI≥80

LED Source : 3000K/4000K,CRI≥80

Beam Angle: 8° /15° /30° /45° /60° /90°

Beam Angle: 8° /15° /30° /45° /60° /90°

LED SPECIFICATIONS: (LED is by COB)

Item No.: IG80240NRT/RB20W

Item No.: IG80240NRT/RB30W

LEDs: COB 1LEDs,20W

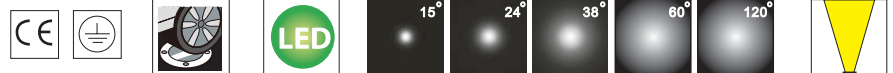
LEDs: COB 1LEDs,30W

LED Source : 3000K/4000K,CRI≥80

LED Source : 3000K/4000K,CRI≥80

Beam Angle: 120°

Beam Angle: 120°



MATERIALS/FINISHES:

Structure material: Die-casting aluminium
Trim finish: Stainless steel 304/316

Diffuser Material:
Toughened temper glass

SAMPLE FOR STICK LABELS:

Product Description **YOUR LOGO®**
18W LED UNDERGROUND LIGHT

Color Temp 3000K	Protection IP67
Power Supply 100-240V AC, 50-60Hz	Power Rate 18W

Product Part #: xxxxxxxx

+86 574 62805278
+86 574 62805277
sales@schtlite.com
www.schtlite.com

#49, Changxin Road, Yuyao City, Ningbo Of Zhejiang, China

Stick Label of box & carton

18W LED UNDERGROUND LIGHT **YOUR LOGO®**
Product Part #: xxxxxxxx

Power: 18W	Input: 100-240V AC, 50-60Hz	Protection: IP67
------------	-----------------------------	------------------

Stick Label of Lamp Body

ENERGY Y UA EIA
енергия - энергия

Not dimmable LED in warm white	A++	LED	≥80	CRI
	A+		2.7	kwh/1000h
	A		105 degree	Beam Angle
	B		18W	Max LED Watt
	C		3000K	Color Temperature
D	0%~95%	Environmental Humidity	1480lm	Minimum luminous flux
E	-20°C~60°C	Environmental Temperature		

Energy Consumption Label



SCHTLITE LIGHT CO., LIMITED

Office and Factory
#49, Changxin Road, Yuyao City, Ningbo Of Zhejiang, China
Tel: +86-574-62805278 Fax: +86-574-62805277
Email: sales@schtlite.com

service at alibaba.com
we have our website at alibaba.com
for all of our outdoor series of lighting
with the page :
peterlamps.en.alibaba.com



For installation of LED Underground Buried Type
Model : IF9145PRG/R

ALUMINUM TRIM

IP67



DESCRIPTION:

Underground buried designed for ground surface installation.
Die casting aluminum body and anti-Shock & anti-UV polyester/PC or or temper glass as its' diffuser , Available in various finishes : white , grey, black , etc.,

(GU10/Gx53 lamp holder optional too from next pages)

TECHNICAL CHARACTERISTICS:

Type: LED Underground Type

IP Protection degrees: IP67

Rated Load: 5KN

Safety Class : Class-I

Working Temperature : -35℃ ~ +65℃

Voltage/Frequency : 100-240V ,50/60HZ
12V/24V



LED SPECIFICATIONS:

Item No.: IF9145PRG/R

LEDs: EPISTAR 3LEDs,3W

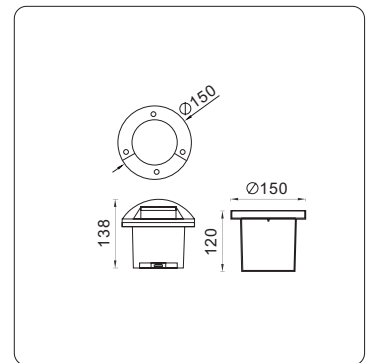
LED Source : 3000K/4000K,CRI≥80,270lm

PACKING DETAILS:

Carton Size: 64*32*37cm

Gross Weight (Kg): 22.5Kg

QTY/Carton : 16PC



MATERIALS/FINISHES:

Structure material: Die-casting aluminium
Structure finish: Grey, White, Black, Silver

Diffuser Material:
Polycarbonate /Temper glass

SAMPLE FOR STICK LABELS:



Product Description **YOUR LOGO®**
3W LED UNDERGROUND LIGHT

Color Temp 3000K	Protection IP67
Power Supply 100-240V AC, 50-60Hz	Power Rate 3W

Product Part #: xxxxxxx

+86 574 62805278
+86 574 62805277
sales@schtlite.com
www.schtlite.com

#49, Changxin Road, Yuyao City, Ningbo Of Zhejiang, China

Stick Label of box & carton

3W LED UNDERGROUND LIGHT **YOUR LOGO®**
Product Part #: xxxxxxx

Power: 3W	Input: 100-240V AC, 50-60Hz	Protection: IP65
-----------	-----------------------------	------------------

Stick Label of Lamp Body

ENERGY CLASS
энергия - энергия

LED in warm white	Not dimmable	A++	A+	A	B	C	D	E
-------------------	--------------	-----	----	---	---	---	---	---

LED

≥80	CRI
2.7	kwh/1000h
105 degree	Beam Angle
3W	Max LED Watt
3000K	Color Temperature
0%~95%	Environmental Humidity
270lm	Minimum luminous flux
-20℃~60℃	Environmental Temperature

Energy Consumption Label

SCHTLITE LIGHT CO., LIMITED

Office and Factory
#49, Changxin Road, Yuyao City, Ningbo Of Zhejiang, China
Tel: +86-574-62805278 Fax: +86-574-62805277
Email: sales@schtlite.com

service at alibaba.com
we have our website at alibaba.com
for all of our outdoor series of lighting
with the page :
peterlamps.en.alibaba.com



For installation of LED Underground Buried Type
Model : IG8120THN/RA , IG8150THN/RA

IP67



DESCRIPTION:

Underground buried designed for ground surface installation.
Die casting aluminum body and toughened temper glass as its diffuser ,

Trim cover stainless steel 304 as its standard , to be ordered stainless 316 else.
Beam angle optional : 15° /24° /38° /60°

TECHNICAL CHARACTERISTICS:

Type: LED Underground Type

IP Protection degrees: IP67

Rated Load: 5KN

Safety Class : Class-I

Working Temperature : -35℃ ~ +65℃

Voltage/Frequency : 100-240V ,50/60HZ
12V/24V



LED SPECIFICATIONS: (3000/4000K/5000K ,CRI≥80)

Item No.: IG8120THN/RA3W

LEDs: EPISTAR 1LEDs,3W,CRI≥80

Item No.: IG8120THN/RA5W

LEDs: EPISTAR 1LEDs,5W,CRI≥80

Box Size/Unit : 50*38*26cm

Gross Weight (kg) : 17Kg/24PC

Beam Angle:15° /24° /38° /60°

Item No.: IG8150THN/RA7W

LEDs: EPISTAR 1LEDs,7W,CRI≥80

Item No.: IG8150THN/RA9W

LEDs: EPISTAR 1LEDs,9W,CRI≥80

Box Size/Unit : 47*32*32cm

Gross Weight (kg) : 16Kg/12PC

Beam Angle:15° /24° /38° /60°



MATERIALS/FINISHES:

Structure material: Die-casting aluminium
Trim finish: Stainless steel 304/316

Diffuser Material:
Clear/Frost temper glass

SAMPLE FOR STICK LABELS:

Product Description **YOUR LOGO®**
3W LED UNDERGROUND LIGHT

Color Temp 3000K	Protection IP67
Power Supply 100-240V AC, 50-60Hz	Power Rate 3W

Product Part #: xxxxxxxx

+86 574 62805278
+86 574 62805277
sales@schtlite.com
www.schtlite.com

#49, Changxin Road, Yuyao City, Ningbo Of Zhejiang, China

Stick Label of box & carton

3W LED UNDERGROUND LIGHT **YOUR LOGO®**
Product Part #: xxxxxxxx

Power: 3W	Input: 100-240V AC, 50-60Hz	Protection: IP67
-----------	-----------------------------	------------------

Stick Label of Lamp Body

ENERGY LABEL
энергия - энергия

Not dimmable LED in warm white	A++	≥70	CRI
	A+	2.7	kwh/1000h
	A	105 degree	Beam Angle
	B	3W	Max LED Watt
	C	3000K	Color Temperature
D	0%~95%	Environmental Humidity	
E	270lm	Minimum luminous flux	
	-20℃~60℃	Environmental Temperature	

Energy Consumption Lable

SCHTLITE LIGHT CO., LIMITED

Office and Factory
#49, Changxin Road, Yuyao City ,Ningbo Of Zhejiang ,China
Tel:+86-574-62805278 Fax:+86-574-62805277
Email : sales@schtlite.com

service at alibaba.com
we have our website at alibaba.com
for all of our outdoor series of lighting
with the page :
peterlamps.en.alibaba.com



For installation of LED Underground Buried Type
Model : IG8180THN/RA , IG8220THN/RA

IP67



IG8180THN/RA



IG8220THN/RA

DESCRIPTION:

Underground buried designed for ground surface installation.
Die casting aluminum body and toughened temper glass as its diffuser ,

Trim cover stainless steel 304 as its standard , to be ordered stainless 316 else.
Beam angle optional : 15° /24° /38° /60°

TECHNICAL CHARACTERISTICS:

Type: LED Underground Type

IP Protection degrees: IP67

Rated Load: 5KN

Safety Class : Class-I

Working Temperature : -35℃ ~ +65℃

Voltage/Frequency : 100-240V ,50/60HZ
12V/24V



LED SPECIFICATIONS: Beam Angle:15° /24° /38° /60°

Item No.: IG8180THN/RA12W

LEDs: COB 1LEDs,12W

LED Source : 3000K/4000K,CRI≥80,1200lm

Item No.: IG8220THN/RA24W

LEDs: COB 1LEDs,24W

LED Source : 3000K/4000K,CRI≥80,1500lm

PACKING DETAILS:

Carton Size: 50*38*26cm

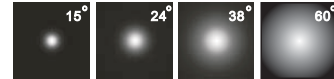
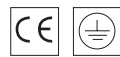
Gross Weight (Kg): 17kg

QTY/Carton : 24PC

Carton Size: 47*32*32cm

Gross Weight (Kg): 16kg

QTY/Carton : 12PC



MATERIALS/FINISHES:

Structure material: Die-casting aluminium
Trim finish: Stainless steel 304/316

Diffuser Material:
Clear/Frost temper glass

SAMPLE FOR STICK LABELS:

Product Description		YOUR LOGO®	
12W LED UNDERGROUND LIGHT			
Color Temp	Protection		
3000K	IP67		
Power Supply	Power Rate		
100-240V AC, 50-60Hz	12W		
Product Part #:	xxxxxxx		
+86 574 62805278 +86 574 62805277 sales@schtlite.com www.schtlite.com			
#49, Changxin Road, Yuyao City, Ningbo Of Zhejiang, China		CLASS I EEC A IP67 IK 08 CE	

Stick Label of box & carton

12W LED UNDERGROUND LIGHT		YOUR LOGO®	
Product Part #:		xxxxxxx	
Power: 12W	Input: 100-240V AC, 50-60Hz	Protection: IP67	

Stick Label of Lamp Body

Not dimmable LED in warm white	A++	L E D ≥80 CRI 2.7 kwh/1000h 105 degree Beam Angle 12W Max LED Watt 3000K Color Temperature 0%~95% Environmental Humidity 1200lm Minimum luminous flux -20℃~60℃ Environmental Temperature
	A+	
	A	
	B	
	C	
D		
E		

Energy Consumption Label

SCHTLITE LIGHT CO., LIMITED

Office and Factory
#49, Changxin Road, Yuyao City, Ningbo Of Zhejiang, China
Tel: +86-574-62805278 Fax: +86-574-62805277
Email: sales@schtlite.com

service at alibaba.com
we have our website at alibaba.com
for all of our outdoor series of lighting
with the page :
peterlamps.en.alibaba.com



3.1. LED UNDERWATER LIGHT.UW : (P.80-83)



JELLYFISH
(P.081)



SEPIA1W
(P.082)



SEPIA3W
(P.083)

3.2. LED UNDERWATER LIGHT.UWS : (P.084)



TUNA
(P.084)

For installation of LED Underwater Buried Type
Model : UW9130JFS , UW9150JFS , UW9170JFS

IP68 **ST. STEEL**



UW9130JFS

DESCRIPTION:

Underwater buried designed for ground surface installation.
Stainless steel 304 body and trim, toughened temper glass as its' diffuser .
Stainless steel 316 to be ordered else ,Beam angle optional : 10° /20° /30° /45° /60°

TECHNICAL CHARACTERISTICS:

Type: LED Underwater Type
IP Protection degrees: IP68
Safety Class : Class-III
Working Temperature : -35℃ ~ +65℃
Voltage/Frequency : 12V/24V AC/DC



LED SPECIFICATIONS:

Item No.: UW9130JFS/8W/6

LEDs: EPISTAR 6LEDs,8W

LED Source : 3000K/4000K,CRI≥80

Box Size/Unit : 45*30*32cm

Gross Weight (kg) : ---Kg/18PC



UW9150JFS

Item No.: UW9150W12/9

LEDs: EPISTAR 9LEDs,12W

LED Source : 3000K/4000K,CRI≥80

Box Size/Unit : 35*35*32cm

Gross Weight (kg) : ---Kg/12PC



UW9170WJFS

Item No.: UW9170W18/15

LEDs: EPISTAR 15LEDs,18W

LED Source : 3000K/4000K,CRI≥80

Box Size/Unit : 38*38*32cm

Gross Weight (kg) : ---Kg/12PC



MATERIALS/FINISHES:

Structure material: Stainless steel 304
Trim material: Stainless steel 304

Diffuser Material:
Toughened temper glass

SAMPLE FOR STICK LABELS:

Product Description **YOUR LOGO®**
12W LED UNDERWATER LIGHT

Color Temp 3000K	Protection IP68
Power Supply 12V/AC/DC	Power Rate 12W

Product Part #: xxxxxxxx

+86 574 62805278
+86 574 62805277
sales@schtlite.com
www.schtlite.com

#49, Changxin Road, Yuyao City, Ningbo Of Zhejiang, China

Stick Label of box & carton

12W LED UNDERWATER LIGHT **YOUR LOGO®**
Product Part #: xxxxxxxx

Power: 12W	Input: 12V AC/DC,50-60Hz	Protection: IP68
------------	--------------------------	------------------

Stick Label of Lamp Body

ENERGY LABEL
энергия - энергия

Not dimmable LED in warm white	A++	≥80	CRI
	A+	2.7	kwh/1000h
	A	105 degree	Beam Angle
	B	12W	Max LED Watt
	C	3000K	Color Temperature
D	0%~95%	Environmental Humidity	
E	950lm	Minimum luminous flux	
	-20℃~60℃	Environmental Temperature	

Energy Consumption Lable

SCHTLITE LIGHT CO., LIMITED

Office and Factory
#49, Changxin Road, Yuyao City ,Ningbo Of Zhejiang ,China
Tel: +86-574-62805278 Fax: +86-574-62805277
Email : sales@schtlite.com

service at alibaba.com
we have our website at alibaba.com
for all of our outdoor series of lighting
with the page :
peterlamps.en.alibaba.com

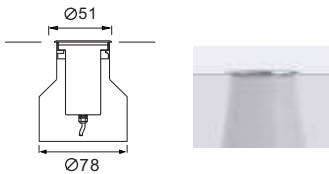
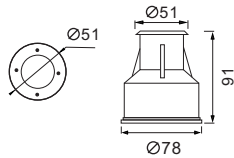


For installation of LED Underwater Buried Type
Model : UW9050SPA/R1W

IP68 ST. STEEL



UW9050SPA/R1W



DESCRIPTION:

Underwater buried designed for ground surface installation. Stainless steel body and trim, toughened temper glass as its' diffuser, and Available in different watts by LEDs 1W or 3W.

Trim cover stainless steel 304 as its standard, to be ordered stainless 316 else. Beam angle optional: 10° /20° /30° /45° /60° /120°

TECHNICAL CHARACTERISTICS:

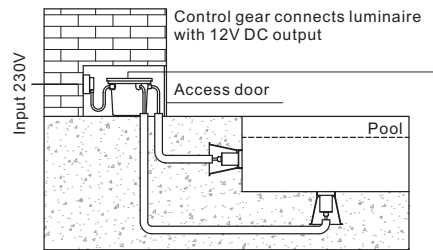
Type: LED Underwater Type
IP Protection degrees: IP68
Safety Class: Class-III
Working Temperature: -35°C ~ +65°C
Voltage/Frequency: 12V/24V AC/DC



LED SPECIFICATIONS:

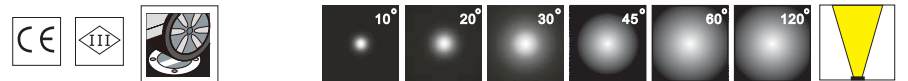
Item No.: UW9050SPA/R1W
LEDs: EPISTAR 1LEDs,1W
LED Source: 3000K/4000K,CRI≥70,90lm

MOUNTING ILLUSTRATION:



PACKING DETAILS:

Carton Size: 52*48*29cm
Gross Weight (Kg): --Kg
QTY/Carton: 50PC

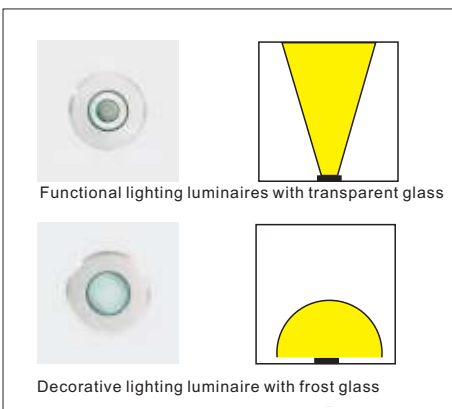


MATERIALS/FINISHES:

Structure material: Stainless steel 304/316
Trim material: Stainless steel 304/316

Diffuser Material: Toughened temper glass

SAMPLE FOR STICK LABELS:



Product Description **YOUR LOGO®**
1W LED UNDERWATER LIGHT

Color Temp 3000K	Protection IP68
Power Supply 12V/24V AC/DC	Power Rate 1W

Product Part #: xxxxxxxx

+86 574 62805278
+86 574 62805277
sales@schtlite.com
www.schtlite.com

#49, Changxin Road, Yuyao City, Ningbo Of Zhejiang, China

Stick Label of box & carton

1W LED UNDERWATER LIGHT **YOUR LOGO®**

Product Part #: xxxxxxxx

Power: 1W	Input: 12V/24V AC/DC, 50-60Hz	Protection: IP68
-----------	-------------------------------	------------------

Stick Label of Lamp Body

ENERGY LABEL

Energy Class: A++	Power: 1W	Beam Angle: 105 degree	Color Temperature: 3000K	Environmental Humidity: 0%~95%	Minimum luminous flux: 90lm	Environmental Temperature: -20°C~60°C
--------------------------	------------------	-------------------------------	---------------------------------	---------------------------------------	------------------------------------	--

Not dimmable LED in warm white

Energy Consumption Label

SCHTLITE LIGHT CO., LIMITED

Office and Factory
#49, Changxin Road, Yuyao City, Ningbo Of Zhejiang, China
Tel: +86-574-62805278 Fax: +86-574-62805277
Email: sales@schtlite.com

service at alibaba.com
we have our website at alibaba.com for all of our outdoor series of lighting with the page : peterlamps.en.alibaba.com



For installation of LED Underwater Buried Type
Model : UW9100SPA/R3W



DESCRIPTION:

Underwater buried designed for ground surface installation. Stainless steel body and trim, toughened temper glass as its' diffuser, and Available in different watts by LEDs 3W.

Trim cover stainless steel 304 as its standard, to be ordered stainless 316 else. Beam angle optional: 10° /20° /30° /45° /60° /120°

TECHNICAL CHARACTERISTICS:

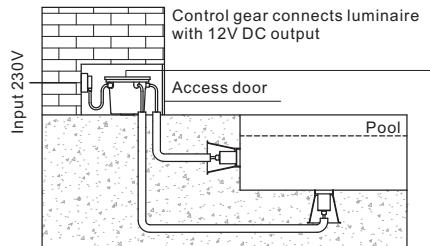
Type: LED Underwater Type
IP Protection degrees: IP68
Safety Class: Class-III
Working Temperature: -35°C ~ +65°C
Voltage/Frequency: 12V/24V AC/DC



LED SPECIFICATIONS:

Item No.: UW9100SPA/R3W
LEDs: EPISTAR 3LEDs,3W
LED Source: 3000K/4000K,CRI>80,185lm

MOUNTING ILLUSTRATION:



PACKING DETAILS:

Carton Size: 42*42*29cm
Gross Weight (Kg): ---Kg
QTY/Carton: 24PC



MATERIALS/FINISHES:

Structure material: Stainless steel 304
Trim material: Stainless steel 304

Diffuser Material: Toughened temper glass

SAMPLE FOR STICK LABELS:

Product Description **YOUR LOGO®**
3W LED UNDERWATER LIGHT

Color Temp 3000K	Protection IP68
Power Supply 12V/24V AC/DC	Power Rate 3W

Product Part #: xxxxxxxx

+86 574 62805278
+86 574 62805277
sales@schtlite.com
www.schtlite.com

#49, Changxin Road, Yuyao City, Ningbo Of Zhejiang, China

Stick Label of box & carton

3W LED UNDERWATER LIGHT **YOUR LOGO®**
Product Part #: xxxxxxxx
Power: 3W | Input: 12V/24V AC/DC, 50-60Hz | Protection: IP68

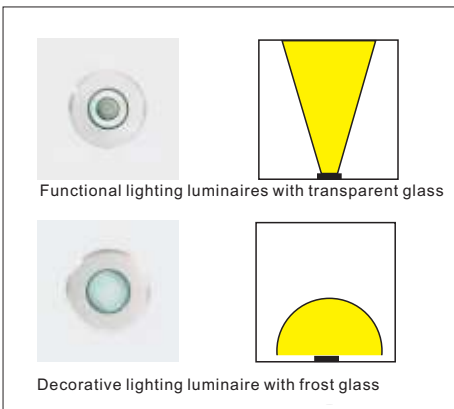
Stick Label of Lamp Body

ENERGY LABEL

Efficiency Class: A++	Power Factor: ≥ 0.9	Beam Angle: 105 degree	Max LED Watt: 3W	Color Temperature: 3000K	Environmental Humidity: 0%~95%	Minimum luminous flux: 185lm	Environmental Temperature: -20°C~60°C
------------------------------	--------------------------	------------------------	------------------	--------------------------	--------------------------------	------------------------------	---------------------------------------

Not dimmable LED in warm white

Energy Consumption Label



SCHTLITE LIGHT CO., LIMITED

Office and Factory
#49, Changxin Road, Yuyao City, Ningbo Of Zhejiang, China
Tel: +86-574-62805278 Fax: +86-574-62805277
Email: sales@schtlite.com

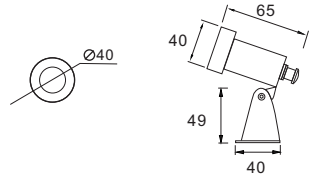
service at alibaba.com
we have our website at alibaba.com
for all of our outdoor series of lighting
with the page : peterlamps.en.alibaba.com



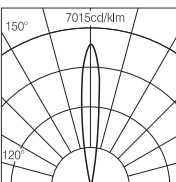

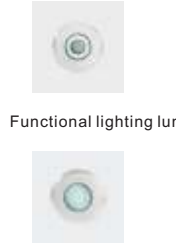
For installation of LED Ground Mounted Spot Light by stainless steel
Model : UWS9040TUN/1W




UWS9040TUN/1W



h (m)	D (m)	E max (lx)	E _m (lx)
12	2.10	11	9
10	1.75	16	13
8	1.40	25	21
6	1.05	44	37
4	0.70	99	83
2	0.35	396	330

Functional lighting luminaires with transparent glass

Decorative lighting luminaire with frost glass

DESCRIPTION:

Underwater spot designed for ground surface installation.
Stainless steel body and trim, toughened temper glass as its' diffuser ,

Trim cover stainless steel 304 as its standard , to be ordered stainless 316 else.
Beam angle optional : 10° /20° /30° /45° /60°

TECHNICAL CHARACTERISTICS:

Type: LED Underwater Type
IP Protection degrees: IP68
Safety Class : Class-III
Working Temperature : -35°C ~ +65°C
Voltage/Frequency : 12V/24V AC/DC



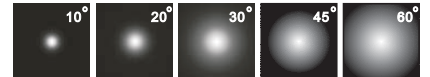
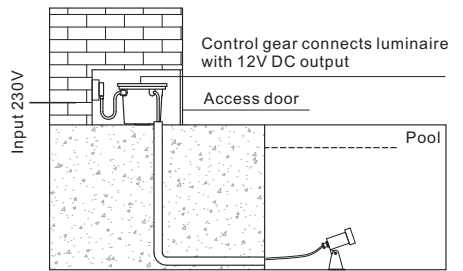
LED SPECIFICATIONS:

Item No.: UWS9040TUN/1W
LEDs: EPISTAR 1LEDs,1W
LED Source : 3000K/4000K,CRI≥80,85lm

PACKING DETAILS:

Carton Size: 52*48*29cm
Gross Weight (Kg) : ---Kg
QTY/Carton : 50PC

MOUNTING ILLUSTRATION :



MATERIALS/FINISHES:

Structure material: Stainless steel 304
Trim material: Stainless steel 304

Diffuser Material:
Toughened temper glass

SAMPLE FOR STICK LABELS:

Product Description **YOUR LOGO®**

1W LED UNDERWATER LIGHT

Color Temp 3000K	Protection IP68
Power Supply 12V/24V AC/DC	Power Rate 1W

Product Part #: xxxxxxxx

#49, Changxin Road, Yuyao City, Ningbo Of Zhejiang, China

Stick Label of box & carton

1W LED UNDERWATER LIGHT **YOUR LOGO®**

Product Part #: xxxxxxxx

Power: 1W	Input: 12V AC/DC, 50-60Hz	Protection: IP68
-----------	---------------------------	------------------

Stick Label of Lamp Body

Energy Consumption Label

Not dimmable LED in warm white	A++	LED	CRI
	A+		
	A	≥80	2.7 kwh/1000h
	B	105 degree	Beam Angle
	C	1W	Max LED Watt
	D	3000K	Color Temperature
	E	0%~95%	Environmental Humidity
		85lm	Minimum luminous flux
		-20°C~60°C	Environmental Temperature

Energy Consumption Label

SCHTLITE LIGHT CO., LIMITED

Office and Factory
#49, Changxin Road, Yuyao City, Ningbo Of Zhejiang, China
Tel: +86-574-62805278 Fax: +86-574-62805277
Email: sales@schtlite.com

service at alibaba.com
we have our website at alibaba.com for all of our outdoor series of lighting with the page : peterlamps.en.alibaba.com



4.1. LED FLOOD & SPOT LIGHT.AL



BELGRADE



BAVARIA



COAT



FARO



MEXICO



URANUS



LINEAR(220V)



GREAT WALL(12/24V)

4.2. LED FLOOD & SPOT LIGHT.ST



TINK95



For installation of LED Spot Ground Spike Light
Model : SPL9090BVR/R , SPL9130BVR/R

IP65



DESCRIPTION:

Ground Spot light designed for ground surface installation.
Die cast aluminum body and toughened temper Glass as its' diffuser ,

Available in various finishes : white , grey, black ,etc.,

TECHNICAL CHARACTERISTICS:

Type: LED Spot Spike Type
IP Protection degrees: IP65
Safety Class : Class-I
Working Temperature : -35°C ~ +65°C
Voltage/Frequency : 110-240V AC ,50/60HZ



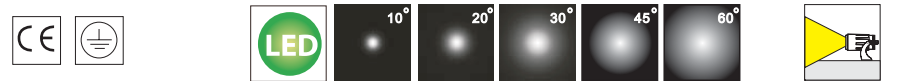
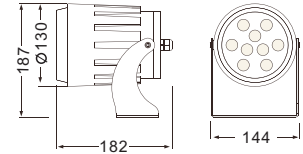
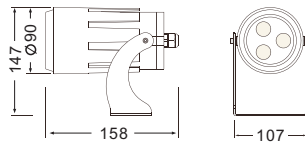
LED SPECIFICATIONS:

Item No.: SPL9090BVR/R
LEDs: CREE 3LED, 9W ,710lm
LED Source : 3000K/4000K,CRI≥80

Item No.: SPL9130BVR/R
LEDs: CREE 9LED, 27W ,2230lm
LED Source : 3000K/4000K,CRI≥80

Box Size/Unit : 41*27*20.5cm
Gross Weight (kg) : ---Kg/4PC

Box Size/Unit : 45*36*25cm
Gross Weight (kg) : ---Kg/4PC



MATERIALS/FINISHES:

Structure material: Die-casting aluminium
Structure finish: Grey, White, Black, Silver

Diffuser Material:
Toughened temper glass

SAMPLE FOR STICK LABELS:

Product Description **YOUR LOGO®**
9W LED SPOT LIGHT

Color Temp 3000K	Protection IP65
Power Supply 100-240V AC, 50-60Hz	Power Rate 9W

Product Part #: xxxxxxxx

+86 574 62805278
+86 574 62805277
sales@schtlite.com
www.schtlite.com

#49, Changxin Road, Yuyao City, Ningbo Of Zhejiang, China

Stick Label of box & carton

9W LED SPOT LIGHT **YOUR LOGO®**
Product Part #: xxxxxxxx

Power: 9W	Input: 100-240V AC, 50-60Hz	Protection: IP65
-----------	-----------------------------	------------------

Stick Label of Lamp Body

ENERGY LABEL
энергия - энергия

Class: A++	Min. lumen flux: ≥80	CR1
Power: 9W	Beam Angle: 105 degree	Max LED Watt
Color Temp: 3000K	Environmental Humidity: 0%~95%	Minimum luminous flux
Dimmable: Not dimmable	Environmental Temperature: -20°C~60°C	

Energy Consumption Label

SCHTLITE LIGHT CO., LIMITED

Office and Factory
#49, Changxin Road, Yuyao City ,Ningbo Of Zhejiang ,China
Tel: +86-574-62805278 Fax: +86-574-62805277
Email : sales@schtlite.com

service at alibaba.com
we have our website at alibaba.com
for all of our outdoor series of lighting
with the page :
peterlamps.en.alibaba.com



For installation of LED Spot Ground Spike Light
Model : UA9103BGD/SK , UA9103BGD/MT

IP65



DESCRIPTION:

Ground Spot light designed for ground surface installation.
Die cast aluminum body and toughened temper Glass as its' diffuser ,

Available in various finishes : white , grey, black ,etc.,

TECHNICAL CHARACTERISTICS:

Type: LED Spot Spike Type
IP Protection degrees: IP65
Safety Class : Class-I
Working Temperature : -35℃ ~ +65℃
Voltage/Frequency : 110-240V AC ,50/60HZ



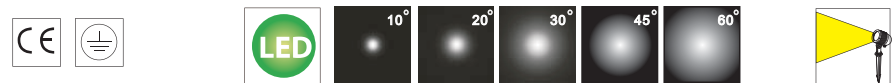
LED SPECIFICATIONS:

Item No.: UA9103BGD/SK
LEDs: EPISTAR 6LEDs,6W
LED Source : 3000K/4000K,CRI≥80,450lm



PACKING DETAILS:

Carton Size: ---cm
Gross Weight (Kg): ---Kg
QTY/Carton : ---PC

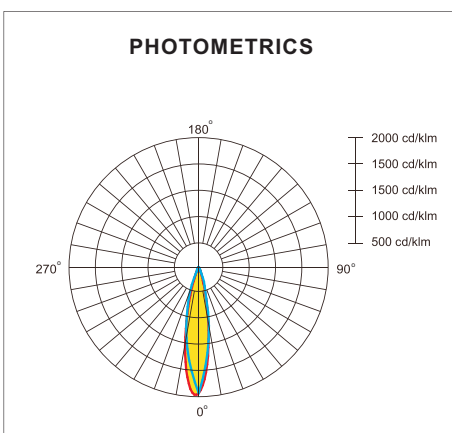


MATERIALS/FINISHES:

Structure material: Die-casting aluminium
Structure finish: Grey, White, Black, Silver

Diffuser Material:
Toughened temper glass

SAMPLE FOR STICK LABELS:



Product Description **YOUR LOGO®**
6W LED SPOT LIGHT

Color Temp 3000K	Protection IP54
Power Supply 100-240V AC, 50-60Hz	Power Rate 6W

Product Part #: xxxxxxxx

+86 574 62805278
+86 574 62805277
sales@schtlite.com
www.schtlite.com

#49, Changxin Road, Yuyao City, Ningbo Of Zhejiang, China

6W LED SPOT LIGHT **YOUR LOGO®**
Product Part #: xxxxxxxx

Power: 6W	Input: 100-240V AC, 50-60Hz	Protection: IP54
-----------	-----------------------------	------------------

Stick Label of Lamp Body

ENERGY LABEL
энергия - everywhere

LED	≥80	CRI
LED in warm white	2.7	kwh/1000h
	105 degree	Beam Angle
	6W	Max LED Watt
	3000K	Color Temperature
	0%~95%	Environmental Humidity
	450lm	Minimum luminous flux
	-20℃~60℃	Environmental Temperature

Energy Consumption Lable

Stick Label of box & carton

SCHTLITE LIGHT CO., LIMITED

Office and Factory
#49, Changxin Road, Yuyao City ,Ningbo Of Zhejiang ,China
Tel: +86-574-62805278 Fax: +86-574-62805277
Email : sales@schtlite.com

service at alibaba.com
we have our website at alibaba.com
for all of our outdoor series of lighting
with the page :
peterlamps.en.alibaba.com



For installation of LED Spot Ground Spike Light
Model : UA5100COT/SK15 , UA9100COT/K3W

IP65



DESCRIPTION:

Spot Ground Spike light designed for ground installation.
Extruded aluminum body and toughened temper Glass as its' diffuser ,

Available in various finishes : white , grey, black ,etc.,

TECHNICAL CHARACTERISTICS:

Type: LED Spot Spike Type

IP Protection degrees: IP65

Safety Class : Class-I

Working Temperature : -35℃ ~ +65℃

Voltage/Frequency : 100-240V AC ,50/60HZ



LED SPECIFICATIONS:

Item No.: UA5100COT/SK15

LEDs: SMD 15LEDs,1.5W

LED Source : 3000K/4000K,CRI≥70,60lm

Item No.: UA9100COT/SK3W

LEDs: CREE 3LEDs,3W

LED Source : 3000K/4000K,CRI≥70,240lm

PACKING DETAILS:

Carton Size: 32.3*22.2*37.4cm

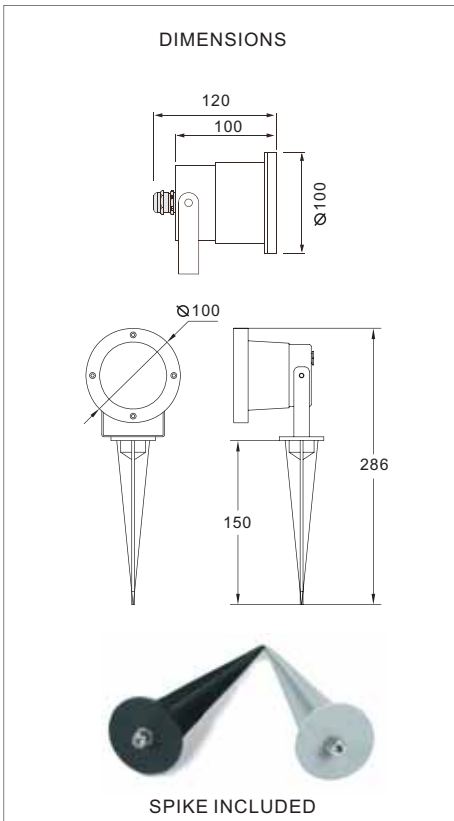
Gross Weight (Kg) : ---Kg

QTY/Carton : 12PC

Carton Size: 32.3*22.2*37.4cm

Gross Weight (Kg) : ---Kg

QTY/Carton : 12PC



MATERIALS/FINISHES:

Structure material: Ex-truded aluminum
Structure finish: Grey, White, Black, Silver

Diffuser Material:
Toughened temper glass

SAMPLE FOR STICK LABELS:

Product Description **YOUR LOGO®**

3W LED SPOT LIGHT

Color Temp 3000K	Protection IP65
Power Supply 100-240V AC, 50-60Hz	Power Rate 3W

Product Part #: xxxxxxxx

+86 574 62805278
+86 574 62805277
sales@schtlite.com
www.schtlite.com

#49, Changxin Road, Yuyao City, Ningbo Of Zhejiang, China

Stick Label of box & carton

3W LED SPOT LIGHT **YOUR LOGO®**

Product Part #: xxxxxxxx

Power: 3W	Input: 100-240V AC, 50-60Hz	Protection: IP65
-----------	-----------------------------	------------------

Stick Label of Lamp Body

ENERGY LABEL

Not dimmable LED in warm white

A++	A+	A	B	C	D	E
-----	----	---	---	---	---	---

LED

≥70	CRI
2.7	kwh/1000h
105 degree	Beam Angle
3W	Max LED Watt
3000K	Color Temperature
0%~95%	Environmental Humidity
240 lm	Minimum luminous flux
-20℃~60℃	Environmental Temperature

Energy Consumption Lable

SCHTLITE LIGHT CO., LIMITED

Office and Factory
#49, Changxin Road, Yuyao City, Ningbo Of Zhejiang, China
Tel: +86-574-62805278 Fax: +86-574-62805277
Email : sales@schtlite.com

service at alibaba.com
we have our website at alibaba.com
for all of our outdoor series of lighting
with the page :
peterlamps.en.alibaba.com

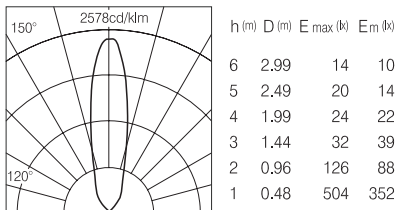
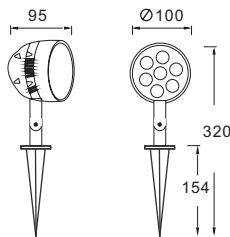


For installation of LED Spot Ground Spike Light
Model : UA9100FAR/SK9W/7

IP65



UA9100FAR/SK9W/7



DESCRIPTION:

Ground Spot light designed for ground surface installation. Die cast aluminum body and toughened temper Glass as its' diffuser, Available in various finishes : white , grey, black ,etc.,

(LED watts 5W, 6W ,7W available as optional)

TECHNICAL CHARACTERISTICS:

Type: LED Spot Spike Type
IP Protection degrees: IP65
Safety Class : Class-I
Working Temperature : -35℃ ~ +65℃
Voltage/Frequency : 100-240V AC ,50/60HZ

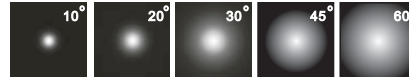


LED SPECIFICATIONS:

Item No.: UA9100FAR/SK9W/7
LEDs: EPISTAR 7LEDs,9W
LED Source : 3000K/4000K,CRI≥70,630lm

PACKING DETAILS:

Carton Size: 57*38*35cm
Gross Weight (Kg) : 17Kg
QTY/Carton : 15PC



MATERIALS/FINISHES:

Structure material: Die-casting aluminium
Structure finish: Grey, White, Black, Silver

Diffuser Material: Toughened temper glass

SAMPLE FOR STICK LABELS:

Product Description **YOUR LOGO®**
9W LED SPOT LIGHT

Color Temp 3000K	Protection IP65
Power Supply 100-240V AC, 50-60Hz	Power Rate 9W

Product Part #: xxxxxxxx

+86 574 62805278
+86 574 62805277
sales@schtlite.com
www.schtlite.com

#49, Changxin Road, Yuyao City, Ningbo Of Zhejiang, China

Stick Label of box & carton

7W LED UNDERWATER LIGHT **YOUR LOGO®**
Product Part #: xxxxxxxx
Power: 7W | Input: 100-240V AC, 50-60Hz | Protection: IP65

Stick Label of Lamp Body

ENERGY CLASSIFICATION
A++ A+ A B C D E

LED in warm white

Not dimmable

LED

≥70 CRI
2.7 kwh/1000h
105 degree Beam Angle
9W Max LED Watt
3000K Color Temperature
0%~95% Environmental Humidity
630lm Minimum luminous flux
-20℃~60℃ Environmental Temperature

Energy Consumption Label

SCHTLITE LIGHT CO., LIMITED

Office and Factory
#49, Changxin Road, Yuyao City, Ningbo Of Zhejiang, China
Tel: +86-574-62805278 Fax: +86-574-62805277
Email : sales@schtlite.com

service at alibaba.com
we have our website at alibaba.com for all of our outdoor series of lighting with the page : peterlamps.en.alibaba.com



For installation of Wall & Ground Surface Mounted Light
 Model : FWT9037GWL/Q500 , FWT9037GWL/R500

IP65



DESCRIPTION:

Wall & Ground Wash & Spot light designed for ground surface installation. Extruded aluminum body and toughened temper Glass as its' diffuser ,

Available in various finishes : white , grey, black ,etc.,

TECHNICAL CHARACTERISTICS:

Type: LED Wall Washer Type
 IP Protection degrees: IP67
 Safety Class : Class-III
 Working Temperature : -35°C ~ +65°C
 Voltage/Frequency : 24V DC ,50/60HZ

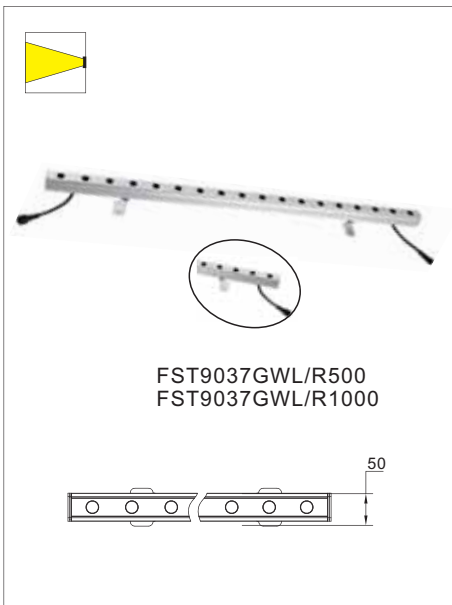


LED SPECIFICATIONS:

Item No.: FWT9037GWL/R500 FWT9037GWL/Q500	Item No.: FWT9037GWL/R1M FWT9037GWL/Q1M
LEDs: CREE 12LEDs,9W	LEDs: CREE 24LEDs,18W
LED Source : 3000K/4000K,CRI≥70,950lm	LED Source : 3000K/4000K,CRI≥70,1900lm

PACKING DETAILS:

Carton Size: 50*7.3*3.7cm	Carton Size: 100*7.3*3.7cm
Gross Weight (Kg): ---Kg	Gross Weight (Kg): ---Kg
QTY/Carton : 4PC	QTY/Carton : 4PC



MATERIALS/FINISHES:

Structure material: Ex-truded aluminum
Structure finish: Grey, White, Black, Silver
Diffuser Material: Toughened temper glass

SAMPLE FOR STICK LABELS:

Product Description **YOUR LOGO®**
9W LED SPOT LIGHT

Color Temp 3000K	Protection IP67
Power Supply 24V DC, 50-60Hz	Power Rate 9W

Product Part #: xxxxxxx

+86 574 62805278
 +86 574 62805277
 sales@schtlite.com
 www.schtlite.com

#49, Changxin Road, Yuyao City ,Ningbo Of Zhejiang, China

Stick Label of box & carton

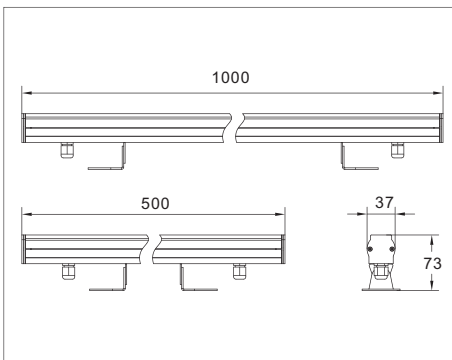
9W LED SPOT LIGHT **YOUR LOGO®**
 Product Part #: xxxxxxx
 Power: 18W | Input: 24V DC,50-60Hz | Protection: IP67

Stick Label of Lamp Body

ENERGY LABEL
 неэнергия - энергия

≥70	CRI
2.7	kwh/1000h
105 degree	Beam Angle
9W	Max LED Watt
3000K	Color Temperature
0%~95%	Environmental Humidity
950 lm	Minimum luminous flux
-20°C~60°C	Environmental Temperature

Energy Consumption Lable



SCHTLITE LIGHT CO., LIMITED

Office and Factory
 #49, Changxin Road, Yuyao City ,Ningbo Of Zhejiang ,China
 Tel:+86-574-62805278 Fax:+86-574-62805277
 Email : sales@schtlite.com

service at alibaba.com
 we have our website at alibaba.com for all of our outdoor series of lighting with the page :
peterlamps.en.alibaba.com

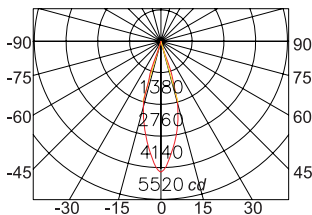
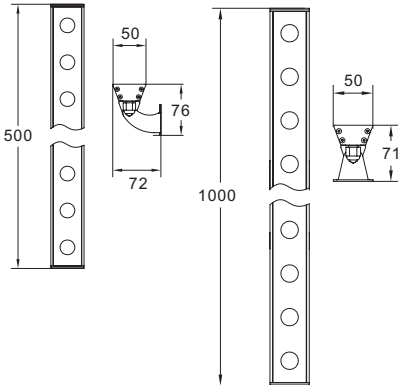


For installation of Wall & Ground Surface Mounted Light
 Model : FWT9050GWL/L500 , FWT9050GWL/L1M

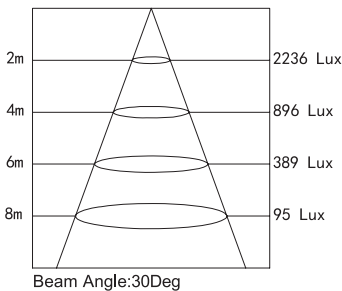
IP65



FWT9050GWL/L500
 FWT9050GWL/L1M



Lux-Distance Curve



DESCRIPTION:

Wall & Ground Wash & Spot light designed for ground surface installation. Extruded aluminum body and toughened temper Glass as its' diffuser ,

Available in various finishes : white , grey, black ,etc.,

TECHNICAL CHARACTERISTICS:

Type: LED Wall Washer Type
 IP Protection degrees: IP67
 Safety Class : Class-III
 Working Temperature : -35°C ~ +65°C
 Voltage/Frequency : 24V DC ,50/60HZ

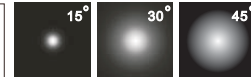


LED SPECIFICATIONS:

Item No.:	FWT9050GWL/L500	Item No.:	FWT9050GWL/L1M
LEDs:	CREE 12LEDs,18W	LEDs:	CREE 24LEDs,36W
LED Source :	3000K/4000K,CRI≥70,1400lm	LED Source :	3000K/4000K,CRI≥70,2800lm

PACKING DETAILS:

Carton Size:	50*7.1*5cm	Carton Size:	100*7.1*5cm
Gross Weight (Kg) :	---Kg	Gross Weight (Kg) :	---Kg
QTY/Carton :	4PC	QTY/Carton :	4PC



MATERIALS/FINISHES:

Structure material: Ex-truded aluminum Diffuser Material: Toughened temper glass
 Structure finish: Grey, White, Black, Silver

SAMPLE FOR STICK LABELS:

Product Description **YOUR LOGO®**
18W LED SPOT LIGHT

Color Temp 3000K	Protection IP67
Power Supply 24V DC, 50-60Hz	Power Rate 18W

Product Part #: xxxxxxx

+86 574 62805278
 +86 574 62805277
 sales@schtlite.com
 www.schtlite.com

#49, Changxin Road, Yuyao City, Ningbo Of Zhejiang, China

Stick Label of box & carton

18W LED SPOT LIGHT YOUR LOGO®
 Product Part #: xxxxxxx

Power: 18W	Input: 24V DC, 50-60Hz	Protection: IP67
------------	------------------------	------------------

Stick Label of Lamp Body

Not dimmable LED in warm white	A++	LED	ENERGY LABEL энергия - эффективна
	A+		
	A		
	B		
	C		
D	≥70 CRI 2.7 kwh/1000h 105 degree Beam Angle 18W Max LED Watt 3000K Color Temperature 0%~95% Environmental Humidity 1400lm Minimum luminous flux -20°C~60°C Environmental Temperature		
E			

Energy Consumption Label

SCHTLITE LIGHT CO., LIMITED

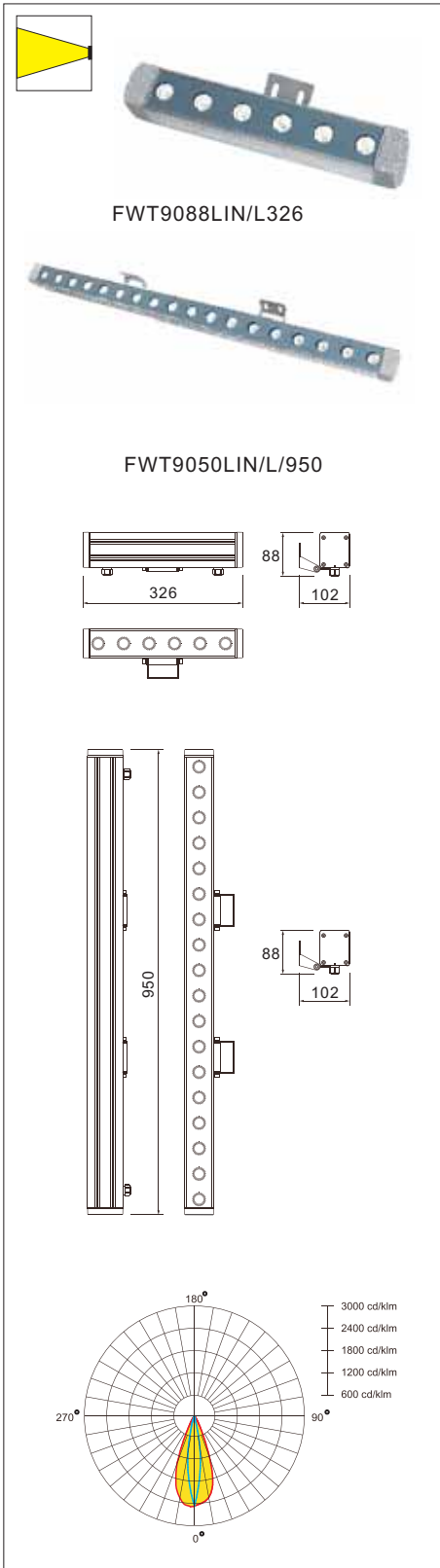
Office and Factory
 #49, Changxin Road, Yuyao City, Ningbo Of Zhejiang, China
 Tel: +86-574-62805278 Fax: +86-574-62805277
 Email : sales@schtlite.com

service at alibaba.com
 we have our website at alibaba.com for all of our outdoor series of lighting with the page :
peterlamps.en.alibaba.com



For installation of Wall & Ground Surface Mounted Light
Model : FWT9088LIN/L326 , FWT9088LIN/L950

IP65



DESCRIPTION:

Wall & Ground Wash & Spot light designed for ground surface installation. Extruded aluminum body and toughened temper Glass as its' diffuser ,

Available in various finishes : white , grey, black ,etc.,

TECHNICAL CHARACTERISTICS:

Type: LED Wall Washer Type
IP/IK Protection degrees: IP67/IK08
Safety Class : Class-I
Working Temperature : -35℃ ~ +65℃
Voltage/Frequency : AC 100-240V ,50/60HZ



LED SPECIFICATIONS:

Item No.: FWT9088LIN/L326
LEDs: CREE 6LEDs,13W
LED Source : 3000K/4000K,CRI≥70,1080lm
Box Size/Unit : 41*19.5*22cm
Gross Weight (kg) : ---Kg/4PC

Item No.: FWT9050LIN/L950
LEDs: CREE 18LEDs,40W
LED Source : 3000K/4000K,CRI≥70,3240lm
Box Size/Unit : 13.5*19.5*22cm
Gross Weight (kg) : ---Kg/4PC



MATERIALS/FINISHES:

Structure material: Ex-truded aluminum
Structure finish: Grey, White, Black, Silver
Diffuser Material: Toughened temper glass

SAMPLE FOR STICK LABELS:

Product Description **YOUR LOGO®**
13W LED WASHER LIGHT

Color Temp 3000K	Protection IP67
Power Supply AC 100-240V, 50-60Hz	Power Rate 13W

Product Part #: xxxxxxxx

+86 574 62805278
+86 574 62805277
sales@schtlite.com
www.schtlite.com

#49, Changxin Road, Yuyao City, Ningbo Of Zhejiang, China

13W LED SPOT LIGHT YOUR LOGO®
Product Part #: xxxxxxxx

Power: 13W	Input: 100-240V AC, 50-60Hz	Protection: IP67
------------	-----------------------------	------------------

Stick Label of Lamp Body

Energy Consumption Label

Energy Class: A++	LED in warm white	Not dimmable
CR1 ≥70	2.7 kwh/1000h	105 degree Beam Angle
13W Max LED Watt	3000K Color Temperature	0%~95% Environmental Humidity
1080lm Minimum luminous flux	-20℃~60℃ Environmental Temperature	

SCHTLITE LIGHT CO., LIMITED

Office and Factory
#49, Changxin Road, Yuyao City ,Ningbo Of Zhejiang ,China
Tel: +86-574-62805278 Fax: +86-574-62805277
Email : sales@schtlite.com

service at alibaba.com
we have our website at alibaba.com for all of our outdoor series of lighting with the page : peterlamps.en.alibaba.com



For installation of LED Spot Ground Spike Light
Model : UA9065MEX/DT80 , UA9065MEX/DT120

IP65



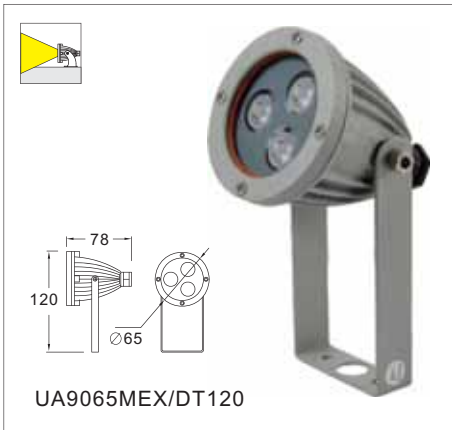
DESCRIPTION:

Spot Ground Spike light designed for ground installation.
Extruded aluminum body and toughened temper Glass as its' diffuser ,

Available in various finishes : white , grey, black ,etc.,

TECHNICAL CHARACTERISTICS:

Type: LED Spot Spike Type
IP Protection degrees: IP67
Safety Class : Class-III
Working Temperature : -35℃ ~ +65℃
Voltage/Frequency : 12/24V AC/DC ,50/60HZ



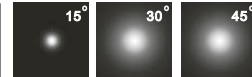
LED SPECIFICATIONS: 12/24V AC/DC

Item No.: UA9065MEX/DT80
LEDs: CREE 3LEDs,6W
LED Source : 3000K/4000K,CRI≥80,480lm

Item No.: UA9065MEX/CL136
LEDs: CREE 3LEDs,6W
LED Source : 3000K/4000K,CRI≥80,480lm

Item No.: UA9065MEX/DT120
LEDs: CREE 3LEDs,6W
LED Source : 3000K/4000K,CRI≥80,480lm

Box Size/Unit : 13.5*19.5*22cm
Gross Weight (kg) : ---Kg/4PC



MATERIALS/FINISHES:

Structure material: Die cast aluminum
Structure finish: Grey, White, Black, Silver

Diffuser Material:
Anti-UV PMMA/Temper Glass

SAMPLE FOR STICK LABELS:

Product Description **YOUR LOGO®**
6W LED SPOT LIGHT

Color Temp 3000K	Protection IP67
Power Supply 12/24V AC/DC	Power Rate 6W

Product Part #: xxxxxxxx

+86 574 62805278
+86 574 62805277
sales@schtlite.com
www.schtlite.com

#49, Changxin Road, Yuyao City, Ningbo Of Zhejiang, China

Stick Label of box & carton

6W LED LED SPOT LIGHT **YOUR LOGO®**
Product Part #: xxxxxxxx

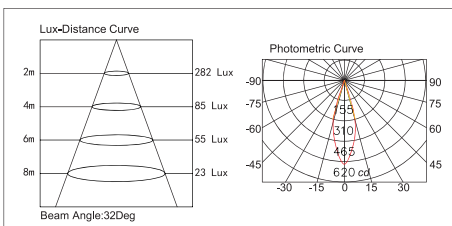
Power: 6W	Input: 12V/24 AC/DC, 50-60Hz	Protection: IP67
-----------	------------------------------	------------------

Stick Label of Lamp Body

ENERGY LABEL
энергия - энергия

Not dimmable LED in warm white	A++	≥70	CRI
	A+	2.7	kwh/1000h
	A	105 degree	Beam Angle
	B	6W	Max LED Watt
	C	3000K	Color Temperature
	D	0%~95%	Environmental Humidity
E	480 lm	Minimum luminous flux	
		-20℃~60℃	Environmental Temperature

Energy Consumption Lable



SCHTLITE LIGHT CO., LIMITED

Office and Factory
#49, Changxin Road, Yuyao City ,Ningbo Of Zhejiang ,China
Tel: +86-574-62805278 Fax: +86-574-62805277
Email : sales@schtlite.com

service at alibaba.com
we have our website at alibaba.com
for all of our outdoor series of lighting
with the page :
peterlamps.en.alibaba.com



For installation of LED Spot Ground Spike Light
Model : UA9065MEX/MT , UA9065MEX/SK

IP65



DESCRIPTION:

Spot Ground Spike light designed for ground installation.
Extruded aluminum body and toughened temper Glass as its' diffuser ,

Available in various finishes : white , grey, black ,etc.,

TECHNICAL CHARACTERISTICS:

Type: LED Spot Spike Type
IP Protection degrees: IP67
Safety Class : Class-I/III
Working Temperature : -35℃ ~ +65℃
Voltage/Frequency : 100-240V AC,50/60HZ
12/24V AC/DC

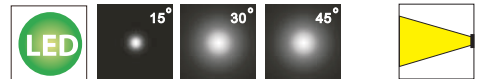


LED SPECIFICATIONS:

Item No.:	UA9065MEX/MT	Item No.:	UA9065MEX/SK
LEDs:	CREE 3LEDs,6W	LEDs:	CREE 3LEDs,6W
LED Source :	3000K/4000K,CRI≥70,480lm	LED Source :	3000K/4000K,CRI≥70,480lm
Voltage/Frequency :	12/24V AC/DC	Voltage/Frequency :	100-240V AC ,50/60HZ

PACKING DETAILS:

Carton Size:	---cm	Carton Size:	---cm
Gross Weight (Kg):	---Kg	Gross Weight (Kg):	---Kg
QTY/Carton :	---PC	QTY/Carton :	---PC



MATERIALS/FINISHES:

Structure material: Die cast aluminum
Structure finish: Grey, White, Black, Silver
Diffuser Material: Anti-UV PMMA/Temper Glass

SAMPLE FOR STICK LABELS:

Product Description **YOUR LOGO®**

6W LED SPOT LIGHT

Color Temp 3000K	Protection IP67
Power Supply 12/24V AC/DC	Power Rate 6W

Product Part #: xxxxxxxx

+86 574 62805278
+86 574 62805277
sales@schtlite.com
www.schtlite.com

#49, Changxin Road, Yuyao City, Ningbo Of Zhejiang, China

Stick Label of box & carton

6W LED LED SPOT LIGHT **YOUR LOGO®**

Product Part #: xxxxxxxx

Power: 6W	Input: 12V/24 AC/DC,50-60Hz	Protection: IP67
-----------	-----------------------------	------------------

Stick Label of Lamp Body

ENERGY LABEL

Not dimmable LED in warm white

A++	≥70	CRI
A+	2.7	kwh/1000h
A	105 degree	Beam Angle
B	6W	Max LED Watt
C	3000K	Color Temperature
D	0%~95%	Environmental Humidity
E	480 lm	Minimum luminous flux
	-20℃~60℃	Environmental Temperature

Energy Consumption Lable

SCHTLITE LIGHT CO., LIMITED

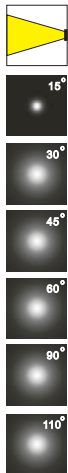
Office and Factory
#49, Changxin Road, Yuyao City ,Ningbo Of Zhejiang ,China
Tel:+86-574-62805278 Fax:+86-574-62805277
Email : sales@schtlite.com

service at alibaba.com
we have our website at alibaba.com
for all of our outdoor series of lighting
with the page :
peterlamps.en.alibaba.com



For installation of LED Spot Flood & Bay Light
Model : FL30290URS

IP67



FL30290URS30W/LQ1
FL30290URS40W/LQ1
FL30290URS50W/LQ1
FL30290URS60W/LQ1



FL30290URS80W/LQ2
FL30290URS100W/LQ1
FL30290URS120W/LQ1



FL30290URS150W/LQ3
FL30290URS180W/LQ3



FL30290URS200W/LQ4
FL30290URS240W/LQ4

DESCRIPTION:

Designed for using as lights of Spot Flood , HighBay / LowBay, Tunnel, which IP68 LED Module as its lighting source ; Extruded aluminum body .

LED is made of PHILIPS Lumileds 3030 or 5050 (high efficiency).
Available in various finishes : white , grey, black ,etc.,

TECHNICAL CHARACTERISTICS:

Type:  LED Flood & Bay Mounted Type

IP Protection : IP68 (LED PART)

Working Temperature : -25°C ~ +65°C

Safety Class : Class-I

Voltage/Frequency : 100-240V AC,50/60HZ

LED SPECIFICATIONS: (Q1,105lm±5/W /LED3030)

Item No.: **FL30290URS30W/LQ1**

Item No.: **FL30290URS40W/LQ1**

LEDs: Phillips Lumileds 3030 45LEDs,30W

LEDs: Phillips Lumileds 3030 45LEDs,40W

Item No.: **FL30290URS50W/LQ1**

LEDs: Phillips Lumileds 3030 63LEDs,50W

3000/4000K/5700K ,CRI≥70

Item No.: **FL30290URS80W/LQ2**

LEDs: Phillips Lumileds 3030 2*45LEDs,80W

Item No.: **FL30290URS100W/LQ2**

LEDs: Phillips Lumileds 3030 2*63LEDs,100W

Item No.: **FL30290URS120W/LQ2**

LEDs: Phillips Lumileds 3030 2*63LEDs,120W

3000/4000K/5700K ,CRI≥70

Item No.: **FL30290URS150W/LQ3**

LEDs: Phillips Lumileds 3030 3*63LEDs,150W

Item No.: **FL30290URS180W/LQ3**

LEDs: Phillips Lumileds 3030 3*63LEDs,180W

Item No.: **FL30290URS200W/LQ4**

LEDs: Phillips Lumileds 3030 4*63LEDs,200W

Item No.: **FL30290URS240W/LQ4**

LEDs: Phillips Lumileds 3030 4*63LEDs,240W



MATERIALS/FINISHES:

Structure material: Die cast aluminum
Structure finish: Grey, White, Black, Silver

Diffuser Material:
Anti-UV PMMA


Product Description **YOUR LOGO®**

80W LED SPOT FLOOD LIGHT

Color Temp 3000K	Protection IP67
Power Supply 100-240V AC, 50-60Hz	Power Rate 80W

Product Part #: xxxxxxx

+86 574 62805278
+86 574 62805277
sales@schtlite.com
www.schtlite.com



#49, Changxin Road, Yuyao City, Ningbo Of Zhejiang, China

Stick Label of box & carton

80W LED LED SPOT FLOOD LIGHT **YOUR LOGO®**

Product Part #: xxxxxxx

Power: 80W	Input: 100-240V AC, 50-60Hz	Protection: IP67
------------	-----------------------------	------------------

Stick Label of Lamp Body

Energy Consumption Label

Not dimmable LED in warm white	A++	LED	≥70	CRI	
	A+		2.7		kwh/1000h
	A		30 degree		Beam Angle
	B		80W		Max LED Watt
	C		3000K		Color Temperature
	D		0%~95%		Environmental Humidity
E	7800 lm	Minimum luminous flux			
	-20°C~60°C	Environmental Temperature			

Energy Consumption Label

SCHTLITE LIGHT CO., LIMITED

Office and Factory
#49, Changxin Road, Yuyao City, Ningbo Of Zhejiang, China
Tel: +86-574-62805278 Fax: +86-574-62805277
Email: sales@schtlite.com

service at alibaba.com
we have our website at alibaba.com for all of our outdoor series of lighting with the page :
peterlamps.en.alibaba.com



For installation of LED Spot Flood & Bay Light
Model : FL50290URS

IP67



FL50290URS30W/LQ1
FL50290URS40W/LQ1
FL50290URS50W/LQ1
FL50290URS60W/LQ1



FL50290URS80W/LQ2
FL50290URS100W/LQ1
FL50290URS120W/LQ1



FL50290URS150W/LQ3
FL50290URS180W/LQ3



FL50290URS200W/LQ4
FL50290URS240W/LQ4

DESCRIPTION:

Designed for using as lights of Spot Flood , HighBay / LowBay, Tunnel, which IP68 LED Module as its lighting source ; Extruded aluminum body .

LED is made of PHILIPS Lumileds 5050 (high efficiency).
Available in various finishes : white , grey, black , etc.,

TECHNICAL CHARACTERISTICS:

Type:  LED Flood & Bay Mounted Type

IP Protection : IP68 (LED PART)

Working Temperature : -25°C ~ +65°C

Safety Class : Class-I

Voltage/Frequency : 100-240V AC,50/60HZ

LED SPECIFICATIONS: (Q1, ≥130lm±5/W /LED5050)

Item No.: **FL50290URS30W/LQ1**

Item No.: **FL50290URS40W/LQ1**

LEDs: Phillips Lumileds 5050 18LEDs,30W

LEDs: Phillips Lumileds 5050 18LEDs,40W

Item No.: **FL50290URS50W/LQ1**

LEDs: Phillips Lumileds 5050 18LEDs,50W

3000/4000K/5700K ,CRI≥70

Item No.: **FL50290URS80W/LQ2**

LEDs: Phillips Lumileds 5050 2*18LEDs,80W

Item No.: **FL50290URS100W/LQ2**

LEDs: Phillips Lumileds 5050 2*18LEDs,100W

Item No.: **FL50290URS120W/LQ2**

LEDs: Phillips Lumileds 5050 2*18LEDs,120W

3000/4000K/5700K ,CRI≥70

Item No.: **FL50290URS150W/LQ3**

LEDs: Phillips Lumileds 5050 3*18LEDs,150W

Item No.: **FL50290URS180W/LQ3**

LEDs: Phillips Lumileds 5050 3*18LEDs,180W

Item No.: **FL50290URS200W/LQ4**

LEDs: Phillips Lumileds 5050 4*18LEDs,200W

Item No.: **FL50290URS240W/LQ4**

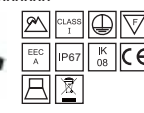
LEDs: Phillips Lumileds 5050 4*18LEDs,240W



MATERIALS/FINISHES:

Structure material: Die cast aluminum
Structure finish: Grey, White, Black, Silver

Diffuser Material:
Anti-UV PMMA

Product Description		YOUR LOGO®	
80W LED SPOT FLOOD LIGHT			
Color Temp	Protection		
3000K	IP67		
Power Supply	Power Rate		
100-240V AC, 50-60Hz	80W		
Product Part #:	xxxxxxx		
+86 574 62805278 +86 574 62805277 sales@schtlite.com www.schtlite.com			
#49, Changxin Road, Yuyao City, Ningbo Of Zhejiang, China			

Stick Label of box & carton

80W LED LED SPOT FLOOD LIGHT		YOUR LOGO®
Product Part #:	xxxxxxx	
Power: 80W	Input: 100-240V AC, 50-60Hz	Protection: IP67

Stick Label of Lamp Body

Not dimmable LED in warm white	A++	L E D ≥70 CRI 2.7 kwh/1000h 30 degree Beam Angle 80W Max LED Watt 3000K Color Temperature 0%~95% Environmental Humidity 7800 lm Minimum luminous flux -20°C~60°C Environmental Temperature
	A+	
	A	
	B	
	C	
	D	
E		

Energy Consumption Label

SCHTLITE LIGHT CO., LIMITED

Office and Factory
#49, Changxin Road, Yuyao City, Ningbo Of Zhejiang, China
Tel: +86-574-62805278 Fax: +86-574-62805277
Email: sales@schtlite.com

service at alibaba.com
we have our website at alibaba.com
for all of our outdoor series of lighting
with the page :
peterlamps.en.alibaba.com



For installation of Ground Spot & Spike Light by stainless steel
 Model : US9095TNK/MT3W , US9095TNK/SK.PC



DESCRIPTION:

Ground Spot light designed for ground surface installation.
 Stainless steel 304 body and toughened temper Glass as its' diffuser ,

TECHNICAL CHARACTERISTICS:

Type: LED Underwater Spot
 IP Protection degrees: IP68
 IK Protection degrees: IK10
 Safety Class : Class-I/II
 Voltage/Frequency : 110V/220V ,50/60HZ
 12V



LED SPECIFICATIONS:

Item No.: US9095TNKMT
 US9095TNK/SK.PC
 LEDs: EPISTAR 3LEDs,3W
 LED Source : 3000K/4000K,CRI≥80,270lm

PACKING DETAILS:

Carton Size: 57*46*36cm
 Gross Weight (Kg): ---Kg
 QTY/Carton : 40PC



MATERIALS/FINISHES:

Structure material: Stainless steel 304
 Structure finish: Stainless steel 304

Diffuser Material:

Toughened temper glass

SAMPLE FOR STICK LABELS:



Product Description **YOUR LOGO®**
3W LED SPOT LIGHT

Color Temp 3000K	Protection IP67
Power Supply 100-240V AC, 50-60Hz	Power Rate 3W

Product Part #: xxxxxxxx

+86 574 62805278
 +86 574 62805277
 sales@schtlite.com
 www.schtlite.com

#49, Changxin Road, Yuyao City, Ningbo Of Zhejiang, China

3W LED SPOT LIGHT **YOUR LOGO®**
 Product Part #: xxxxxxxx

LED 3W Max.	Input: 110-240V AC, 50-60Hz	Protection: IP67
-------------	-----------------------------	------------------

Stick Label of Lamp Body

ENERGY CLASS
 энергия - экономно

LED	≥80	CRI
LED	2.7	kwh/1000h
LED	105 degree	Beam Angle
LED	3W	Max LED Watt
LED	3000K	Color Temperature
LED	0%~95%	Environmental Humidity
LED	270lm	Minimum luminous flux
LED	-20℃~60℃	Environmental Temperature

Not dimmable
 LED in warm white

Energy Consumption Lable

Stick Label of box & carton

SCHTLITE LIGHT CO., LIMITED

Office and Factory
 #49, Changxin Road, Yuyao City, Ningbo Of Zhejiang, China
 Tel: +86-574-62805278 Fax: +86-574-62805277
 Email: sales@schtlite.com

service at alibaba.com
 we have our website at alibaba.com
 for all of our outdoor series of lighting
 with the page :
peterlamps.en.alibaba.com

